

# Product data sheet

## Power connectors

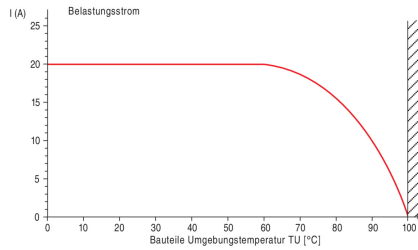


Product description	RD30 female cable connector, Contacts: 4+PE, 12.0 - 14.0 mm, unshielded, screw clamp, IP65, ESTI+, VDE
Area	RD30 series 694
Part no.	99 0710 02 05

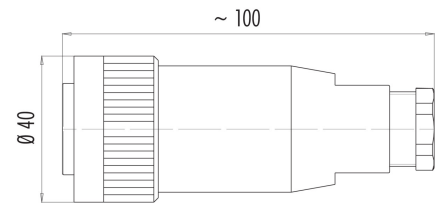
### Illustration



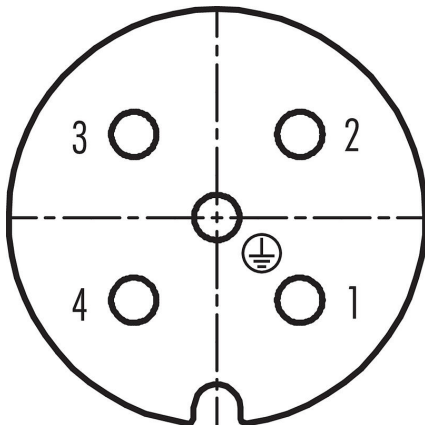
### Derating curve



### Scale drawing



### Contact arrangement (Plug-in side)



You can find the component part drawing and assembly instructions on the next page.

### Technical data

#### General features

Part no.	99 0710 02 05
Connector design	female cable connector
Version	connector female straight
Connector locking system	screw
Termination	screw clamp
Degree of protection	IP65
Cross-sectional area	2.50 mm <sup>2</sup> / AWG 14
Cable outlet	12.0 - 14.0 mm
Temperature range from/to	-40 °C / 100 °C



# Product data sheet

## Power connectors



Product description	RD30 female cable connector, Contacts: 4+PE, 12.0 - 14.0 mm, unshielded, screw clamp, IP65, ESTI+, VDE
Area	RD30 series 694
Part no.	99 0710 02 05

Mechanical operation	> 500 Mating cycles
Weight (g)	81.37
Customs tariff number	85369010

### Electrical parameters

Rated voltage	400 V
Rated impulse voltage	6000 V
Rated current (40 °C)	20 A
Insulation resistance	$\geq 10^{10} \Omega$
Pollution degree	3
Overvoltage category	III
Insulating material group	III
EMC compliance	unshielded

### Material

Housing material	PA
Contact body material	PA (UL94 HB)
Contact material	CuSn (bronze)
Contact plating	Ag (silver)
REACH SVHC	CAS 96-45-7 (Imidazolidine-2-thione) CAS 7439-92-1 (Lead)
SCIP number	d7f11ae7-fcda-4087-8cba-d92dc842be91

### Authorization/approvals

Approvals	ESTI+, VDE
-----------	------------

### Classifications

eCl@ss 11.1	27-44-01-02
ETIM 7.0	EC002635

### Declarations of conformity

Low Voltage Directive	2014/35/EU (EN 60204-1:2018;EN 60529:1991)
-----------------------	--



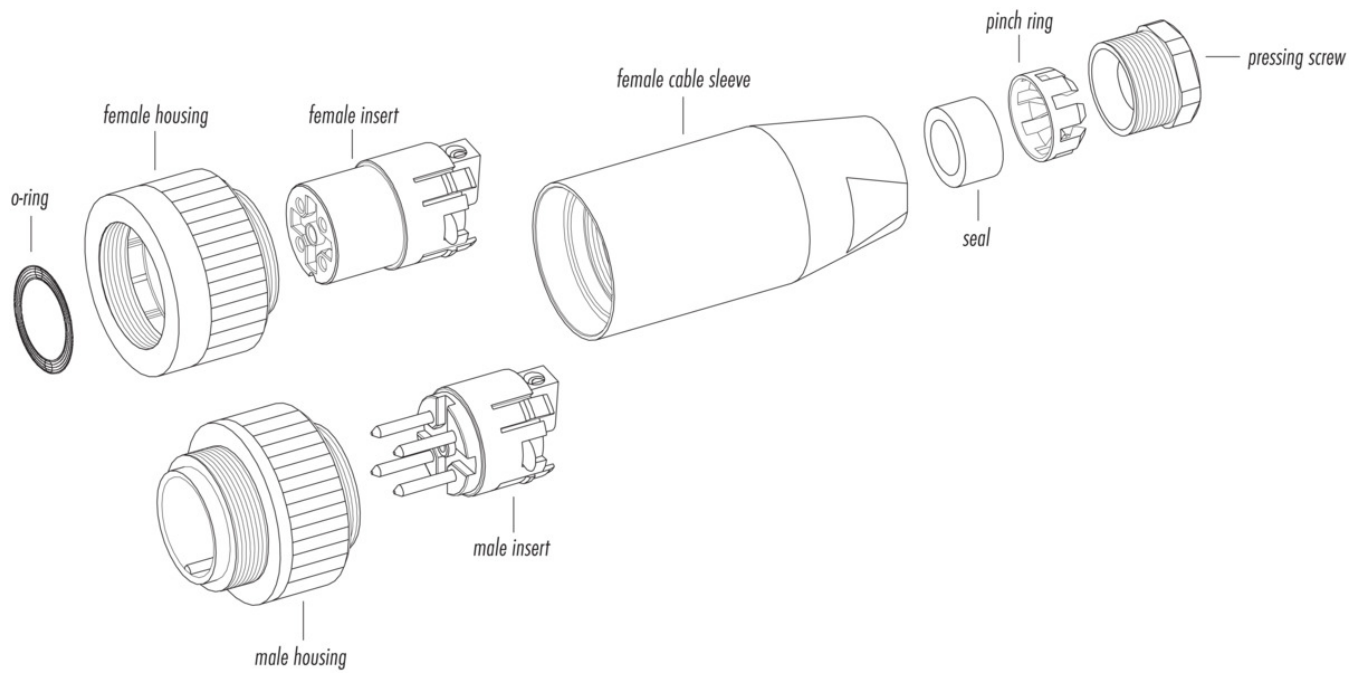
# Product data sheet

## Power connectors

Product description **RD30 female cable connector, Contacts: 4+PE, 12.0 - 14.0 mm, unshielded, screw clamp, IP65, ESTI+, VDE**

Area **RD30 series 694**  
Part no. **99 0710 02 05**

### Component part drawing

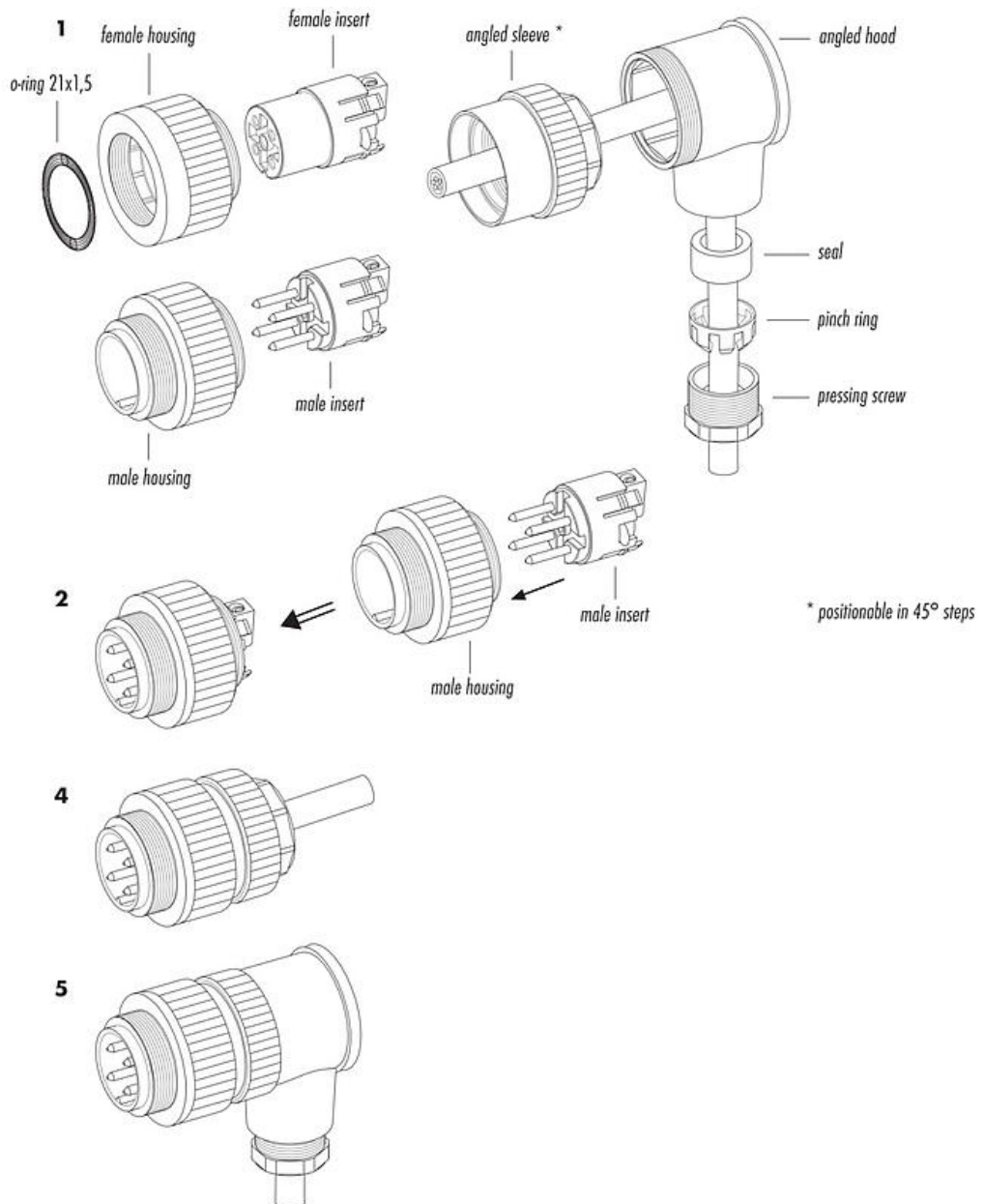


Product description RD30 female cable connector, Contacts: 4+PE, 12.0 - 14.0 mm, unshielded, screw clamp, IP65, ESTI+, VDE

Area RD30 series 694  
Part no. 99 0710 02 05

### Assembly instructions

1. Bead angled hood, sleeve, seal, pinch ring and pressing screw.
2. Clip contact insert into housing.
3. Dismantle cable, strip wire and contact wires.
4. Strongly fasten angled sleeve with preassembled housing up to mechanical stop.
5. Mount remaining parts according to figure.



Product description	<b>RD30 female cable connector, Contacts: 4+PE, 12.0 - 14.0 mm, unshielded, screw clamp, IP65, ESTI+, VDE</b>
Area	<b>RD30 series 694</b>
Part no.	<b>99 0710 02 05</b>

## General Disclaim Notice

The connector must not be plugged or unplugged under load. Non-observance and improper use can result in personal injury.

The connectors have been developed for applications in plant engineering, control and electrical equipment construction. The user is responsible for checking whether the connectors can also be used in other areas of application.

To protect against unintentional opening of the connector, the thread between the housing and the connector head must be secured with a suitable cyanoacrylate adhesive when used in circuits with voltages dangerous to the touch. This does not apply to connectors used in SELV and PELV circuits according to IEC 61140 (EN 61140, VDE 0140-1).

Connectors which are used in circuits with voltages dangerous to the touch may only be installed and used by, or under the supervision of, persons with electrical engineering training, taking into account the applicable regulations and standards.

The user must take suitable safety precautions to ensure that the connector cannot be accidentally disconnected.

Plug connectors with enclosure protection IP 67 and IP 68 are not suitable for use under water. When used outdoors, the plug connectors must be protected separately against corrosion. For further information on the IP protection classes, please refer to the "Technical Information" download centre.

To lock the cable connector with the device connector, the threaded ring is tightened "hand-tight" (approx. 50 cNm).