

# Product data sheet

## Power connectors

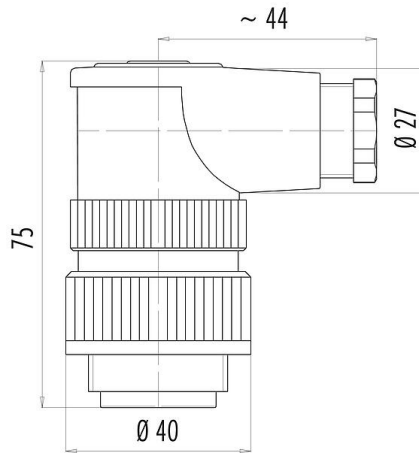


|                     |   |
|---------------------|---|
| Product description | <b>RD30 Male angled connector, Contacts: 24, 10.0-12.0 mm, unshielded, solder, IP65</b> |
| Area                | <b>RD30 series 694</b>  |
| Part no.            | <b>99 0737 70 24</b>  |

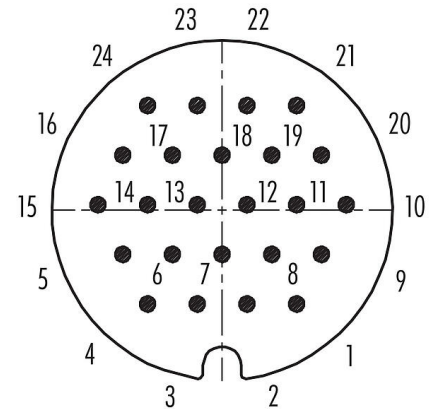
### Illustration



### Scale drawing



### Contact arrangement (Plug-in side)



You can find the assembly instructions on the next page.

### Technical data

#### General features

|                           |                                    |
|---------------------------|------------------------------------|
| Part no.                  | <b>99 0737 70 24</b>               |
| Connector design          | Male angled connector              |
| Version                   | Connector pin angled               |
| Connector locking system  | screw                              |
| Termination               | solder                             |
| Degree of protection      | IP65                               |
| Cross-sectional area      | max. 0.25 mm <sup>2</sup> / AWG 24 |
| Cable outlet              | 10.0-12.0 mm                       |
| Twistability              | 45° (8 coding options)             |
| Temperature range from/to | -40 °C / 100 °C                    |
| Mechanical operation      | > 500 Mating cycles                |
| Weight (g)                | 74.17                              |
| Customs tariff number     | 85369010                           |

#### Electrical parameters

|                           |                      |
|---------------------------|----------------------|
| Rated voltage             | 125 V                |
| Rated impulse voltage     | 2500 V               |
| Rated current (40 °C)     | 3,0 A                |
| Insulation resistance     | ≥ 10 <sup>10</sup> Ω |
| Pollution degree          | 3                    |
| Overvoltage category      | III                  |
| Insulating material group | III                  |
| EMC compliance            | unshielded           |

# Product data sheet

## Power connectors

|                     |   |
|---------------------|---|
| Product description | <b>RD30 Male angled connector, Contacts: 24, 10.0-12.0 mm, unshielded, solder, IP65</b> |
| Area                | <b>RD30 series 694</b>  |
| Part no.            | <b>99 0737 70 24</b>  |

### Material

|                       |                                      |
|-----------------------|--------------------------------------|
| Housing material      | PA                                   |
| Contact body material | PA (UL94 HB)                         |
| Contact material      | CuZn (brass)                         |
| Contact plating       | Au (gold)                            |
| REACH SVHC            | CAS 7439-92-1 (Lead)                 |
| SCIP number           | 304023d2-a815-45dd-9f87-dac9d158d7f2 |

### Classifications

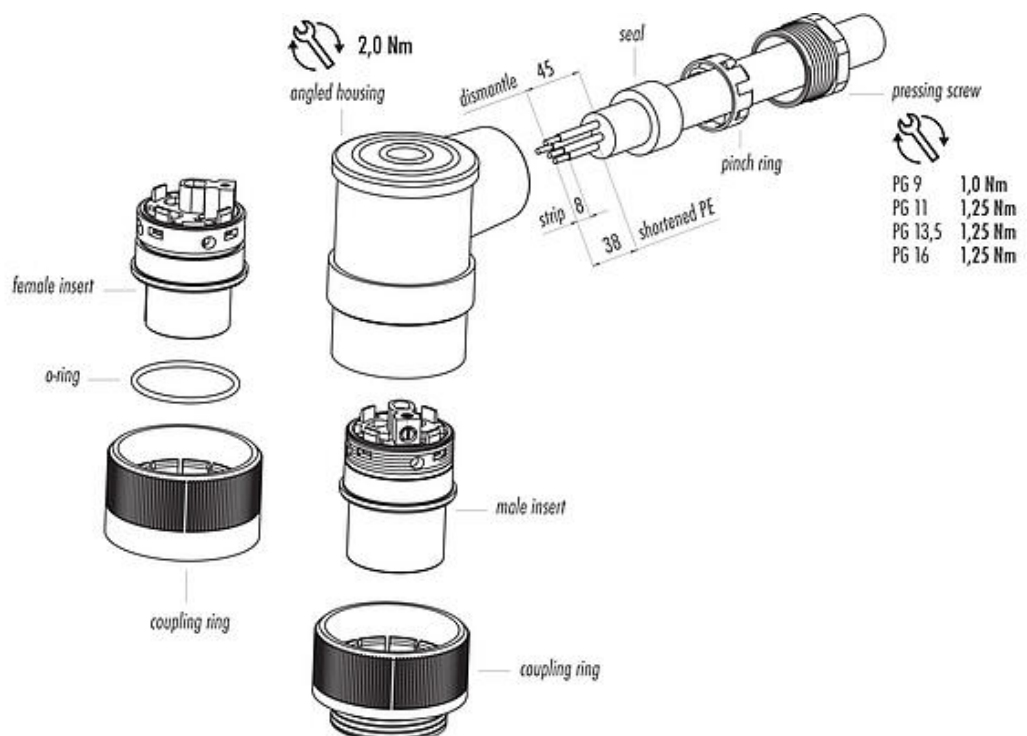
|             |             |
|-------------|-------------|
| eCl@ss 11.1 | 27-44-01-02 |
| ETIM 7.0    | EC002635    |

### Declarations of conformity

|                       |  |
|-----------------------|--|
| Low Voltage Directive | 2014/35/EU (EN 60204-1:2018;EN 60529:1991) |
|-----------------------|--|

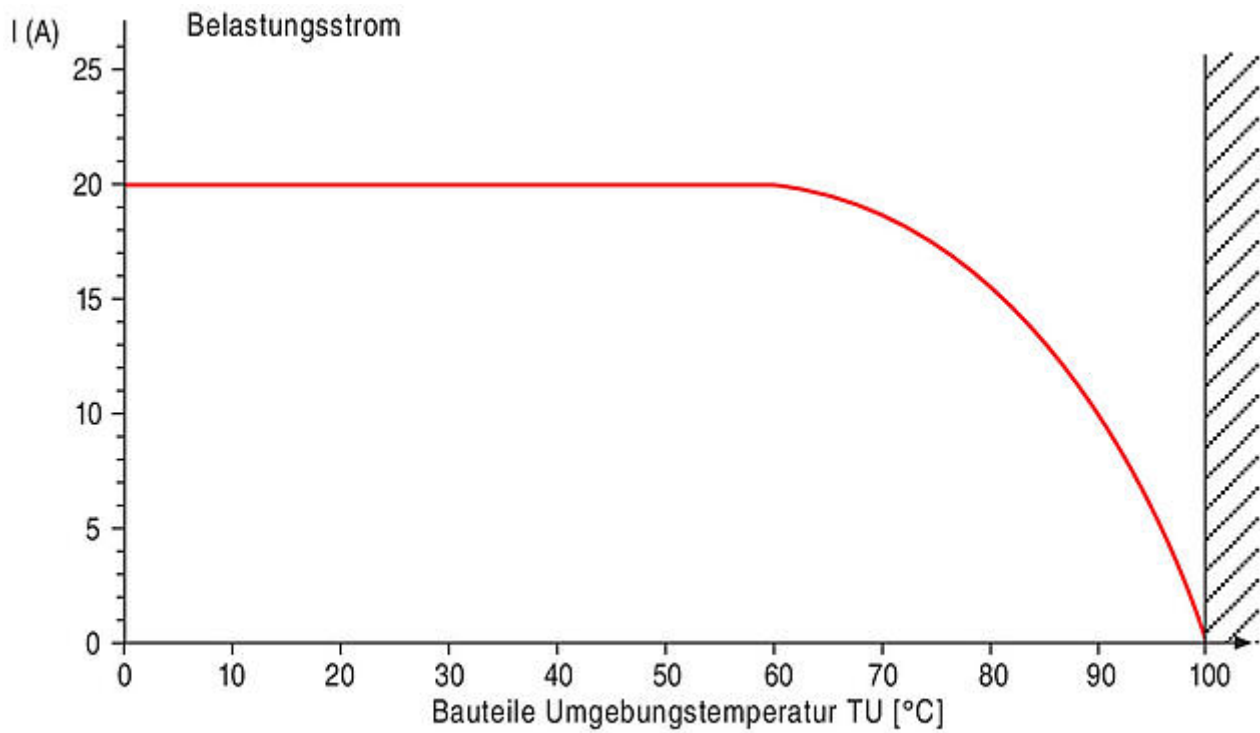
### Assembly instructions

1. Unscrew the clamping screws until the holes for single wires are completely free.
2. Bead parts of the cable clamp and coupling sleeve onto the cable.
3. Dismantle cable.
4. Strip, twist and screw on single wires.
5. Only female insert: mount o-ring.
6. Snap on the threaded ring.
7. Screw on the sleeve.
8. Tighten pressing screw.



|                     |   |
|---------------------|---|
| Product description | <b>RD30 Male angled connector, Contacts: 24, 10.0-12.0 mm, unshielded, solder, IP65</b> |
| Area                | <b>RD30 series 694</b>  |
| Part no.            | <b>99 0737 70 24</b>  |

### Derating curve



|                     |   |
|---------------------|---|
| Product description | <b>RD30 Male angled connector, Contacts: 24, 10.0-12.0 mm, unshielded, solder, IP65</b> |
| Area                | <b>RD30 series 694</b>  |
| Part no.            | <b>99 0737 70 24</b>  |

## General Disclaim Notice

The connector must not be plugged or unplugged under load. Non-observance and improper use can result in personal injury.

The connectors have been developed for applications in plant engineering, control and electrical equipment construction. The user is responsible for checking whether the connectors can also be used in other areas of application.

To protect against unintentional opening of the connector, the thread between the housing and the connector head must be secured with a suitable cyanoacrylate adhesive when used in circuits with voltages dangerous to the touch. This does not apply to connectors used in SELV and PELV circuits according to IEC 61140 (EN 61140, VDE 0140-1).

Connectors which are used in circuits with voltages dangerous to the touch may only be installed and used by, or under the supervision of, persons with electrical engineering training, taking into account the applicable regulations and standards.

Plug connectors with enclosure protection IP67 and IP68 are not suitable for use under water. When used outdoors, the plug connectors must be protected separately against corrosion. For further information on the IP protection classes, please refer to the "Technical Information" download centre.

To lock the cable connector with the device connector, the threaded ring is tightened "hand-tight" (approx. 50 cNm).