

# Product data sheet

## Power connectors

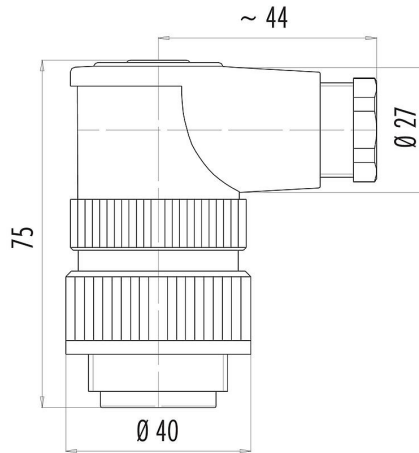


Product description	RD30 male angled connector, Contacts: 24, 14.0 - 18.0 mm, unshielded, solder, IP65
Area	RD30 series 694
Part no.	99 0737 73 24

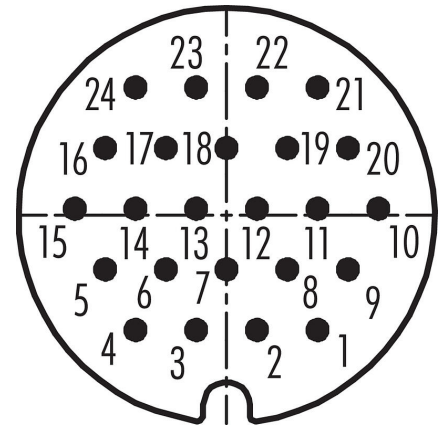
### Illustration



### Scale drawing



### Contact arrangement (Plug-in side)



You can find the assembly instructions on the next page.

## Technical data

### General features

Part no.	99 0737 73 24
Connector design	male angled connector
Version	connector male angled
Connector locking system	screw
Termination	solder
Degree of protection	IP65
Cross-sectional area	max. 0.25 mm <sup>2</sup> / max. AWG 24
Cable outlet	14.0 - 18.0 mm
Twistability	45° (8 coding options)
Temperature range from/to	-40 °C / 100 °C
Mechanical operation	> 500 Mating cycles
Weight (g)	86.88
Customs tariff number	85369010

### Electrical parameters

Rated voltage	125 V
Rated impulse voltage	2500 V
Rated current (40 °C)	3 A
Insulation resistance	≥ 10 <sup>10</sup> Ω
Pollution degree	3

# Product data sheet

## Power connectors



Product description **RD30 male angled connector, Contacts: 24, 14.0 - 18.0 mm, unshielded, solder, IP65**

Area **RD30 series 694**  
Part no. **99 0737 73 24**

Overvoltage category **III**  
Insulating material group **III**  
EMC compliance **unshielded**

### Material

Housing material **PA**  
Contact body material **PA (UL94 HB)**  
Contact material **CuZn (brass)**  
Contact plating **Au (gold)**  
REACH SVHC **CAS 7439-92-1 (Lead)**  
SCIP number **db2108ea-cad9-4987-aeba-4c9f3747efe1**

### Classifications

eCl@ss 11.1 **27-44-01-02**  
ETIM 7.0 **EC002635**

### Declarations of conformity

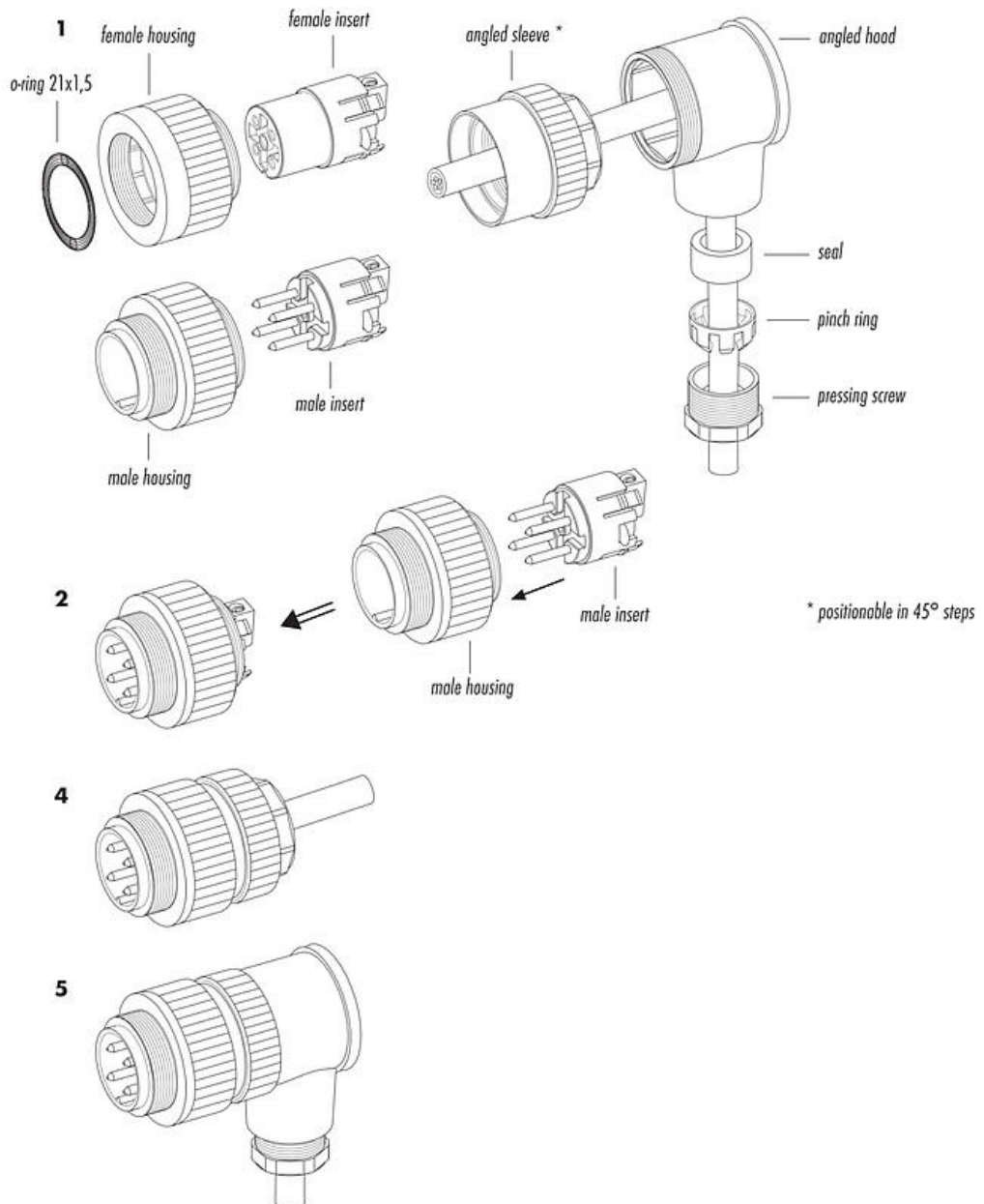
Low Voltage Directive **2014/35/EU (EN 60204-1:2018;EN 60529:1991)**

Product description RD30 male angled connector, Contacts: 24, 14.0 - 18.0 mm, unshielded, solder, IP65

Area RD30 series 694  
Part no. 99 0737 73 24

### Assembly instructions

1. Bead angled hood, sleeve, seal, pinch ring and pressing screw.
2. Clip contact insert into housing.
3. Dismantle cable, strip wire and contact wires.
4. Strongly fasten angled sleeve with preassembled housing up to mechanical stop.
5. Mount remaining parts according to figure.



Product description	<b>RD30 male angled connector, Contacts: 24, 14.0 - 18.0 mm, unshielded, solder, IP65</b>
Area	<b>RD30 series 694</b>
Part no.	<b>99 0737 73 24</b>

### **General Disclaim Notice**

The connector must not be plugged or unplugged under load. Non-observance and improper use can result in personal injury.

The connectors have been developed for applications in plant engineering, control and electrical equipment construction. The user is responsible for checking whether the connectors can also be used in other areas of application.

To protect against unintentional opening of the connector, the thread between the housing and the connector head must be secured with a suitable cyanoacrylate adhesive when used in circuits with voltages dangerous to the touch. This does not apply to connectors used in SELV and PELV circuits according to IEC 61140 (EN 61140, VDE 0140-1).

Connectors which are used in circuits with voltages dangerous to the touch may only be installed and used by, or under the supervision of, persons with electrical engineering training, taking into account the applicable regulations and standards.

Plug connectors with enclosure protection IP 67 and IP 68 are not suitable for use under water. When used outdoors, the plug connectors must be protected separately against corrosion. For further information on the IP protection classes, please refer to the "Technical Information" download centre.

To lock the cable connector with the device connector, the threaded ring is tightened "hand-tight" (approx. 50 cNm).