

# Product data sheet

## Power connectors

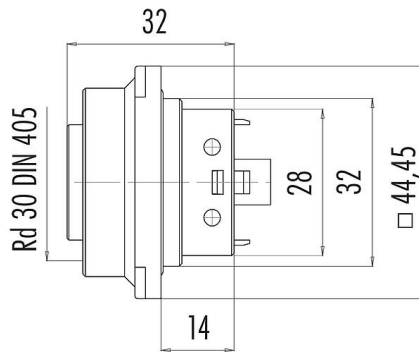


Product description	<b>RD30 Female panel mount connector, Contacts: 24, unshielded, solder, IP65</b>
Area	<b>RD30 series 694</b>
Part no.	<b>99 0740 00 24</b>

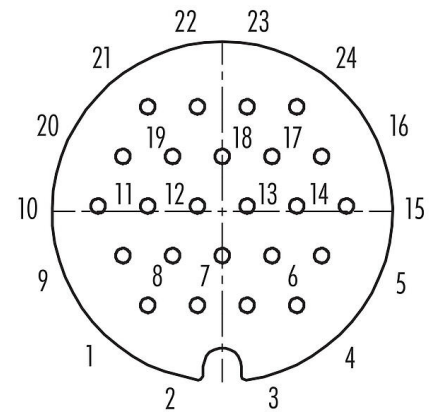
### Illustration



### Scale drawing



### Contact arrangement (Plug-in side)



You can find the assembly instructions on the next page.

## Technical data

### General features

Part no.	<b>99 0740 00 24</b>
Connector design	Female panel mount connector
Version	Connector socket straight
Connector locking system	screw
Termination	solder
Degree of protection	IP65
Cross-sectional area	max. 0.25 mm <sup>2</sup> / AWG 24
Temperature range from/to	-40 °C / 100 °C
Mechanical operation	> 500 Mating cycles
Weight (g)	31.78
Customs tariff number	85369010

### Electrical parameters

Rated voltage	125 V
Rated impulse voltage	2500 V
Rated current (40 °C)	3,0 A
Insulation resistance	≥ 10 <sup>10</sup> Ω
Pollution degree	3
Overvoltage category	III
Insulating material group	III
EMC compliance	unshielded

# Product data sheet

## Power connectors



Product description	<b>RD30 Female panel mount connector, Contacts: 24, unshielded, solder, IP65</b>
Area	<b>RD30 series 694</b>
Part no.	<b>99 0740 00 24</b>

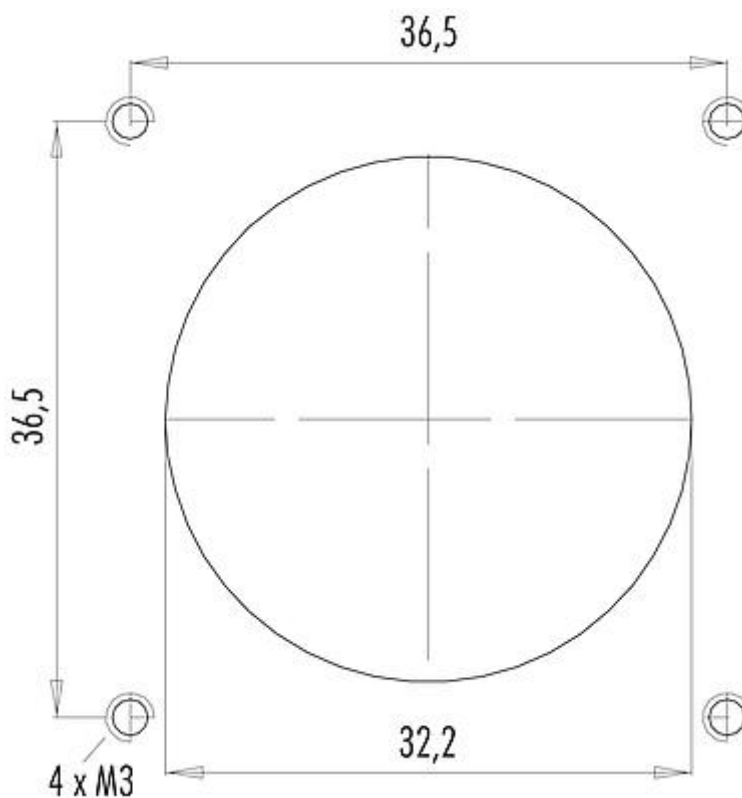
### Material

Housing material	PA
Contact body material	PA (UL94 HB)
Contact material	CuSn (bronze)
Contact plating	Au (gold)
REACH SVHC	CAS 7439-92-1 (Lead)
SCIP number	b67caa1b-f308-4c1a-ae69-58040ee2a683

### Classifications

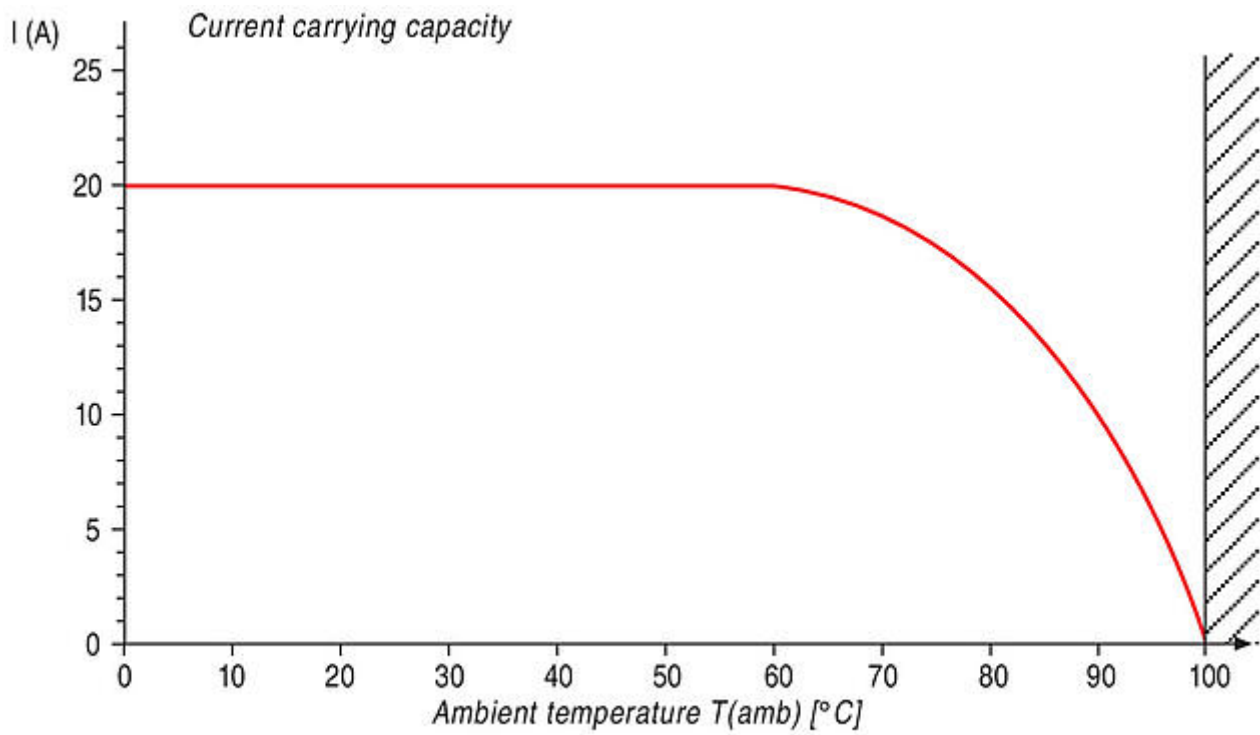
eCl@ss 11.1	27-44-01-02
ETIM 7.0	EC002635

### Assembly instructions / Panel cut-out



Product description	RD30 Female panel mount connector, Contacts: 24, unshielded, solder, IP65
Area	RD30 series 694
Part no.	99 0740 00 24

### Derating curve



Product description	<b>RD30 Female panel mount connector, Contacts: 24, unshielded, solder, IP65</b>
-	-
Area	<b>RD30 series 694</b>
Part no.	<b>99 0740 00 24</b>

### **General Disclaim Notice**

The connector must not be plugged or unplugged under load. Non-observance and improper use can result in personal injury.

The connectors have been developed for applications in plant engineering, control and electrical equipment construction. The user is responsible for checking whether the connectors can also be used in other areas of application.

Plug connectors with enclosure protection IP67 and IP68 are not suitable for use under water. When used outdoors, the plug connectors must be protected separately against corrosion. For further information on the IP protection classes, please refer to the "Technical Information" download centre.