

Product data sheet

Subminiature connectors



Product description **Bayonet Female cable connector, Contacts: 2, 3.0-4.0 mm, unshielded, solder, IP40**

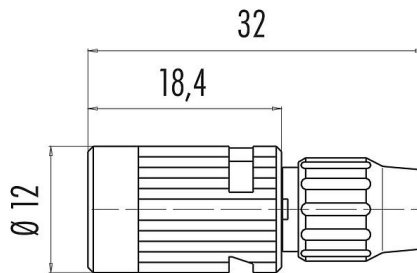
Area **Bayonet series 710**

Part no. **99 0972 100 02**

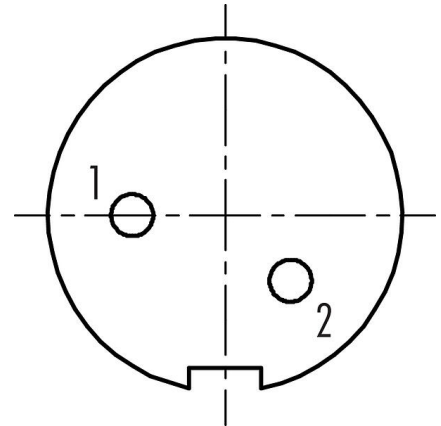
Illustration



Scale drawing



Contact arrangement (Plug-in side)



You can find the assembly instructions on the next page.

Technical data

General features

Part no.	99 0972 100 02
Connector design	Female cable connector
Version	Connector socket straight
Connector locking system	Bayonet
Termination	solder
Degree of protection	IP40
Cross-sectional area	max. 0.25 mm ² / AWG 24
Cable outlet	3.0-4.0 mm
Temperature range from/to	-40 °C / 85 °C
Mechanical operation	> 500 Mating cycles
Weight (g)	2.46
Customs tariff number	85369010

Electrical parameters

Rated voltage	125 V
Rated impulse voltage	1500 V
Rated current (40 °C)	4.0 A
Insulation resistance	≥ 10 ¹⁰ Ω
Pollution degree	1
Overvoltage category	II
Insulating material group	III
EMC compliance	unshielded

Product data sheet

Subminiature connectors

Product description	Bayonet Female cable connector, Contacts: 2, 3.0-4.0 mm, unshielded, solder, IP40
Area	Bayonet series 710
Part no.	99 0972 100 02

Material

Housing material	PA
Contact body material	PA (UL94 V-0)
Contact material	CuSn (bronze)
Contact plating	Au (gold)
REACH SVHC	CAS 7439-92-1 (Lead)
SCIP number	7df11355-1e83-45d7-a2c2-dfc29065744f

Classifications

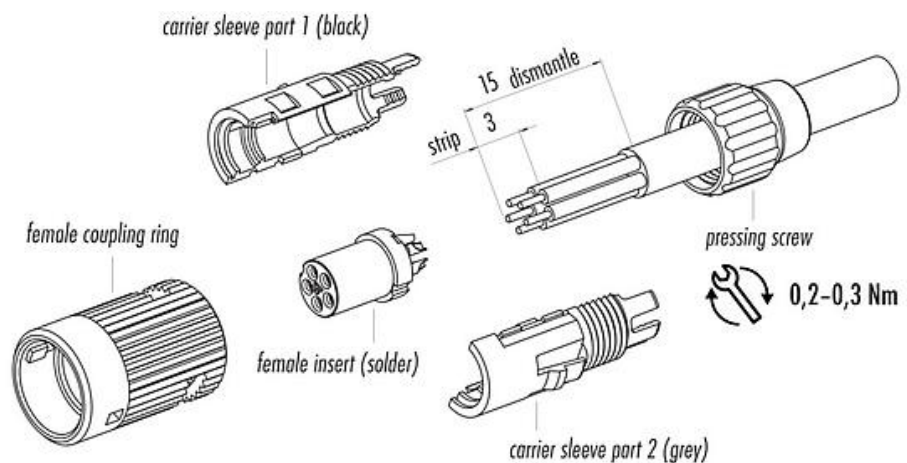
eClass 11.1	27-44-01-02
ETIM 7.0	EC002635

Declarations of conformity

Low Voltage Directive	2014/35/EU (EN 60204-1:2018;EN 60529:1991)
-----------------------	--

Assembly instructions

1. Bead pressing screw to cable.
2. Dismantle cable to 15 mm length.
3. Strip and solder single wires.
4. Place female insert into carrier sleeve part 2 (lower part grey).
4. Mount carrier sleeve part 1 (upper part black) on carrier sleeve part 2 (lower part grey).
5. Snap assembly group into coupling ring.
6. Tighten pressing screw.



Product description	Bayonet Female cable connector, Contacts: 2, 3.0-4.0 mm, unshielded, solder, IP40
Area	Bayonet series 710
Part no.	99 0972 100 02

General Disclaim Notice

The connector must not be plugged or unplugged under load. Non-observance and improper use can result in personal injury.

The connectors have been developed for applications in plant engineering, control and electrical equipment construction. The user is responsible for checking whether the connectors can also be used in other areas of application.

Connectors which are used in circuits with voltages dangerous to the touch may only be installed and used by, or under the supervision of, persons with electrical engineering training, taking into account the applicable regulations and standards.