

Product data sheet

Subminiature connectors



Product description **Bayonet Female cable connector, Contacts: 4, 3.0-4.0 mm, unshielded, solder, IP40**

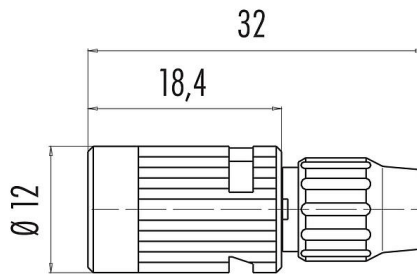
Area **Bayonet series 710**

Part no. **99 0980 100 04**

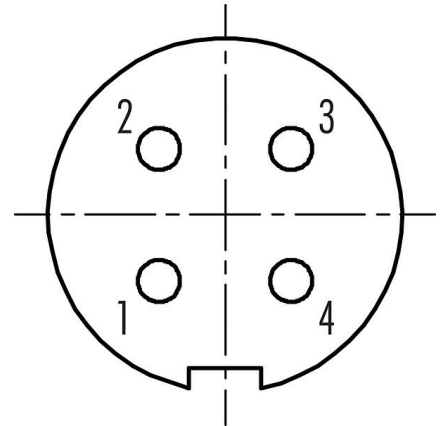
Illustration



Scale drawing



Contact arrangement (Plug-in side)



You can find the assembly instructions on the next page.

Technical data

General features

| | |
|---------------------------|------------------------------------|
| Part no. | 99 0980 100 04 |
| Connector design | Female cable connector |
| Version | Connector socket straight |
| Connector locking system | Bayonet |
| Termination | solder |
| Degree of protection | IP40 |
| Cross-sectional area | max. 0.25 mm ² / AWG 24 |
| Cable outlet | 3.0-4.0 mm |
| Temperature range from/to | -40 °C / 85 °C |
| Mechanical operation | > 500 Mating cycles |
| Weight (g) | 2.65 |
| Customs tariff number | 85369010 |

Electrical parameters

| | |
|---------------------------|----------------------|
| Rated voltage | 125 V |
| Rated impulse voltage | 1500 V |
| Rated current (40 °C) | 3,0 A |
| Insulation resistance | ≥ 10 ¹⁰ Ω |
| Pollution degree | 1 |
| Overvoltage category | II |
| Insulating material group | III |
| EMC compliance | unshielded |

Product data sheet

Subminiature connectors

| | |
|---------------------|--|
| Product description | Bayonet Female cable connector, Contacts: 4, 3.0-4.0 mm, unshielded, solder, IP40 |
| Area | Bayonet series 710 |
| Part no. | 99 0980 100 04 |

Material

| | |
|-----------------------|--------------------------------------|
| Housing material | PA |
| Contact body material | PA (UL94 V-0) |
| Contact material | CuSn (bronze) |
| Contact plating | Au (gold) |
| REACH SVHC | CAS 7439-92-1 (Lead) |
| SCIP number | e5b461cf-4fd9-4828-9d1f-a60b54e8cf5d |

Classifications

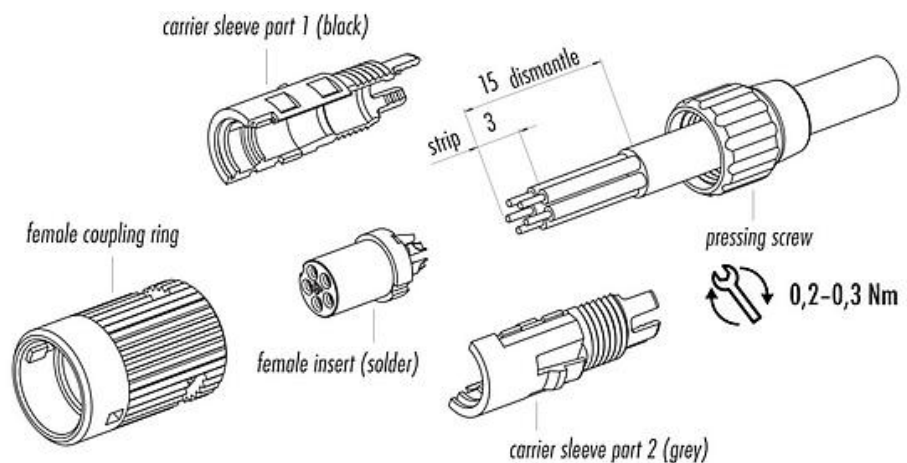
| | |
|-------------|-------------|
| eCl@ss 11.1 | 27-44-01-02 |
| ETIM 7.0 | EC002635 |

Declarations of conformity

| | |
|-----------------------|--|
| Low Voltage Directive | 2014/35/EU (EN 60204-1:2018;EN 60529:1991) |
|-----------------------|--|

Assembly instructions

1. Bead pressing screw to cable.
2. Dismantle cable to 15 mm length.
3. Strip and solder single wires.
4. Place female insert into carrier sleeve part 2 (lower part grey).
4. Mount carrier sleeve part 1 (upper part black) on carrier sleeve part 2 (lower part grey).
5. Snap assembly group into coupling ring.
6. Tighten pressing screw.



Product data sheet

Subminiature connectors



| | |
|---------------------|--|
| Product description | Bayonet Female cable connector, Contacts: 4, 3.0-4.0 mm, unshielded, solder, IP40 |
| Area | Bayonet series 710 |
| Part no. | 99 0980 100 04 |

General Disclaim Notice

The connector must not be plugged or unplugged under load. Non-observance and improper use can result in personal injury.

The connectors have been developed for applications in plant engineering, control and electrical equipment construction. The user is responsible for checking whether the connectors can also be used in other areas of application.

Connectors which are used in circuits with voltages dangerous to the touch may only be installed and used by, or under the supervision of, persons with electrical engineering training, taking into account the applicable regulations and standards.