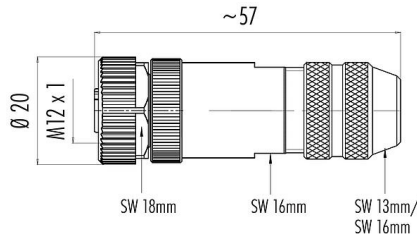


Product description	M12-A Female cable connector, Contacts: 8, 6.0-8.0 mm, shieldable, screw clamp, IP67, UL, PG 9
Area	M12-A series 713
Part no.	99 1486 812 08

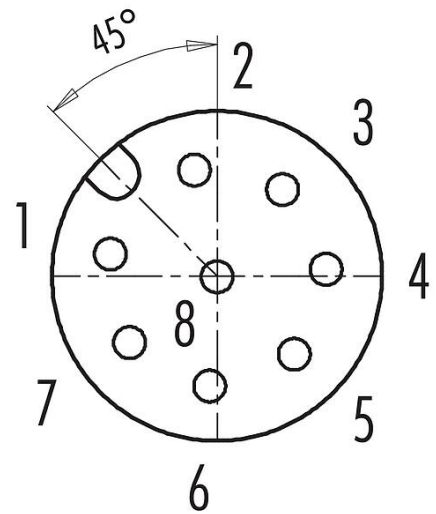
Illustration



Scale drawing



Contact arrangement (Plug-in side)



You can find the component part drawing and assembly instructions on the next page.

Technical data

General features

Part no.	99 1486 812 08
Connector design	Female cable connector
Version	Connector socket straight
Connector locking system	screw
Termination	screw clamp
Degree of protection	IP67
Cross-sectional area	max. 0.50 mm ² / AWG 20
Cable outlet	6.0-8.0 mm
Temperature range from/to	-40 °C / 85 °C
Mechanical operation	> 100 Mating cycles
Weight (g)	47.53
Customs tariff number	85369010

Electrical parameters

Rated voltage	30 V
Rated impulse voltage	800 V
Rated current (40 °C)	1.5 A (2 A UL)
Insulation resistance	> 10 ¹⁰ Ω
Pollution degree	3
Overvoltage category	II

Product data sheet

Automation technology - sensors and actuators



Product description	M12-A Female cable connector, Contacts: 8, 6.0-8.0 mm, shieldable, screw clamp, IP67, UL, PG 9
Area	M12-A series 713
Part no.	99 1486 812 08

Insulating material group	III
EMC compliance	shieldable
Shield connection	Shielding ring

Material

Housing material	Zinc die-cast nickel-plated
Contact body material	PA
Contact material	CuZn (brass)
Contact plating	Au (gold)
Locking material	Zinc die-cast nickel-plated
REACH SVHC	CAS 96-45-7 (Imidazolidine-2-thione) CAS 7439-92-1 (Lead)
SCIP number	835492f2-7356-4768-ad87-6d9812fe25b2

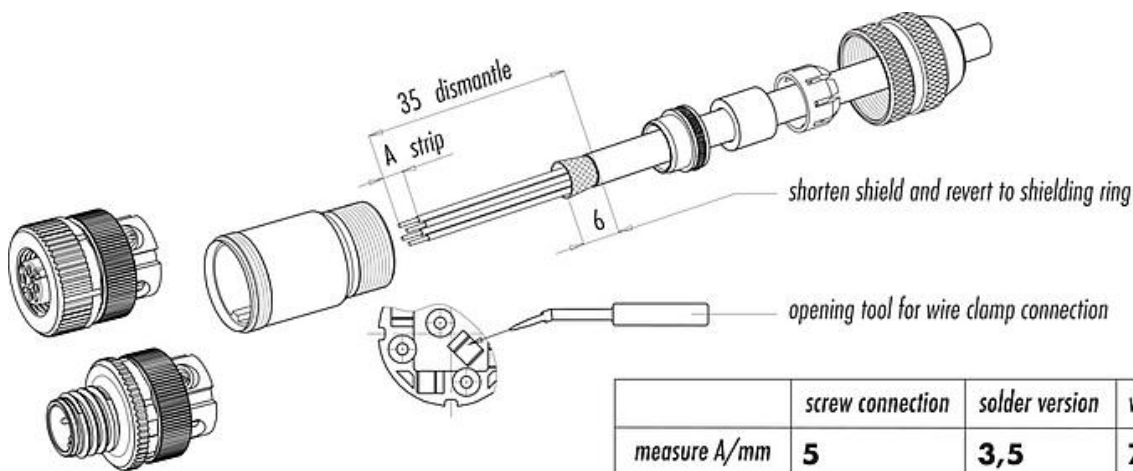
Authorization/approvals

Approvals	UL
-----------	----

Classifications

eCl@ss 11.1	27-44-01-02
ETIM 7.0	EC002635

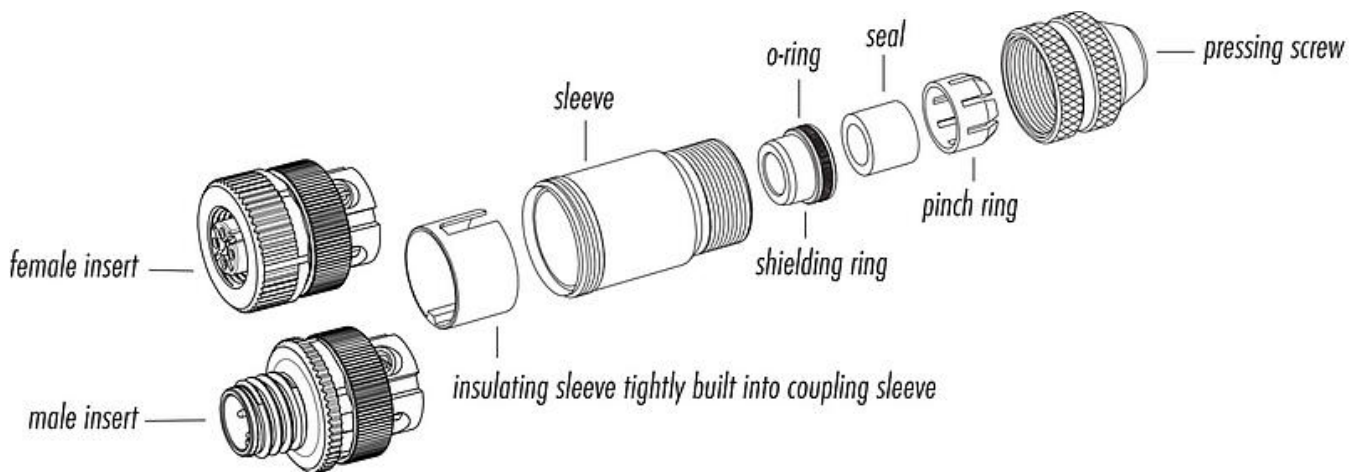
Assembly instructions



	screw connection	solder version	wire clamp connection
measure A/mm	5	3,5	7

Product description	M12-A Female cable connector, Contacts: 8, 6.0-8.0 mm, shieldable, screw clamp, IP67, UL, PG 9
Area	M12-A series 713
Part no.	99 1486 812 08

Component part drawing



Product description	M12-A Female cable connector, Contacts: 8, 6.0-8.0 mm, shieldable, screw clamp, IP67, UL, PG 9
-	-
Area	M12-A series 713
Part no.	99 1486 812 08

General Disclaim Notice

The connectors have been developed for applications in plant engineering, control and electrical equipment construction. The user is responsible for checking whether the connectors can also be used in other areas of application.

Plug connectors with enclosure protection IP67 and IP68 are not suitable for use under water. When used outdoors, the plug connectors must be protected separately against corrosion. For further information on the IP protection classes, please refer to the "Technical Information" download centre.

To lock the cable connector with the device connector, the threaded ring is tightened "hand-tight" (approx. 60 cNm).