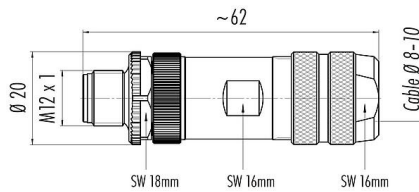


Product description	<b>M12-A Male cable connector, Contacts: 12, 8.0-10.0 mm, shieldable, solder, IP67</b>
Area	<b>M12-A series 713</b>
Part no.	<b>99 1491 914 12</b>

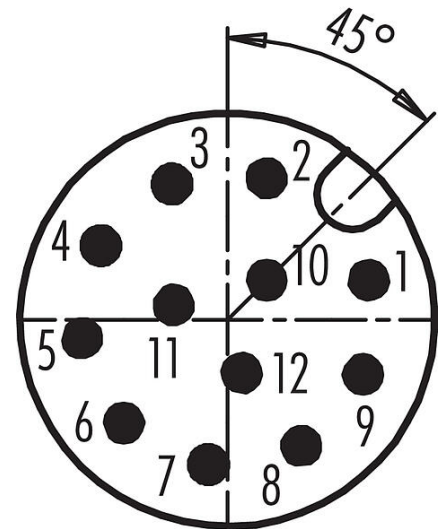
### Illustration



### Scale drawing



### Contact arrangement (Plug-in side)



You can find the component part drawing and assembly instructions on the next page.

### Technical data

#### General features

Part no.	<b>99 1491 914 12</b>
Connector design	Male cable connector
Version	Connector pin straight
Connector locking system	screw
Termination	solder
Degree of protection	IP67
Cross-sectional area	max. 0.25 mm <sup>2</sup> / AWG 24
Cable outlet	8.0-10.0 mm
Temperature range from/to	-40 °C / 85 °C
Mechanical operation	> 500 Mating cycles
Weight (g)	15.0
Customs tariff number	85369010

#### Electrical parameters

Rated voltage	30 V
Rated impulse voltage	800 V
Rated current (40 °C)	1.5 A
Insulation resistance	> 10 <sup>8</sup> Ω
Pollution degree	3

# Product data sheet

## Automation technology - sensors and actuators



Product description	<b>M12-A Male cable connector, Contacts: 12, 8.0-10.0 mm, shieldable, solder, IP67</b>
Area	<b>M12-A series 713</b>
Part no.	<b>99 1491 914 12</b>

Overvoltage category	II
Insulating material group	III
EMC compliance	shieldable
Shield connection	Shielding ring

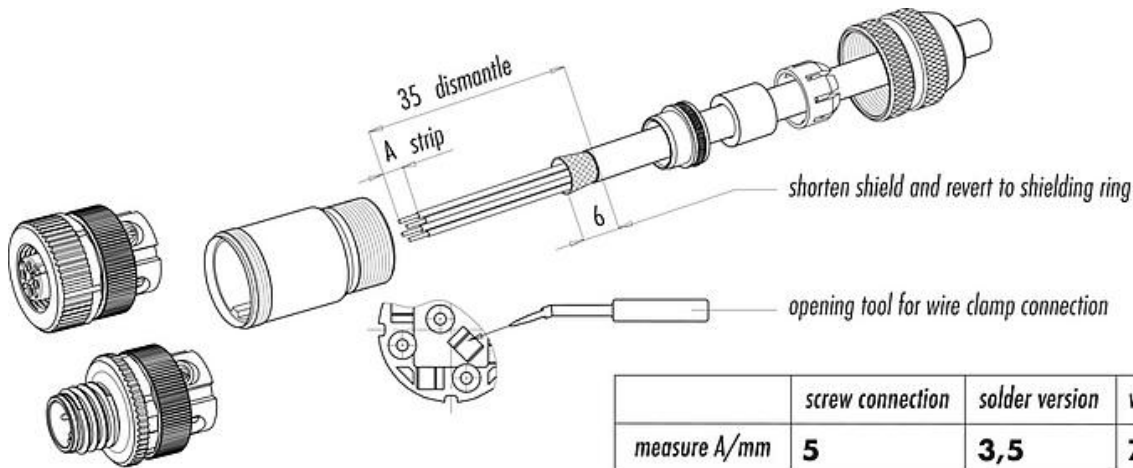
### Material

Housing material	CuZn (Brass nickel plated)
Contact body material	PBT (UL94 V-0)
Contact material	CuZn (brass)
Contact plating	Au (gold)
Locking material	Zinc die-cast nickel-plated

### Classifications

eCl@ss 11.1	27-44-01-02
ETIM 7.0	EC002635

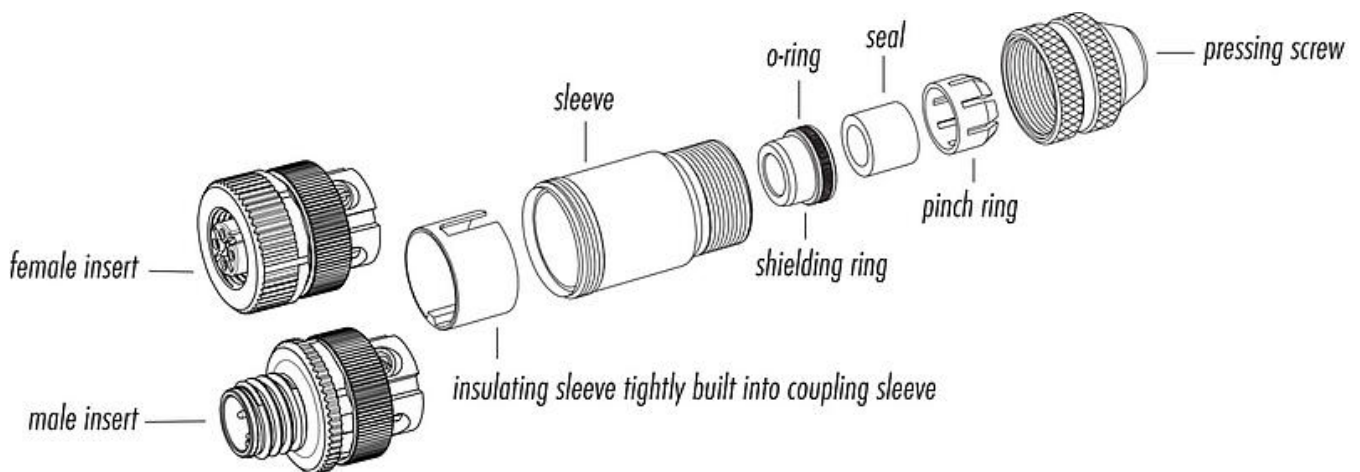
### Assembly instructions



	screw connection	solder version	wire clamp connection
measure A/mm	<b>5</b>	<b>3,5</b>	<b>7</b>

Product description	<b>M12-A Male cable connector, Contacts: 12, 8.0-10.0 mm, shieldable, solder, IP67</b>
Area	<b>M12-A series 713</b>
Part no.	<b>99 1491 914 12</b>

**Component part drawing**



Product description	<b>M12-A Male cable connector, Contacts: 12, 8.0-10.0 mm, shieldable, solder, IP67</b>
Area	<b>M12-A series 713</b>
Part no.	<b>99 1491 914 12</b>

### **General Disclaim Notice**

The connectors have been developed for applications in plant engineering, control and electrical equipment construction. The user is responsible for checking whether the connectors can also be used in other areas of application.

Plug connectors with enclosure protection IP67 and IP68 are not suitable for use under water. When used outdoors, the plug connectors must be protected separately against corrosion. For further information on the IP protection classes, please refer to the "Technical Information" download centre.

To lock the cable connector with the device connector, the threaded ring is tightened "hand-tight" (approx. 60 cNm).