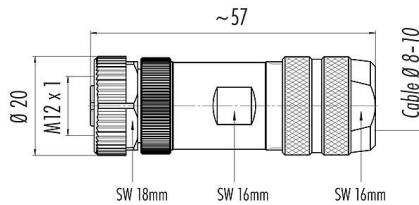


Product description **M12-A Female cable connector, Contacts: 12, 8.0-10.0 mm, shieldable, solder, IP67**
Area **M12-A series 713**
Part no. **99 1492 914 12**

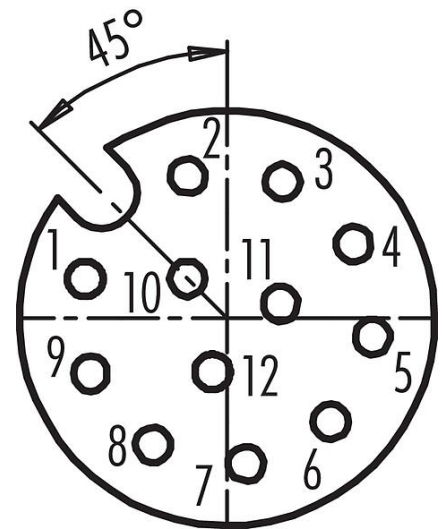
Illustration



Scale drawing



Contact arrangement (Plug-in side)



You can find the component part drawing and assembly instructions on the next page.

Technical data

General features

Part no.	99 1492 914 12
Connector design	Female cable connector
Version	Connector socket straight
Connector locking system	screw
Termination	solder
Degree of protection	IP67
Cross-sectional area	max. 0.25 mm ² / AWG 24
Cable outlet	8.0-10.0 mm
Temperature range from/to	-40 °C / 85 °C
Mechanical operation	> 500 Mating cycles
Weight (g)	56.396
Customs tariff number	85369010

Electrical parameters

Rated voltage	60 V
Rated impulse voltage	500 V
Rated current (40 °C)	5.0 A
Insulation resistance	> 10 ⁸ Ω
Pollution degree	1

Product data sheet

Automation technology - sensors and actuators



Product description	M12-A Female cable connector, Contacts: 12, 8.0-10.0 mm, shieldable, solder, IP67
Area	M12-A series 713
Part no.	99 1492 914 12

Overvoltage category	I
Insulating material group	III
EMC compliance	shieldable
Shield connection	Shielding ring

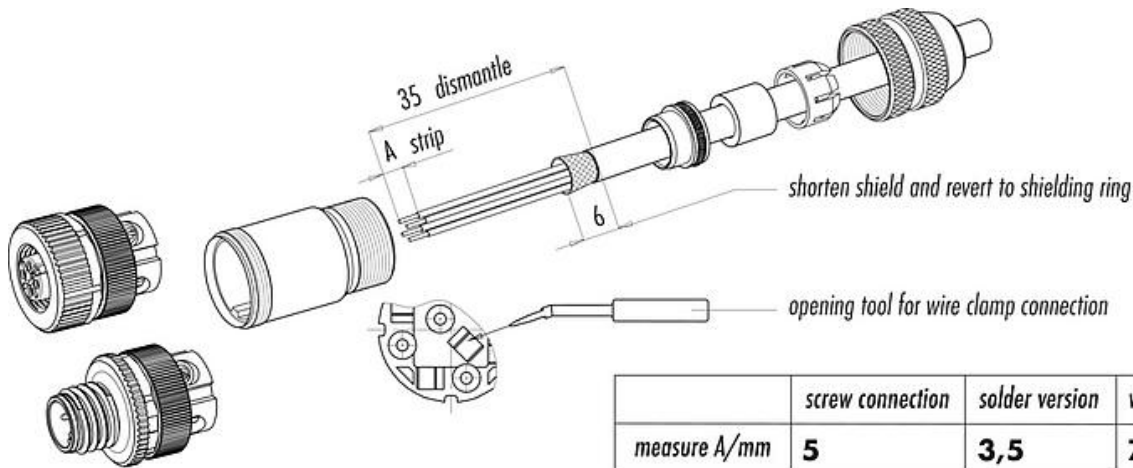
Material

Housing material	Zinc die-cast nickel-plated
Contact body material	PBT (UL94 V-0)
Contact material	CuZn (brass)
Contact plating	Au (gold)
Locking material	Zinc die-cast nickel-plated

Classifications

eCl@ss 11.1	27-44-01-02
ETIM 7.0	EC002635

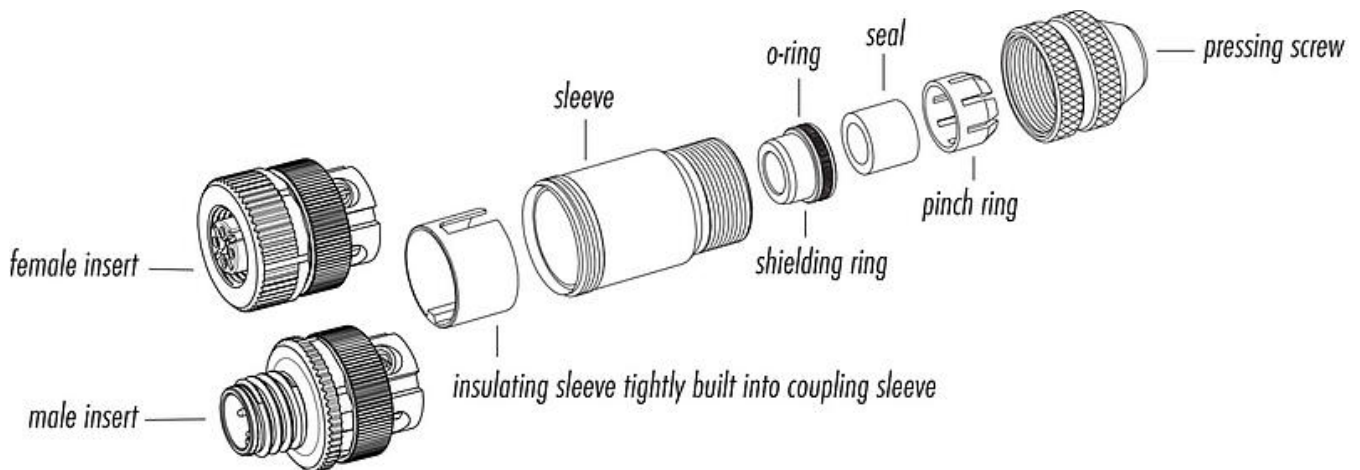
Assembly instructions



	screw connection	solder version	wire clamp connection
measure A/mm	5	3,5	7

Product description	M12-A Female cable connector, Contacts: 12, 8.0-10.0 mm, shieldable, solder, IP67
Area	M12-A series 713
Part no.	99 1492 914 12

Component part drawing



Product description	M12-A Female cable connector, Contacts: 12, 8.0-10.0 mm, shieldable, solder, IP67
Area	M12-A series 713
Part no.	99 1492 914 12

General Disclaim Notice

The connectors have been developed for applications in plant engineering, control and electrical equipment construction. The user is responsible for checking whether the connectors can also be used in other areas of application.

Plug connectors with enclosure protection IP67 and IP68 are not suitable for use under water. When used outdoors, the plug connectors must be protected separately against corrosion. For further information on the IP protection classes, please refer to the "Technical Information" download centre.

To lock the cable connector with the device connector, the threaded ring is tightened "hand-tight" (approx. 60 cNm).