

Product data sheet

Automation technology - sensors and actuators

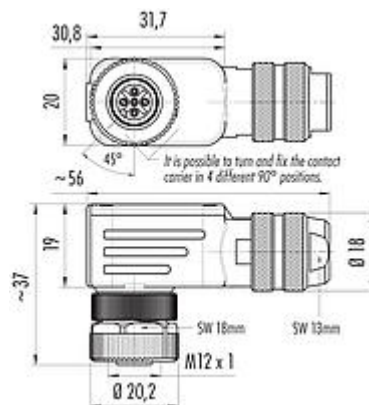


| | |
|---------------------|--|
| Product description | M12-A Female angled connector, Contacts: 5, 6.0-8.0 mm, shieldable, wire clamp, IP67 |
| Area | M12-A series 713 |
| Part no. | 99 1538 822 05 |

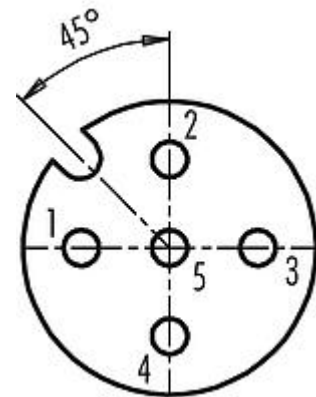
Illustration



Scale drawing



Contact arrangement (Plug-in side)



You can find the component part drawing and assembly instructions on the next page.

Technical data

General features

| | |
|---------------------------|------------------------------------|
| Part no. | 99 1538 822 05 |
| Connector design | Female angled connector |
| Version | Connector socket angled |
| Connector locking system | screw |
| Termination | wire clamp |
| Degree of protection | IP67 |
| Cross-sectional area | max. 0.50 mm ² / AWG 20 |
| Cable outlet | 6.0-8.0 mm |
| Twistability | 90° (4 coding options) |
| Temperature range from/to | -40 °C / 85 °C |
| Mechanical operation | > 100 Mating cycles |
| Weight (g) | 66.84 |
| Customs tariff number | 85369010 |

Electrical parameters

| | |
|-----------------------|---------------------|
| Rated voltage | 60 V |
| Rated impulse voltage | 1500 V |
| Rated current (40 °C) | 4.0 A |
| Insulation resistance | > 10 ⁸ Ω |
| Pollution degree | 3 |

Product data sheet

Automation technology - sensors and actuators



| | |
|---------------------|--|
| Product description | M12-A Female angled connector, Contacts: 5, 6.0-8.0 mm, shieldable, wire clamp, IP67 |
| Area | M12-A series 713 |
| Part no. | 99 1538 822 05 |

| | |
|---------------------------|----------------|
| Overvoltage category | II |
| Insulating material group | III |
| EMC compliance | shieldable |
| Shield connection | Shielding ring |

Material

| | |
|-----------------------|---|
| Housing material | Zinc die-cast nickel-plated |
| Contact body material | PA |
| Contact material | CuZn (brass) |
| Contact plating | Au (gold) |
| Locking material | Zinc die-cast nickel-plated |
| REACH SVHC | CAS-119-47-1 (2,2'-Methylenbis) CAS 96-45-7 (Imidazolidine-2-thione) CAS 7439-92-1 (Lead) |
| SCIP number | b9f99bc5-e6d7-423c-99a2-7f57d76a5646 |

Classifications

| | |
|-------------|-------------|
| eCl@ss 11.1 | 27-44-01-02 |
| ETIM 7.0 | EC002635 |

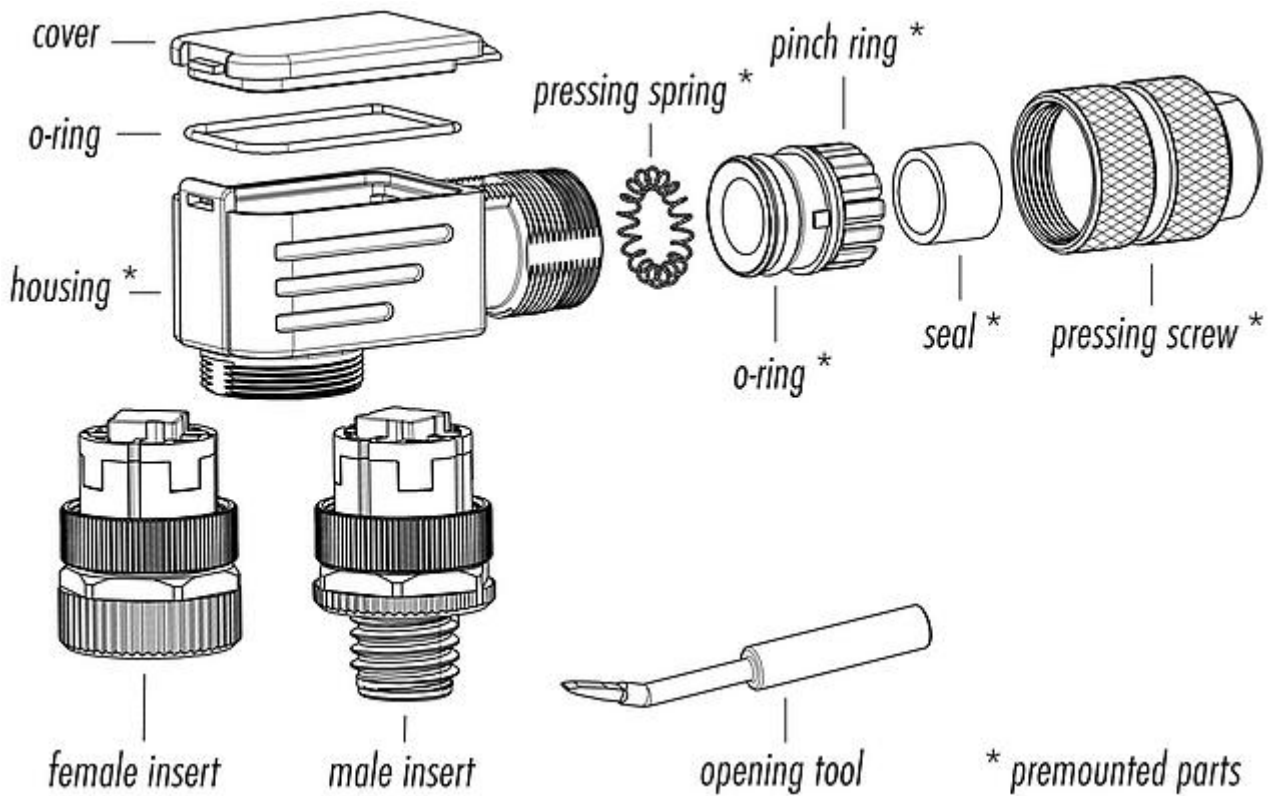
Declarations of conformity

| | |
|-----------------------|--|
| Low Voltage Directive | 2014/35/EU (EN 60204-1:2018;EN 60529:1991) |
|-----------------------|--|

Product description M12-A Female angled connector, Contacts: 5, 6.0-8.0 mm, shieldable, wire clamp, IP67

Area M12-A series 713
Part no. 99 1538 822 05

Component part drawing



Product description M12-A Female angled connector, Contacts: 5, 6.0-8.0 mm, shieldable, wire clamp, IP67

Area M12-A series 713
Part no. 99 1538 822 05

Assembly instructions

40
A abisolieren strip
abmonteln dismantle
6

Isolierhülse in Kupplungshülse fest verbaut
insulating sleeve tightly built into coupling sleeve

Schirm kürzen, aufweiten und auf Schirmring umschlagen
shorten and widening of shield and revert to shielding ring

Öffnungswerkzeug für Käfigzugfederversion
opening tool for wire clamp connection

| | Schraubklemmversion screw connection | Lötversion solder version | Käfigzugfederversion (ohne Isolierhülse) wire clamp connection (without insulating sleeve) |
|--------------------------|---|------------------------------|---|
| Maß A/mm measure A/mm | 5 | 3,5 | 7 |

| | |
|---------------------|---|
| Product description | M12-A Female angled connector, Contacts: 5, 6.0-8.0 mm, shieldable, wire clamp, IP67 |
| Area | M12-A series 713 |
| Part no. | 99 1538 822 05 |

General Disclaim Notice

The connectors have been developed for applications in plant engineering, control and electrical equipment construction. The user is responsible for checking whether the connectors can also be used in other areas of application.

Plug connectors with enclosure protection IP67 and IP68 are not suitable for use under water. When used outdoors, the plug connectors must be protected separately against corrosion. For further information on the IP protection classes, please refer to the "Technical Information" download centre.

To lock the cable connector with the device connector, the threaded ring is tightened "hand-tight" (approx. 60 cNm).