

Product data sheet

Miniature connectors

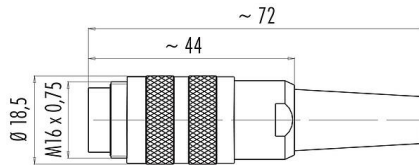


| | |
|---------------------|---|
| Product description | M16 IP40 Male cable connector, Contacts: 5 (05-b), 4.0-6.0 mm, shieldable, solder, IP40 |
| Area | M16 IP40 series 581 |
| Part no. | 99 2017 00 05 |

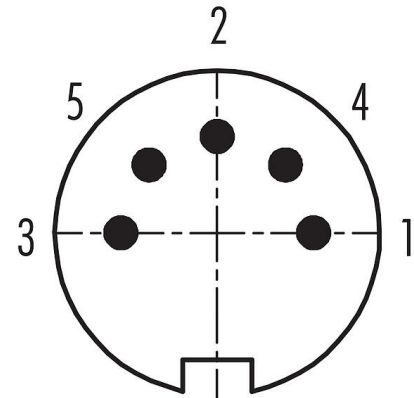
Illustration



Scale drawing



Contact arrangement (Plug-in side)



You can find the assembly instructions on the next page.

Technical data

General features

| | |
|---------------------------|------------------------------------|
| Part no. | 99 2017 00 05 |
| Connector design | Male cable connector |
| Version | Connector pin straight |
| Connector locking system | screw |
| Termination | solder |
| Degree of protection | IP40 |
| Cross-sectional area | max. 0.75 mm ² / AWG 18 |
| Cable outlet | 4.0-6.0 mm |
| Temperature range from/to | -40 °C / 85 °C |
| Mechanical operation | > 500 Mating cycles |
| Weight (g) | 25.27 |
| Customs tariff number | 85369010 |

Electrical parameters

| | |
|---------------------------|-----------------------|
| Rated voltage | 60 V |
| Rated impulse voltage | 500 V |
| Rated current (40 °C) | 6.0 A |
| Insulation resistance | $\geq 10^{10} \Omega$ |
| Pollution degree | 1 |
| Overvoltage category | I |
| Insulating material group | III |
| EMC compliance | shieldable |
| Shield connection | Solder lug |

Material

| | |
|-----------------------|----------------|
| Contact body material | PBT (UL94 V-0) |
|-----------------------|----------------|

Product data sheet

Miniature connectors



| | |
|---------------------|--|
| Product description | M16 IP40 Male cable connector, Contacts: 5 (05-b), 4.0-6.0 mm, shieldable, solder, IP40 |
| - | - |
| Area | M16 IP40 series 581 |
| Part no. | 99 2017 00 05 |

| | |
|------------------|--------------------------------------|
| Contact material | CuZn (brass) |
| Contact plating | Ag (silver) |
| REACH SVHC | CAS 7439-92-1 (Lead) |
| SCIP number | 1c39ee51-8fa3-4958-a531-71782ce01b8c |

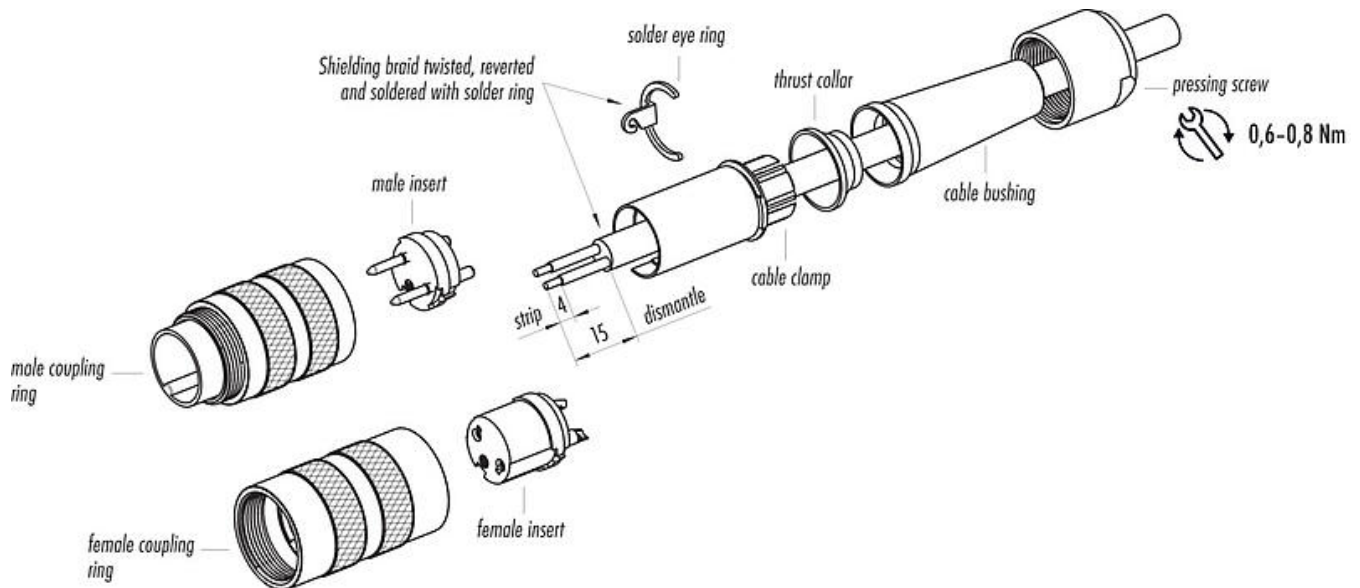
Classifications

| | |
|-------------|-------------|
| eCl@ss 11.1 | 27-44-01-02 |
| ETIM 7.0 | EC002635 |

Declarations of conformity

| | |
|-----------------------|--|
| Low Voltage Directive | 2014/35/EU (EN 60204-1:2018;EN 60529:1991) |
|-----------------------|--|

Assembly instructions



Product data sheet

Miniature connectors



| | |
|---------------------|--|
| Product description | M16 IP40 Male cable connector, Contacts: 5 (05-b), 4.0-6.0 mm, shieldable, solder, IP40 |
| - | - |
| Area | M16 IP40 series 581 |
| Part no. | 99 2017 00 05 |

General Disclaim Notice

The connectors have been developed for applications in plant engineering, control and electrical equipment construction. The user is responsible for checking whether the connectors can also be used in other areas of application.

To lock the cable connector with the device connector, the threaded ring is tightened "hand-tight" (approx. 50 cNm).