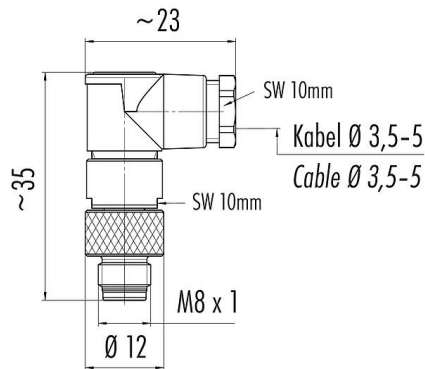


Product description	<b>M8 Male angled connector, Contacts: 4, 3.5-5.0 mm, unshielded, solder, IP67, UL</b>
Area	<b>M8 series 768</b>
Part no.	<b>99 3387 00 04</b>

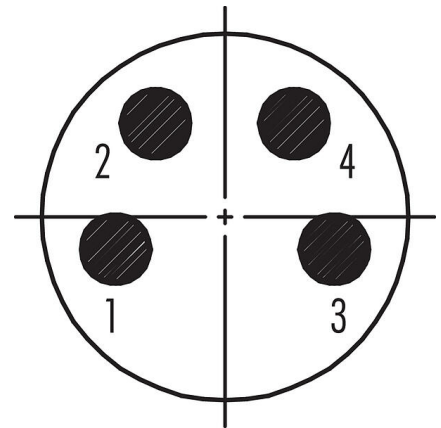
### Illustration



### Scale drawing



### Contact arrangement (Plug-in side)



You can find the component part drawing and assembly instructions on the next page.

## Technical data

### General features

Part no.	<b>99 3387 00 04</b>
Connector design	Male angled connector
Version	Connector pin angled
Connector locking system	screw
Termination	solder
Degree of protection	IP67
Cross-sectional area	0.25 mm <sup>2</sup> / AWG 24
Cable outlet	3.5-5.0 mm
Twistability	90° (4 coding options)
Temperature range from/to	-40 °C / 85 °C
Mechanical operation	> 100 Mating cycles
Weight (g)	8.47
Customs tariff number	85369010

### Electrical parameters

Rated voltage	60 V
Rated impulse voltage	1500 V
Rated current (40 °C)	4.0 A
Pollution degree	3
Overvoltage category	III
Insulating material group	III
EMC compliance	unshielded

# Product data sheet

## Automation technology - sensors and actuators



Product description	<b>M8 Male angled connector, Contacts: 4, 3.5-5.0 mm, unshielded, solder, IP67, UL</b>
Area	<b>M8 series 768</b>
Part no.	<b>99 3387 00 04</b>

### Material

Housing material	PA
Contact body material	PA
Contact material	CuZn (brass)
Contact plating	Au (gold)
Locking material	CuZn (brass)
REACH SVHC	CAS 7439-92-1 (Lead)
SCIP number	acea2b75-11f9-4897-ba0b-038c9250c15e

### Authorization/approvals

Approvals	UL
-----------	----

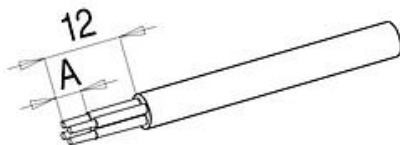
### Classifications

eCl@ss 11.1	27-44-01-02
ETIM 7.0	EC002635

### Declarations of conformity

Low Voltage Directive	2014/35/EU (EN 60204-1:2018;EN 60529:1991)
-----------------------	--

### Assembly instructions



	Schraubklemmversion	Lötversion
Maß A/mm	<b>4</b>	<b>3</b>

Product description	<b>M8 Male angled connector, Contacts: 4, 3.5-5.0 mm, unshielded, solder, IP67, UL</b>
Area	<b>M8 series 768</b>
Part no.	<b>99 3387 00 04</b>

**Component part drawing**



Product description	<b>M8 Male angled connector, Contacts: 4, 3.5-5.0 mm, unshielded, solder, IP67, UL</b>
Area	<b>M8 series 768</b>
Part no.	<b>99 3387 00 04</b>

### General Disclaim Notice

The connectors have been developed for applications in plant engineering, control and electrical equipment construction. The user is responsible for checking whether the connectors can also be used in other areas of application.

Plug connectors with enclosure protection IP67 and IP68 are not suitable for use under water. When used outdoors, the plug connectors must be protected separately against corrosion. For further information on the IP protection classes, please refer to the "Technical Information" download centre.

To lock the cable connector with the device connector, the threaded ring is tightened "hand-tight" (approx. 50 cNm).