

# Product data sheet

## Miniature connectors

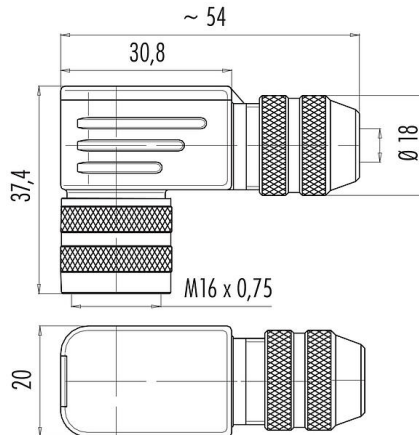


|                     |   |
|---------------------|---|
| Product description | <b>M16 IP67 Female angled connector, Contacts: 5 (05-a), 6.0-8.0 mm, shieldable, solder, IP67, UL</b> |
| Area                | <b>M16 IP67 series 423</b>  |
| Part no.            | <b>99 5614 75 05</b>  |

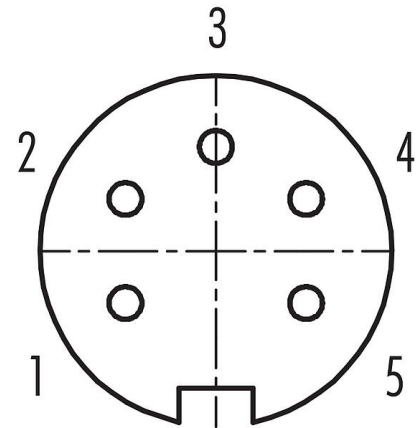
### Illustration



### Scale drawing



### Contact arrangement (Plug-in side)



You can find the assembly instructions on the next page.

### Technical data

#### General features

|                           |                                    |
|---------------------------|------------------------------------|
| Part no.                  | <b>99 5614 75 05</b>               |
| Connector design          | Female angled connector            |
| Version                   | Connector socket angled            |
| Connector locking system  | screw                              |
| Termination               | solder                             |
| Degree of protection      | IP67                               |
| Cross-sectional area      | max. 0.75 mm <sup>2</sup> / AWG 18 |
| Cable outlet              | 6.0-8.0 mm                         |
| Twistability              | 90° (4 coding options)             |
| Temperature range from/to | -30 °C / 95 °C                     |
| Mechanical operation      | > 500 Mating cycles                |
| Weight (g)                | 67.07                              |
| Customs tariff number     | 85369010                           |

#### Electrical parameters

|                           |                      |
|---------------------------|----------------------|
| Rated voltage             | 250 V                |
| Rated impulse voltage     | 1500 V               |
| Rated current (40 °C)     | 6.0 A                |
| Insulation resistance     | ≥ 10 <sup>10</sup> Ω |
| Pollution degree          | 1                    |
| Overvoltage category      | I                    |
| Insulating material group | III                  |
| EMC compliance            | shieldable           |
| Shield connection         | Shielding ring       |

# Product data sheet

## Miniature connectors

|                     |   |
|---------------------|---|
| Product description | <b>M16 IP67 Female angled connector, Contacts: 5 (05-a), 6.0-8.0 mm, shieldable, solder, IP67, UL</b> |
| Area                | <b>M16 IP67 series 423</b>  |
| Part no.            | <b>99 5614 75 05</b>  |

### Material

|                       |   |
|-----------------------|---|
| Housing material      | CuZn (Brass nickel plated)  |
| Contact body material | PBT (UL94 V-0)  |
| Contact material      | CuSn (bronze)   |
| Contact plating       | Ag (silver)   |
| REACH SVHC            | CAS-119-47-1 (2,2'-Methylenbis)<br>CAS 96-45-7 (Imidazolidine-2-thione)<br>CAS 7439-92-1 (Lead) |
| SCIP number           | 6b1cc220-c530-400b-9981-a08949b4bdb1  |

### Authorization/approvals

|           |    |
|-----------|----|
| Approvals | UL |
|-----------|----|

### Classifications

|             |             |
|-------------|-------------|
| eCl@ss 11.1 | 27-44-01-02 |
| ETIM 7.0    | EC002635    |

### Declarations of conformity

|                       |  |
|-----------------------|--|
| Low Voltage Directive | 2014/35/EU (EN 60204-1:2018;EN 60529:1991) |
|-----------------------|--|

### Assembly instructions

1. Bead parts.
2. Strip wires, shorten shield and thread wires through housing.
3. Solder wires, mount contact insert and twist sleeve.
4. Pull back cable, revert shield on shielding ring, mount shielding ring, seal and pinch ring.
5. Mount distance sleeve, mount seal to cover, insert cover and turn on pressing screw to fix the cable.

|                     |   |
|---------------------|---|
| Product description | <b>M16 IP67 Female angled connector, Contacts: 5 (05-a), 6.0-8.0 mm, shieldable, solder, IP67, UL</b> |
| Area                | <b>M16 IP67 series 423</b>  |
| Part no.            | <b>99 5614 75 05</b>  |

## General Disclaim Notice

The connector must not be plugged or unplugged under load. Non-observance and improper use can result in personal injury.

The connectors have been developed for applications in plant engineering, control and electrical equipment construction. The user is responsible for checking whether the connectors can also be used in other areas of application.

Connectors which are used in circuits with voltages dangerous to the touch may only be installed and used by, or under the supervision of, persons with electrical engineering training, taking into account the applicable regulations and standards.

Plug connectors with enclosure protection IP67 and IP68 are not suitable for use under water. When used outdoors, the plug connectors must be protected separately against corrosion. For further information on the IP protection classes, please refer to the "Technical Information" download centre.

The plug connector is not suitable for mains voltages. Please observe the pollution degree and the overvoltage category. For further information, please refer to the download center "Technical Information".

To lock the cable connector with the device connector, the threaded ring is tightened "hand-tight" (approx. 50 cNm).