

80 mm sq.

San Ace 80

15mm thick (9GA type), 15mm thick (9P type), 20mm thick (9GA type)
 20mm thick (9P type), 25mm thick (9GA type), 25mm thick (9S type)
 25mm thick (9GV type), 25mm thick (9R type)
 25mm thick (San Cooler) (9A type), **32mm thick (9GA type)**
 32mm thick (9P type), 38mm thick (9HV type), 38mm thick (9GA type)
 38mm thick (9GV type), 38mm thick (9G type)



General Specifications

- Material Frame: Plastics (Flammability: UL94V-0),
Impeller: Plastics (Flammability: UL94V-0)
- Expected Life Refer to specifications (L10: Survival rate: 90% at 60°C ,
rated voltage, and continuously run in a free air state)
- Lead Wire ⊕red ⊖black (Sensor) yellow (Control) brown
- Storage Temperature -30°C to +70°C (Non-condensing)

80×80×32mm (Mass : 130g) **9GA type** **High Airflow Low Power Consumption Fan**



Specifications

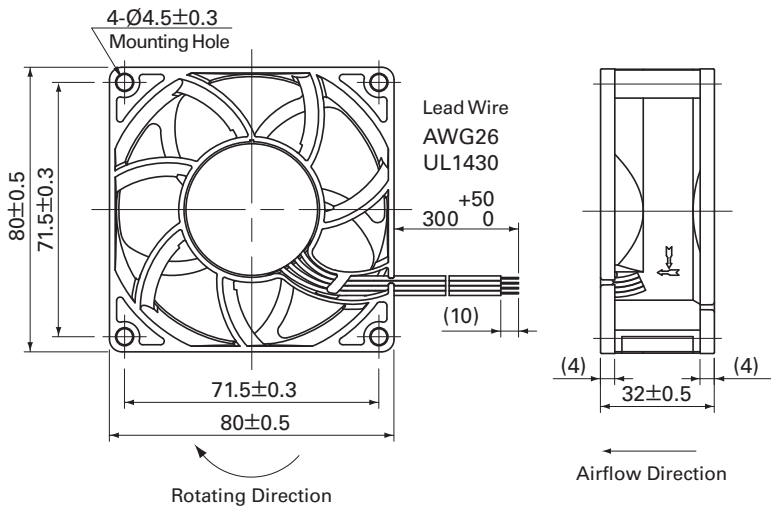
The following nos. **have PWM controls, pulse sensors, and ribs.** For ribless, append "1" to the model no.

Model No.	Rated Voltage [V]	Operating Voltage Range [V]	PWM duty cycle* [%]	Rated Current [A]	Rated Input [W]	Rated Speed [min ⁻¹]	Max. Airflow [m ³ /min] [CFM]	Max. Static Pressure [Pa] [inchH ₂ O]	SPL [dB(A)]	Operating Temperature [°C]	Expected Life [h]			
9GA0812P2S001	12	10.2 to 13.8	100	0.83	9.96	9,700	2.45 86.5	360 1.45	57	-20 to +70	40,000			
			0	0.08	0.96	2,800	0.71 25.1	30 0.12	24					
9GA0812P2H001			100	0.59	7.08	8,700	2.20 77.7	294 1.18	54					
			0	0.05	0.6	2,600	0.66 23.3	26 0.105	21					
9GA0812P2M001	12	10.2 to 12.6	100	0.35	4.2	6,700	1.69 59.6	171 0.68	47	-20 to +55				
			0	0.04	0.48	1,400	0.35 12.3	7.5 0.03	10					
9GA0824P2S001			24	20.4 to 27.6	100	0.42	10.1	9,700	2.45 86.5			360 1.45	57	-20 to +70
					0	0.05	1.2	2,800	0.71 25.1			30 0.12	24	

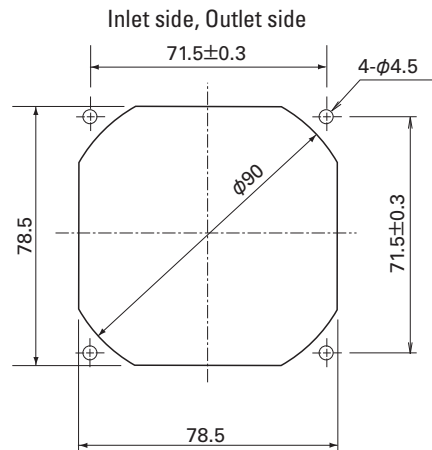
*PWM Frequency : 25kHz

Some models can also be equipped with pulse sensors (no PWM control functions) as an option. Please refer to the index (pp. 417 to 437).

Dimensions (unit : mm) (With ribs)



Reference Dimension of Mounting Holes and Vent Opening (unit : mm)



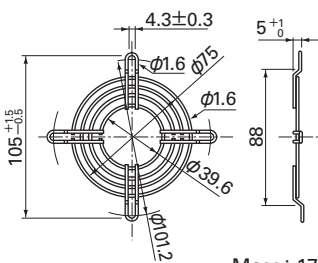
Options (unit : mm)

Finger Guards

Model : 109-049C Surface treatment : Nickel-chrome plating (silver) Color

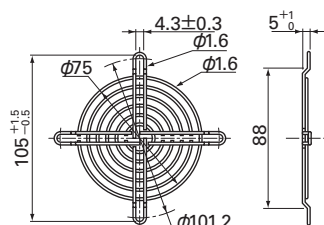
Model : 109-049E Surface treatment : Nickel-chrome plating (silver) Color
 : 109-049H : Cation electropainting (black)

Outlet side



Mass : 17g

Inlet side, Outlet side

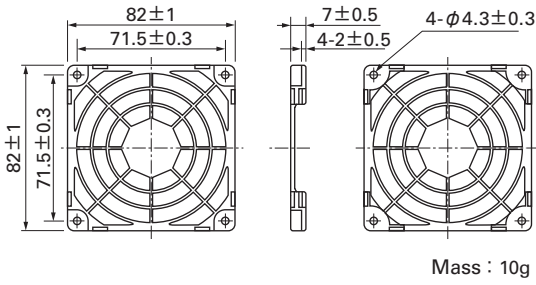


Mass : 21g

Options (unit : mm)

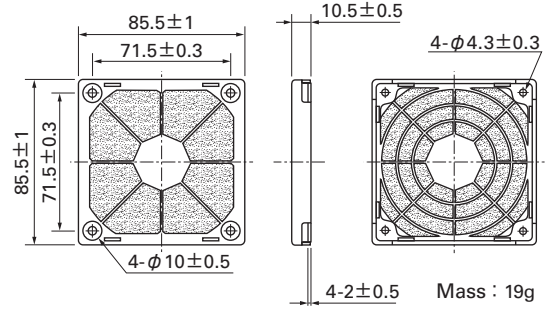
Resin Finger Guards

Model : 109-1002G



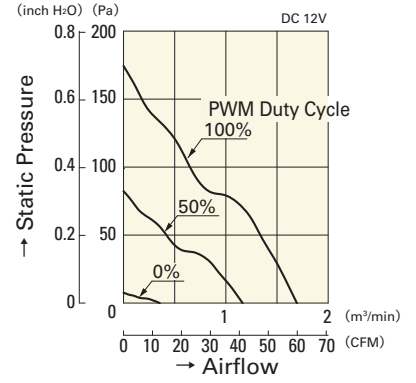
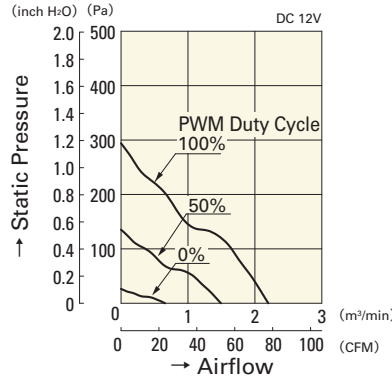
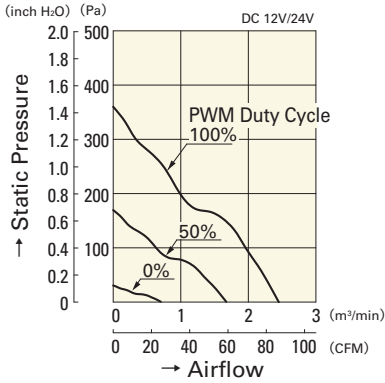
Resin Filter Kits

Model : 109-1002F13 (13PPI), 109-1002F20 (20PPI)
: 109-1002F30 (30PPI), 109-1002F40 (40PPI)



Airflow - Static Pressure Characteristics

PWM Duty Cycle



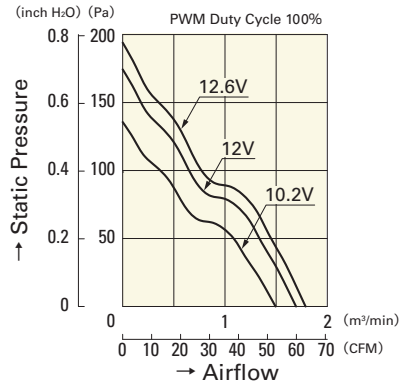
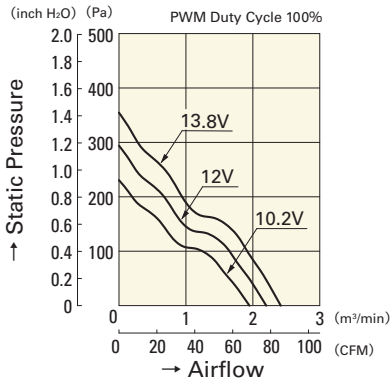
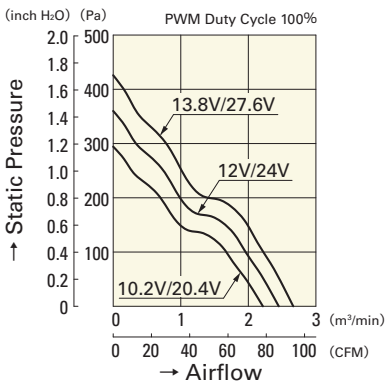
9GA0812P2S001

9GA0824P2S001

9GA0812P2H001

9GA0812P2M001

Operating Voltage Range



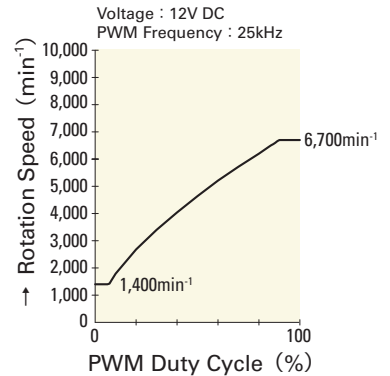
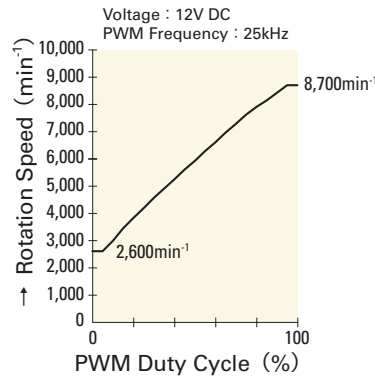
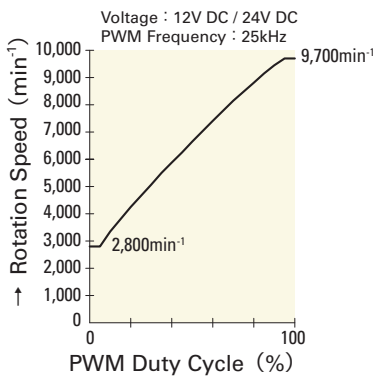
9GA0812P2S001

9GA0824P2S001

9GA0812P2H001

9GA0812P2M001

PWM Duty - Speed Characteristics Example



9GA0812P2S001

9GA0824P2S001

9GA0812P2H001

9GA0812P2M001