

Solid State Relays Accessories Types BBR, RHS 00, KK071

Protection Covers, DIN-Rail Adapter

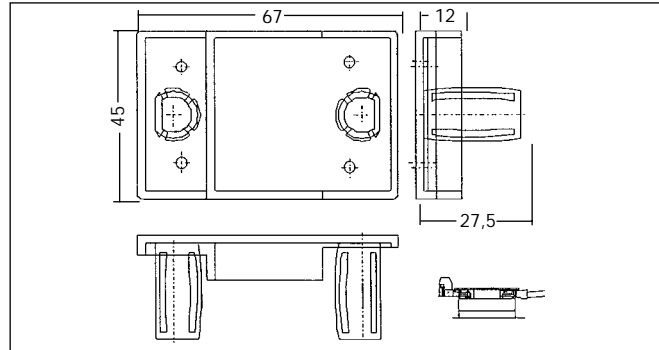
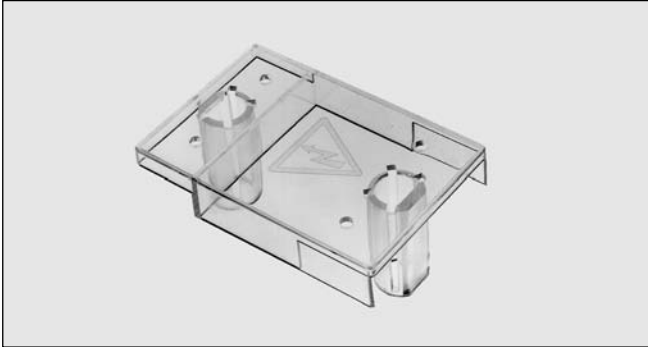


BBR

Cover for 1-phase SSRs. In order to achieve a higher protection degree for 1-phase relays, the cover must be mounted correctly on top of the relay.

Material
Colour

Plastic
Transparent



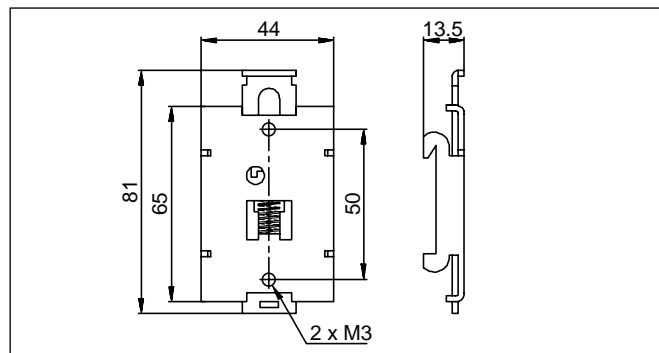
Dimensions in mm

RHS 00

DIN rail adapter RHS 00 is intended for mounting a heatsink assembly or a 1-phase relay directly on a DIN-rail.

Material

Electroplated steel



Dimensions in mm

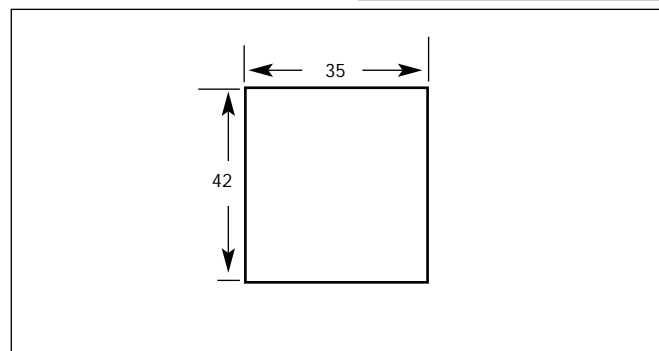
KK071CUT

Pack of 50 pieces thermal pad size 35 x 42mm intended to be affixed to SSR for thermal transfer between SSR and heatsink.

Material

Thermally conductive
polyimide film
 $R_{th_{cs}}$
0.4 K/W

$R_{th_{cs}}$



Dimensions in mm

Protection Covers, DIN-Rail Adapter, Thermal Pad for PCB SSRs

DIN Rail adapter module intended for mounting of PCB relays series RP on DIN rail. RPM1 is intended for 230 VAC modules. For higher nominal operational voltages RPM2 is available. RP SSR is not included. Add 'M1' or 'M2' suffix to RP type for mounting of RP SSR to DIN rail adaptor.

Ordering Key

RPM1 V

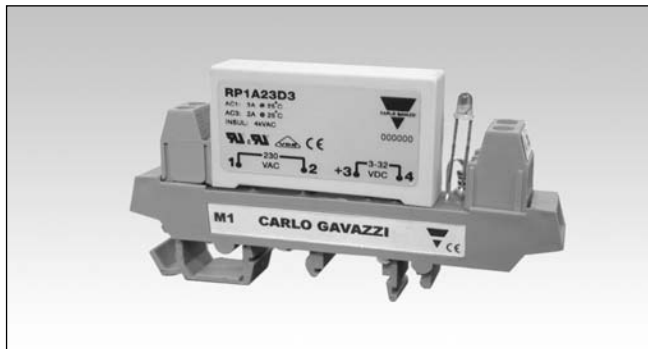
RP DIN rail adaptor module
Options

V: Integrated varistor across RPM1 output terminals

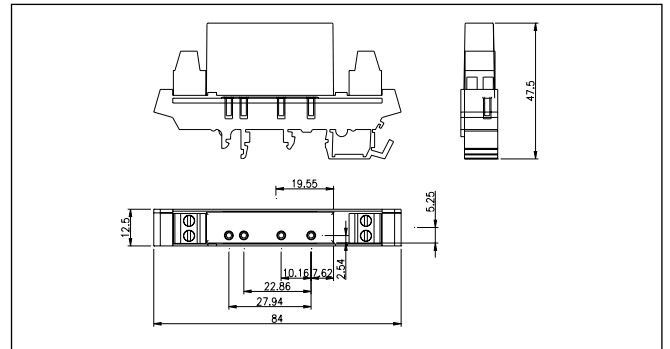
P: RPM1 with pins for easy removal of RP unit*

PD: RPM1 with pins for easy removal of RP unit including an LED for control status indication *

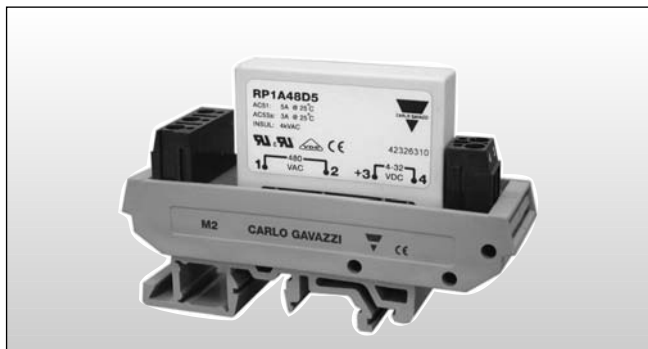
* Not available with RPM2



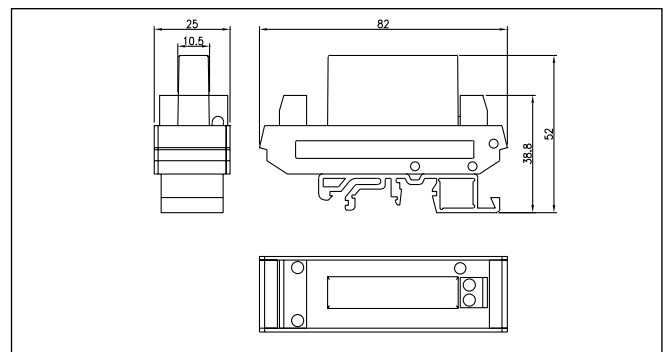
RPM1



Dimensions in mm



RPM2



Dimensions in mm

Housing Specifications

Housing material	PA, green, UL94 V0
Weight	
RPM1	approx. 15g
RPM2	approx. 20g
Terminal screws	M3
Terminal cable size max. (stranded)	1.5mm ²
Mounting torque max.	0.5 Nm
Operating temperature	-20° to + 70°C [-4 to +158°F]
Storage temperature	-40° to + 100°C [-40° to +212°F]
DIN rail guide	DIN EN 50022, 50035