

DC 7015



SIZE :

70x70x15mm (2.76"x2.76"x0.59")

CONSTRUCTION :

Glass fiber reinforced plastic:

Impeller and housing PBT are UL 94V-0 rating

OPERATING TEMPERATURE :

Ball bearing - 30°C to +75°C

Sleeve bearing - 10°C to +70°C

INSULATION RESISTANCE :

10meg Ohm min. at 500 VDC
(between frame and terminal)

DIELECTRIC STRENGTH :

5mA max. at 500 VAC 60Hz one minute
(between frame and terminal)

FUNCTION :

frequency generator signal option

WEIGHT :

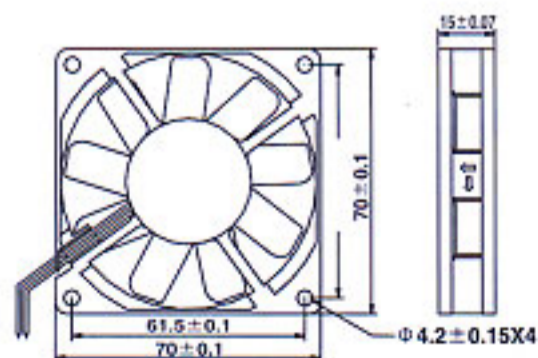
51 grams

Specifications

Specifications are subject to change without notice

MODEL NO.	BEARING	RATED VOLTAGE	OPERATING VOLTAGE RANGE	RATED CURRENT	RATED INPUT POWER	SPEED R.P.M.	MAX. AIR FLOW		MAX. AIR PRESSURE		NOISE dB-A
		VDC	V	A	W		m ³ /min	CFM	mmH ₂ O	IN H ₂ O	
BP701512L	Ball	12	10.2-13.8	0.15	1.80	3500	0.79	27.78	3.48	0.14	31
SP701512L	Sleeve										
BS701512L	Ball & Sleeve										
BP701512M	Ball	12	10.2-13.8	0.24	2.88	4000	0.91	32	4.6	0.18	35
SP701512M	Sleeve										
BS701512M	Ball & Sleeve										
BP701512H	Ball	12	10.2-13.8	0.28	3.36	4500	1.03	36.26	5.84	0.23	39
SP701512H	Sleeve										
BS701512H	Ball & Sleeve										
BP701512HH	Ball	12	10.2-13.8	0.34	4.08	5000	1.16	40.54	7.48	0.29	41
SP701512HH	Sleeve										
BS701512HH	Ball & Sleeve										

Dimensions (mm)



Performance Curve

