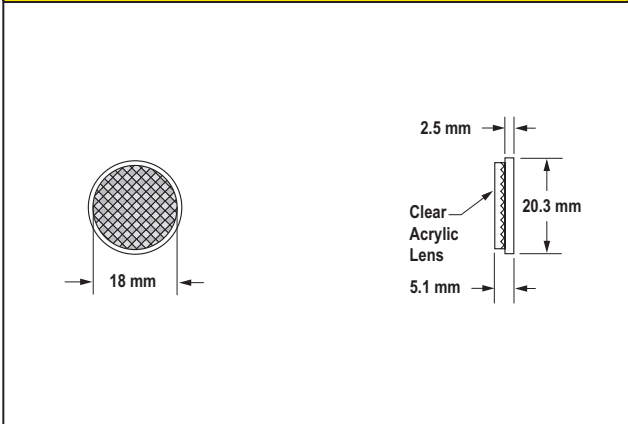
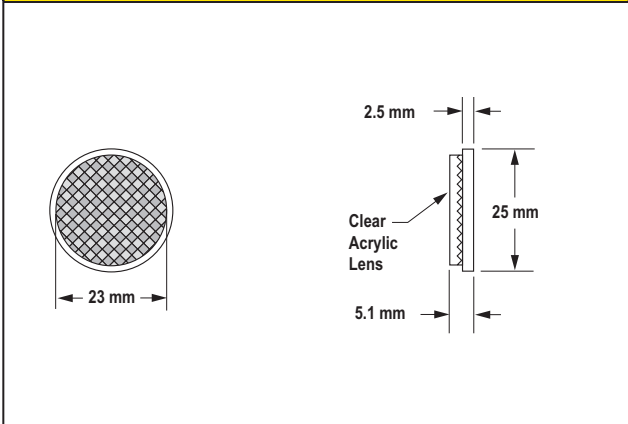


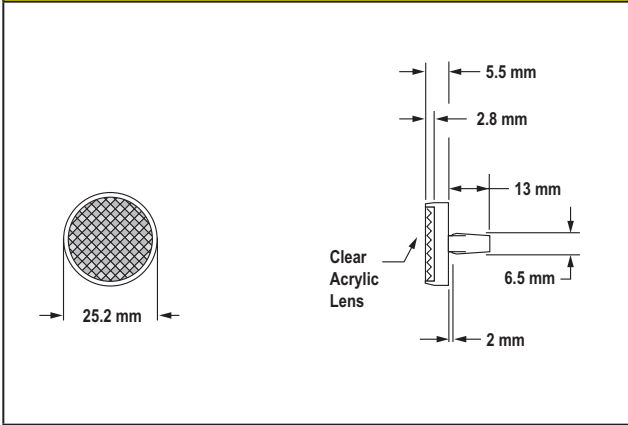
BRT-6
Description: Round, acrylic target
Reflectivity Factor: 1.0
Max. Temperature: 65° C



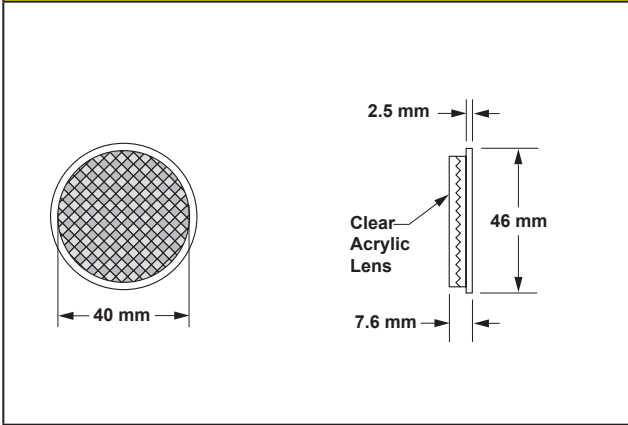
BRT-1
Description: Round, acrylic target
Reflectivity Factor: 1.0
Max. Temperature: 65° C



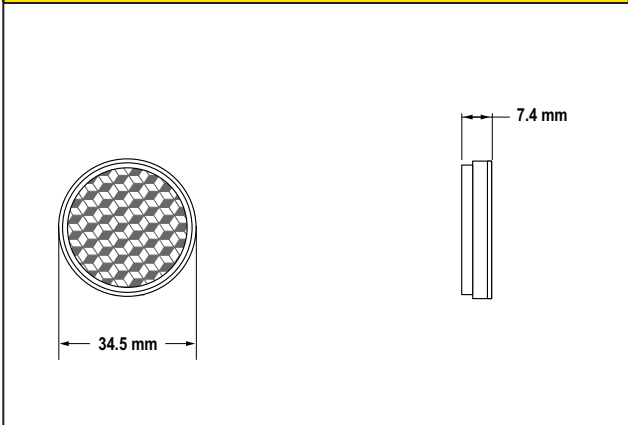
BRT-25R
Description: Round, rivet-secured acrylic target
Reflectivity Factor: 1.0
Max. Temperature: 50° C



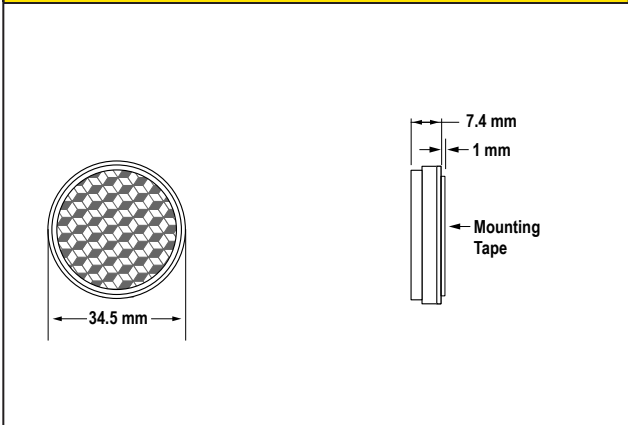
BRT-1.5
Description: Round, acrylic target
Reflectivity Factor: 1.0
Max. Temperature: 65° C



BRT-34
Description: Round, acrylic target
Reflectivity Factor: 1.2
Max. Temperature: 65° C



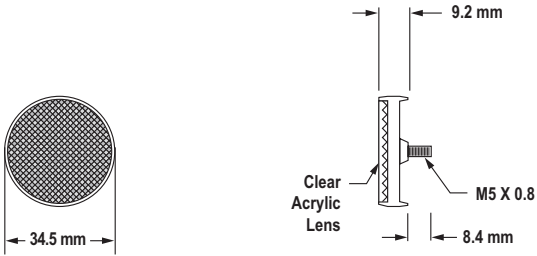
BRT-34T
Description: Round, acrylic target includes mounting tape
Reflectivity Factor: 1.2
Max. Temperature: 65° C



- BRACKETS
- CABLES
- RETROREFLECTORS
- ENCLOSURES/ LENS SHIELDS
- MISCELLANEOUS

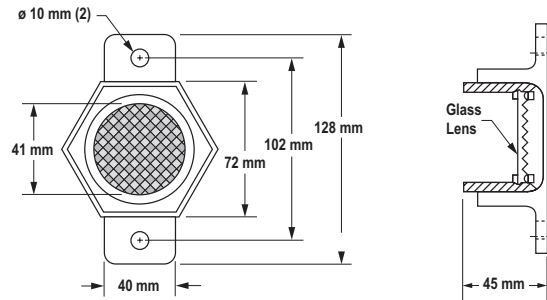
BRT-35DM

Description: Round, acrylic target with mounting stud
 Reflectivity Factor: 1.2
 Max. Temperature: 50° C
 Other: This target has micro-prism geometry.



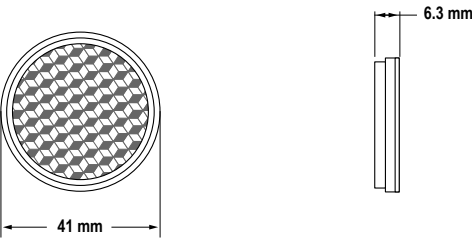
BRT-41AHT

Description: Round, borosilicate (Pyrex type) glass target
 Reflectivity Factor: 1.0
 Max. Temperature: 200° C



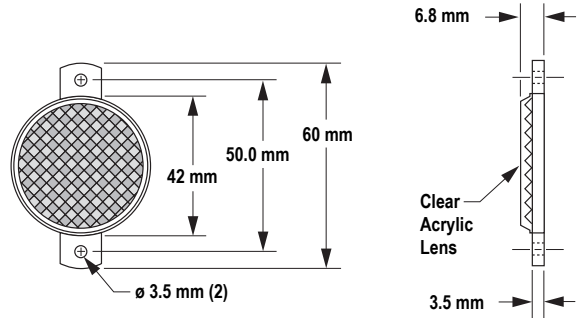
BRT-42

Description: Round, acrylic target
 Reflectivity Factor: 1.0
 Max. Temperature: 65° C



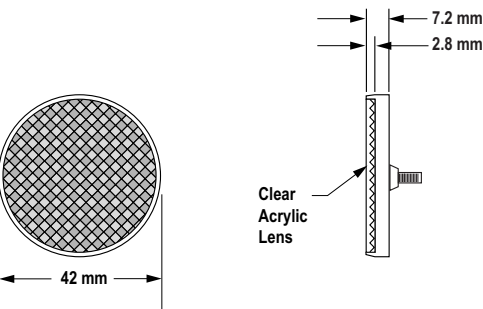
BRT-42A

Description: Round, acrylic target
 Reflectivity Factor: 1.0
 Max. Temperature: 50° C



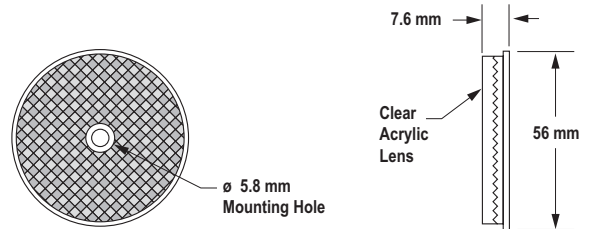
BRT-42D

Description: Round, acrylic target with mounting stud
 Reflectivity Factor: 1.0
 Max. Temperature: 50° C



BRT-2A

Description: Round, acrylic target
 Reflectivity Factor: 1.0
 Max. Temperature: 65° C



BRACKETS

CABLES

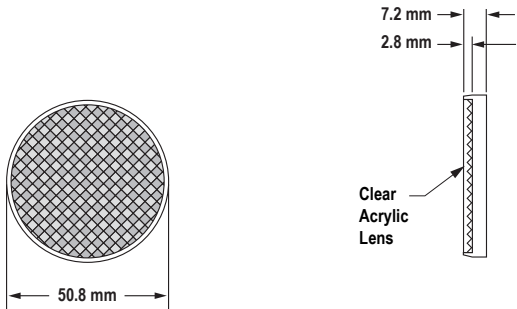
RETROREFLECTORS

ENCLOSURES/
LENS SHIELDS

MISCELLANEOUS

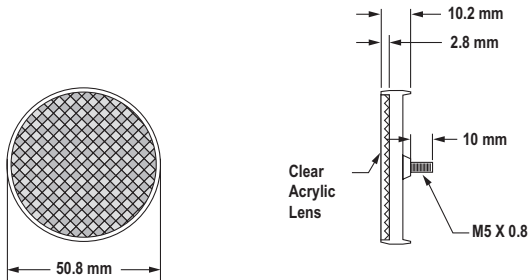
BRT-50

Description: Round, acrylic target
Reflectivity Factor: 1.0
Max. Temperature: 65° C



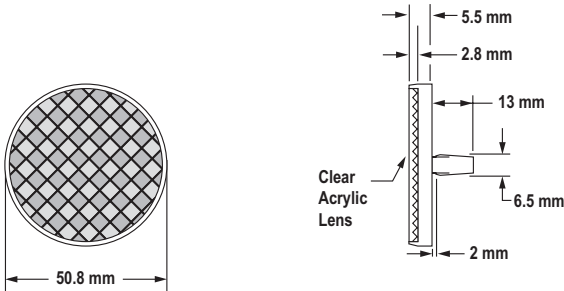
BRT-50D

Description: Round, acrylic target with mounting stud
Reflectivity Factor: 1.0
Max. Temperature: 65° C
Other: Optional brackets are available. See page 376.



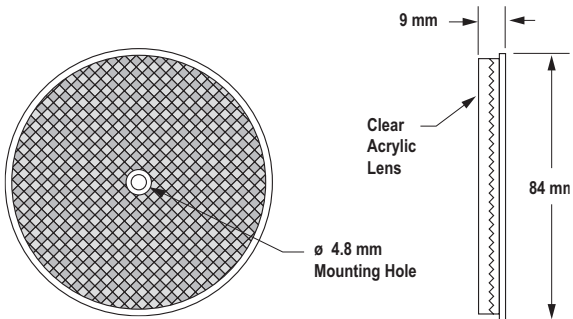
BRT-50R

Description: Round, rivet-secured acrylic target
Reflectivity Factor: 1.0
Max. Temperature: 50° C
Other: Optional brackets are available. See page 376.



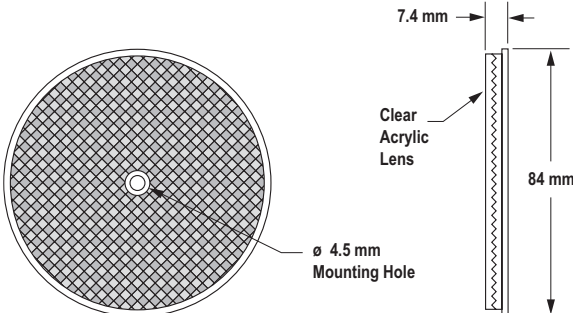
BRT-3

Description: Round, acrylic target
Reflectivity Factor: 1.0
Max. Temperature: 65° C
Other: Optional brackets are available. See page 376.



BRT-84

Description: Round, acrylic target
Reflectivity Factor: 1.4
Max. Temperature: 65° C
Other: Optional brackets are available. See page 376.



- BRACKETS
- CABLES
- RETROREFLECTORS
- ENCLOSURES/ LENS SHIELDS
- MISCELLANEOUS

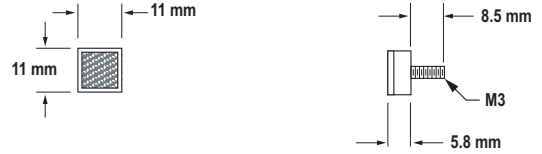
BRT-11X11M

Description: Square, acrylic target
 Reflectivity Factor: 1.2
 Max. Temperature: 65° C
 Other: This target has micro-prism geometry.



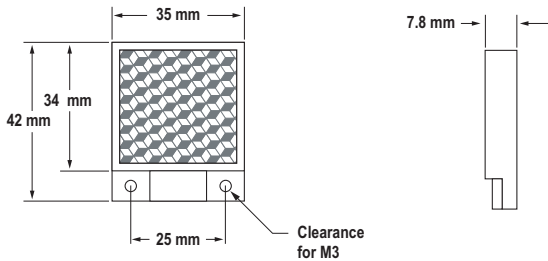
BRT-11X11MD

Description: Square, acrylic target with mounting stud
 Reflectivity Factor: 1.2
 Max. Temperature: 65° C
 Other: This target has micro-prism geometry.



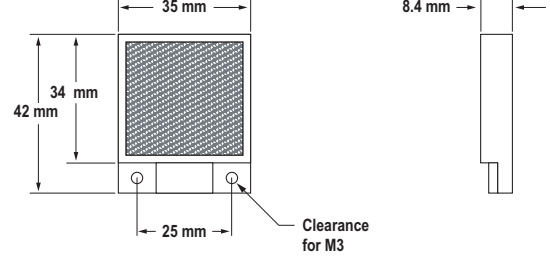
BRT-35X35B

Description: Square, acrylic target
 Reflectivity Factor: 1.3
 Max. Temperature: 65° C



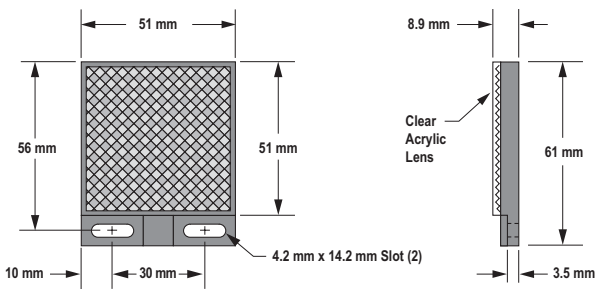
BRT-35X35BM

Description: Square, acrylic target
 Reflectivity Factor: 1.2
 Max. Temperature: 65° C
 Other: This target has micro-prism geometry.



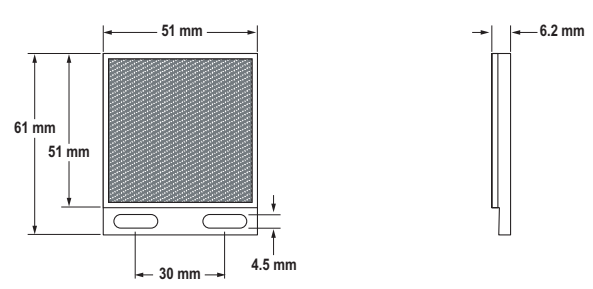
BRT-2X2

Description: Square, acrylic target
 Reflectivity Factor: 1.0
 Max. Temperature: 50° C
 Others: Optional brackets are available. See page 376.



BRT-51X51BM

Description: Square, acrylic target
 Reflectivity Factor: 1.5 Max. Temperature: 50° C
 Other: This target has micro-prism geometry. Optional brackets are available on page 376. Replaces reflector BRT-36X40BM.



BRACKETS

CABLES

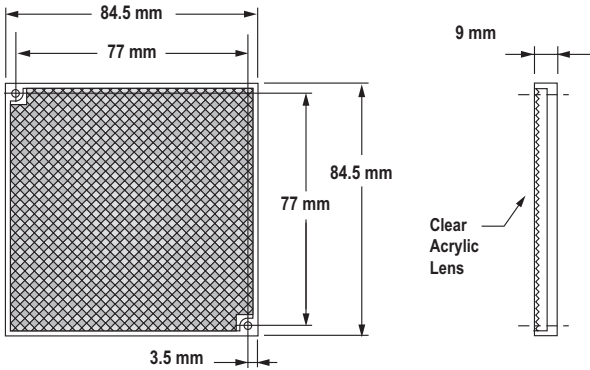
RETROREFLECTORS

ENCLOSURES/
LENS SHIELDS

MISCELLANEOUS

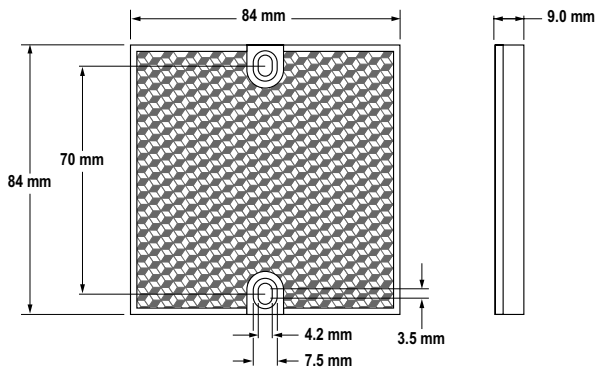
BRT-77X77C

Description: Square, acrylic target
Reflectivity Factor: 2.0
Max. Temperature: 50° C
Other: Optional brackets are available. See page 376.



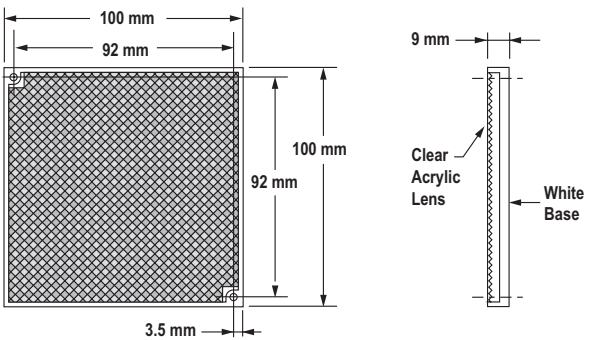
BRT-84X84A

Description: Square, acrylic target
Reflectivity Factor: 2.0
Max. Temperature: 50° C



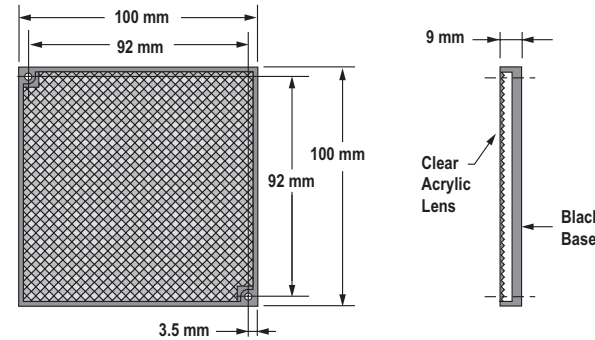
BRT-92X92C

Description: Square, acrylic target
Reflectivity Factor: 3.0
Max. Temperature: 50° C
Other: Optional brackets are available. See page 376.



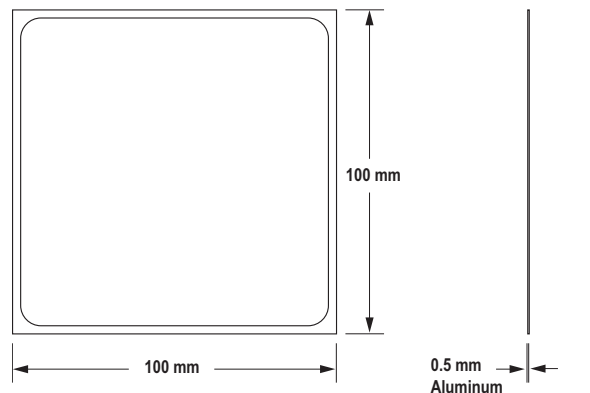
BRT-92X92CB

Description: Square, acrylic target with black mounting base
Reflectivity Factor: 3.0
Max. Temperature: 50° C
Other: Optional brackets are available. See page 376.



BRT-4HT

Description: Square, aluminum target
Reflectivity Factor: 0.15
Max. Temperature: 480° C
Other: This target is not recommended for polarized retroreflective sensors.



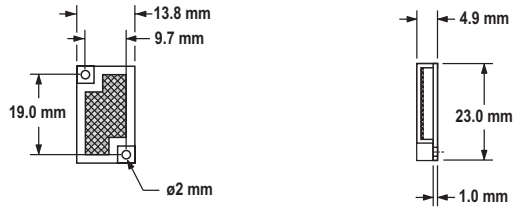
- BRT-250 • 250 x 250 mm
- BRT-540 • 540 x 540 mm
- BRT-700 • 700 x 700 mm

Other: Square reflector with rigid aluminum backing for use with LT7



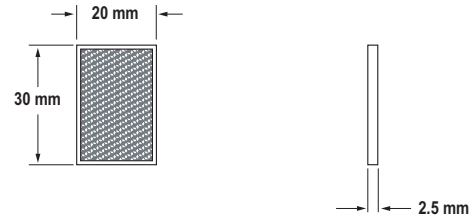
BRT-23X14CM

Description: Rectangular, acrylic target
 Reflectivity Factor: 1.2
 Max. Temperature: 65° C
 Other: This target has micro-prism geometry.



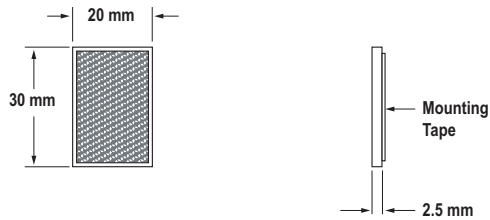
BRT-30X20M

Description: Rectangular, acrylic target
 Reflectivity Factor: 1.2
 Max. Temperature: 65° C



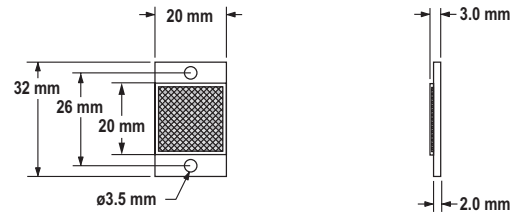
BRT-30X20MT

Description: Rectangular, acrylic target includes mounting tape
 Reflectivity Factor: 1.2
 Max. Temperature: 65° C



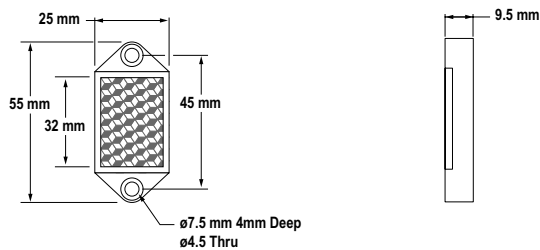
BRT-32X20AM

Description: Rectangular, thin profile acrylic target
 Reflectivity Factor: 1.2
 Max. Temperature: 65° C
 Other: This target has micro-prism geometry.



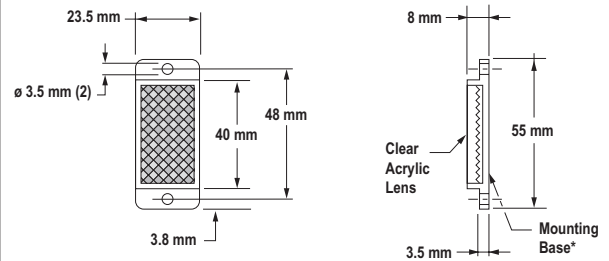
BRT-32X22A

Description: Rectangular, acrylic target
 Reflectivity Factor: 1.3
 Max. Temperature: 65° C



**BRT-35X20A
 BRT-35X20AB**

Description: Rectangular, acrylic target*
 Reflectivity Factor: 1.4
 Max. Temperature: 50° C



BRACKETS

CABLES

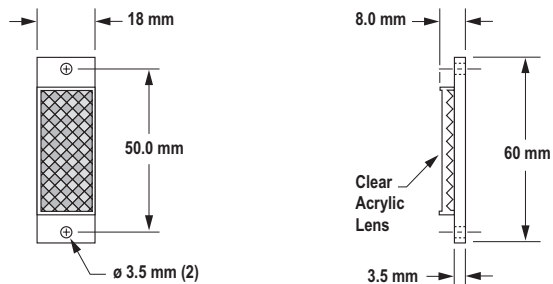
RETROREFLECTORS

ENCLOSURES/
 LENS SHIELDS

MISCELLANEOUS

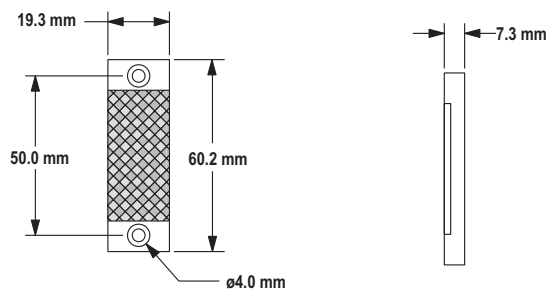
BRT-40X18A

Description: Rectangular, acrylic target
 Reflectivity Factor: 1.0
 Max. Temperature: 50° C



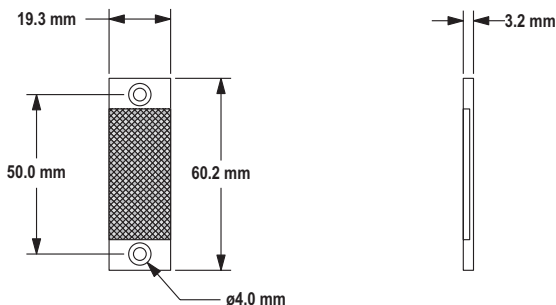
BRT-40X19A

Description: Rectangular, acrylic target
 Reflectivity Factor: 1.3
 Max. Temperature: 50° C



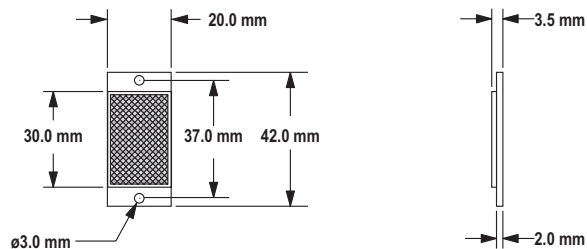
BRT-40X19AM

Description: Rectangular, thin profile acrylic target
 Reflectivity Factor: 1.2
 Max. Temperature: 50° C
 Other: This target has micro-prism geometry.



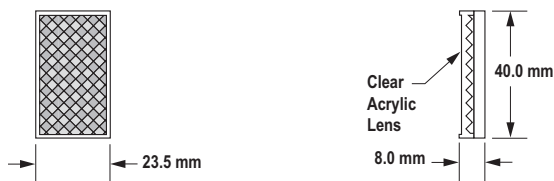
BRT-40X20AM

Description: Rectangular, thin profile acrylic target
 Reflectivity Factor: 1.2
 Max. Temperature: 50° C
 Other: This target has micro-prism geometry.



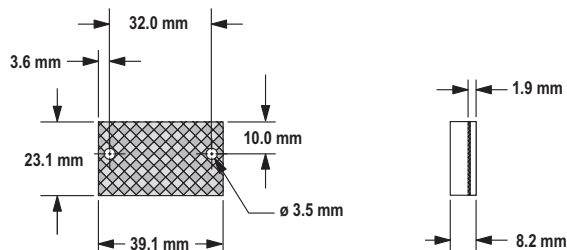
BRT-40X23

Description: Rectangular, acrylic target
 Reflectivity Factor: 1.4
 Max. Temperature: 50° C



BRT-40X23A

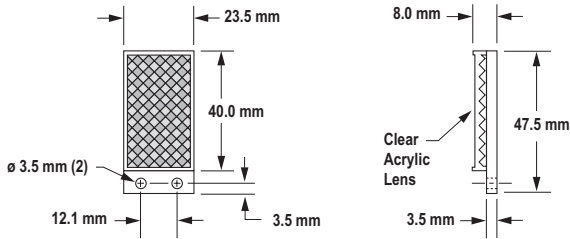
Description: Rectangular, acrylic target
 Reflectivity Factor: 1.4
 Max. Temperature: 50° C



- BRACKETS
- CABLES
- RETROREFLECTORS
- ENCLOSURES/ LENS SHIELDS
- MISCELLANEOUS

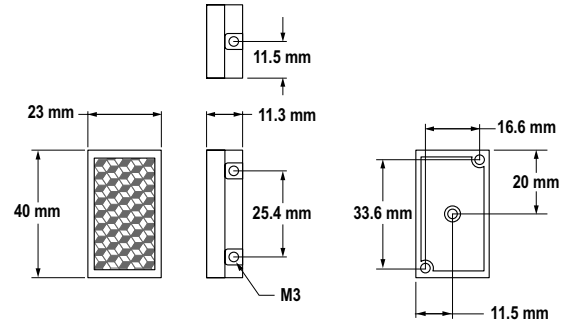
BRT-40X23B

Description: Rectangular, acrylic target
 Reflectivity Factor: 1.4
 Max. Temperature: 50° C



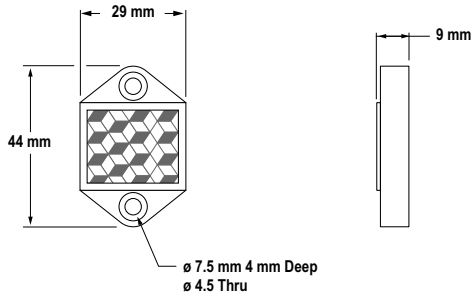
BRT-40X23ABC

Description: Rectangular, acrylic target
 Reflectivity Factor: 1.4
 Max. Temperature: 50° C



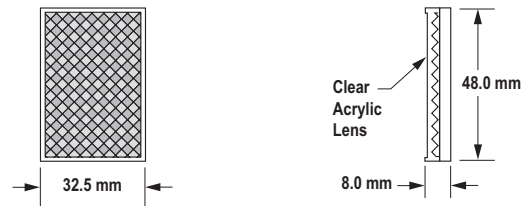
BRT-44X29A6

Description: Rectangular, acrylic target
 Reflectivity Factor: 1.1
 Max. Temperature: 50° C
 Other: 6 mm facets; close to the face retroreflective sensing with bifurcated lens.



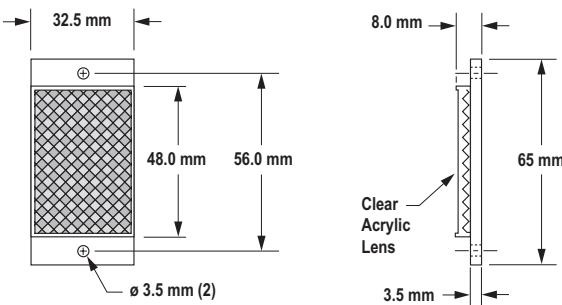
BRT-48X32

Description: Rectangular, acrylic target
 Reflectivity Factor: 1.0
 Max. Temperature: 50° C



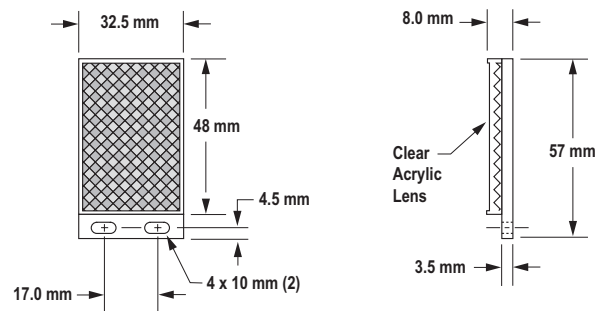
BRT-48X32A

Description: Rectangular, acrylic target
 Reflectivity Factor: 1.0
 Max. Temperature: 50° C



BRT-48X32B

Description: Rectangular, acrylic target
 Reflectivity Factor: 1.0
 Max. Temperature: 50° C



BRACKETS

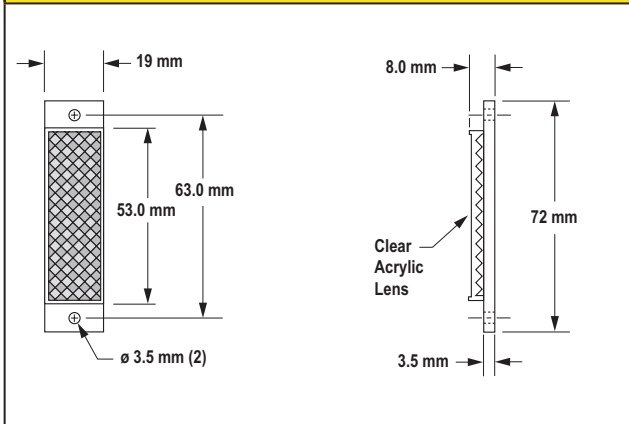
CABLES

RETROREFLECTORS

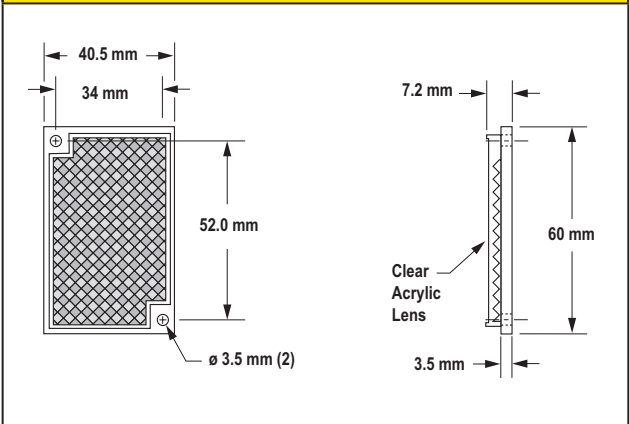
ENCLOSURES/
LENS SHIELDS

MISCELLANEOUS

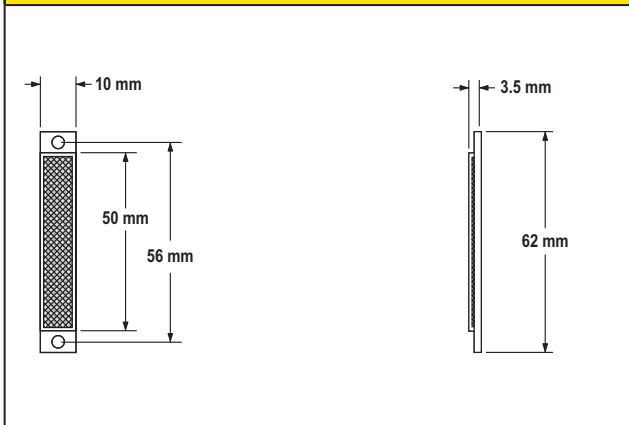
BRT-53X19A
 Description: Rectangular, acrylic target
 Reflectivity Factor: 1.4
 Max. Temperature: 50° C



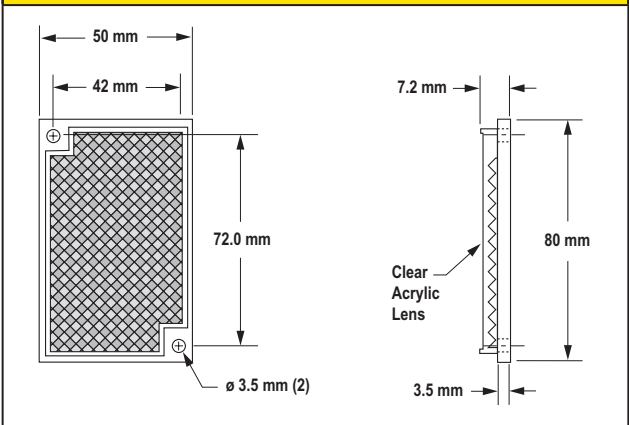
BRT-60X40C
 Description: Rectangular, acrylic target
 Reflectivity Factor: 1.4 Max. Temperature: 50° C
 Other: This target has micro-prism geometry. Optional brackets are available. See page 376.



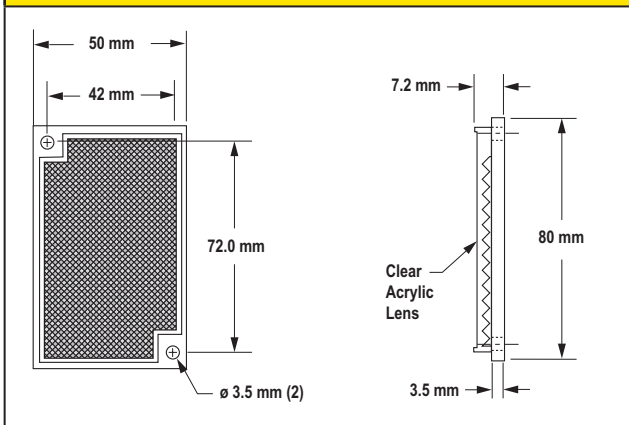
BRT-62X10AM
 Description: Rectangular, thin profile acrylic target
 Reflectivity Factor: 1.2
 Max. Temperature: 65° C
 Other: This target has micro-prism geometry.



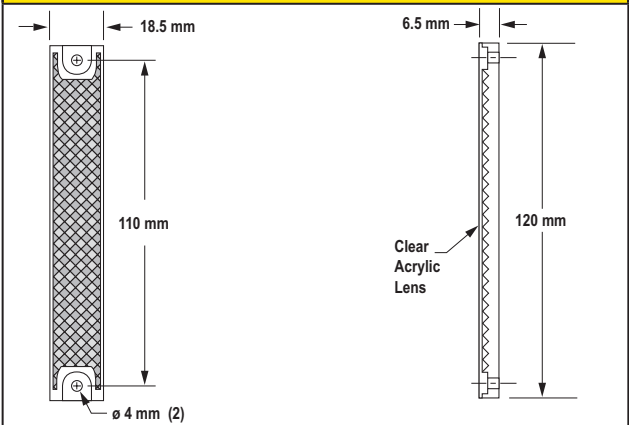
BRT-80X50C
 Description: Rectangular, acrylic target
 Reflectivity Factor: 1.4
 Max. Temperature: 65° C



BRT-80X50CM
 Description: Rectangular, acrylic target
 Reflectivity Factor: 1.4
 Max. Temperature: 65° C
 Other: This target has micro-prism geometry.



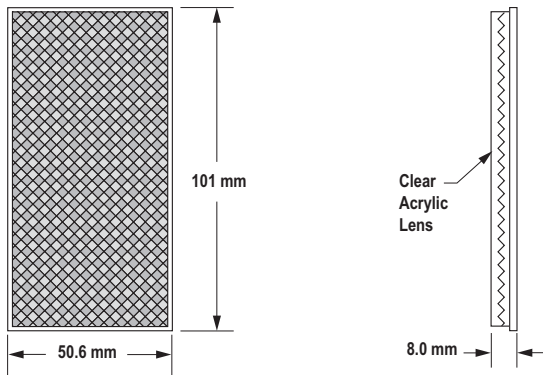
BRT-100X18A
 Description: Rectangular, acrylic target
 Reflectivity Factor: 1.4
 Max. Temperature: 50° C



- BRACKETS
- CABLES
- RETROREFLECTORS
- ENCLOSURES/
LENS SHIELDS
- MISCELLANEOUS

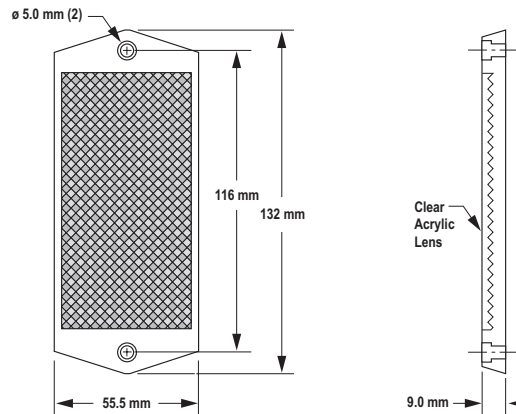
BRT-100X50

Description: Rectangular, acrylic target
 Reflectivity Factor: 1.5
 Max. Temperature: 50° C



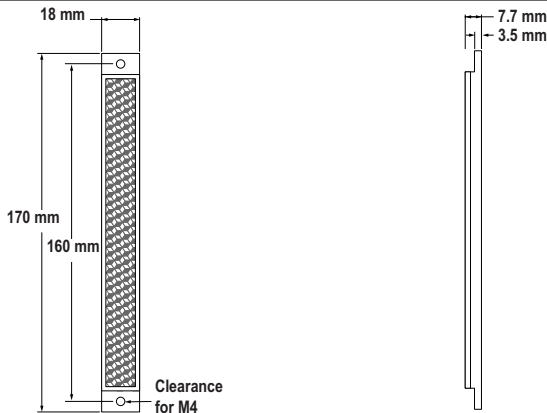
BRT-100X55A

Description: Rectangular, acrylic target
 Reflectivity Factor: 1.5
 Max. Temperature: 50° C



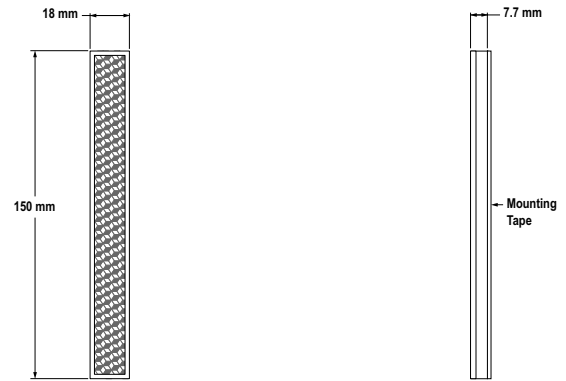
BRT-150X18A

Description: Rectangular, acrylic target
 Reflectivity Factor: 1.4
 Max. Temperature: 65° C



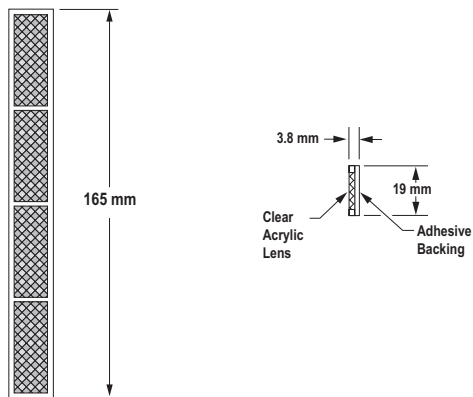
BRT-150X18T

Description: Rectangular, acrylic target includes mounting tape.
 Reflectivity Factor: 1.4
 Max. Temperature: 65° C



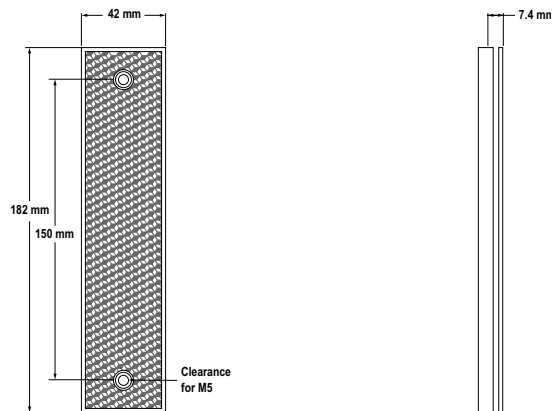
BRT-L

Description: Rectangular, acrylic target
 Reflectivity Factor: 0.8
 Max. Temperature: 65° C



BRT-180X40A

Description: Rectangular, acrylic target
 Reflectivity Factor: 1.4
 Max. Temperature: 50° C



BRACKETS

CABLES


RETROREFLECTORS

ENCLOSURES/
LENS SHIELDS

MISCELLANEOUS

Retroreflective Tape

NOTE: Sensing range and signal strength at any given sensor-to-target distance will vary due to target reflectivity and target area. A "Reflectivity Factor" is included for each target model to help predict sensor performance, relative to the excess gain curve plotted for target model BRT-3. Consider, also, target area when predicting performance. Changing to a high reflectivity reflector (like BRT-92X92C) may also extend sensor range and/or reduce the need for frequent reflector maintenance. A high reflectivity factor AND large surface area are needed for maximum range.

Model	Reflectivity Factor	Maximum Temperature	Size	Unit	
BRT-THG-3X3-10	0.7	60° C	75 x 75 mm	10 per pack	
BRT-THG-4X4-5	0.7	60° C	100 x 100 mm	5 per pack	
BRT-THG-8.5X11-2	0.7	60° C	216 x 280 mm	2 per pack	
BRT-THG-18X36	0.7	60° C	457 x 914 mm	Single sheet	
BRT-THG-1-100	0.7	60° C	25 mm wide	2.5 m length	
BRT-THG-2-100	0.7	60° C	50 mm wide	2.5 m length	
BRT-THG-3-100	0.7	60° C	75 mm wide	2.5 m length	
BRT-THT-100†	0.07	175° C	25 mm wide	2.5 m length	
BRT-TVHG-2X2*	0.8	60° C	50 x 50 mm	4 per pack	
BRT-TVHG-8X10P	0.8	60° C	203 x 254 mm	1 per pack	

NOTE: Retroreflective material has a pressure-sensitive adhesive. For maximum adhesion, surfaces must be clean and dry before applying. For best results, use full size; target may be trimmed as necessary.

† These targets are not recommended for polarized retroreflective sensors.

* These are sealed micro-prism style pieces and may not be cut.

Suitable for use with Laser sensors, VS3 sensors and SME312LPC model sensors.

Not suggested for close range (less than 102 mm) except with VS3 sensors.