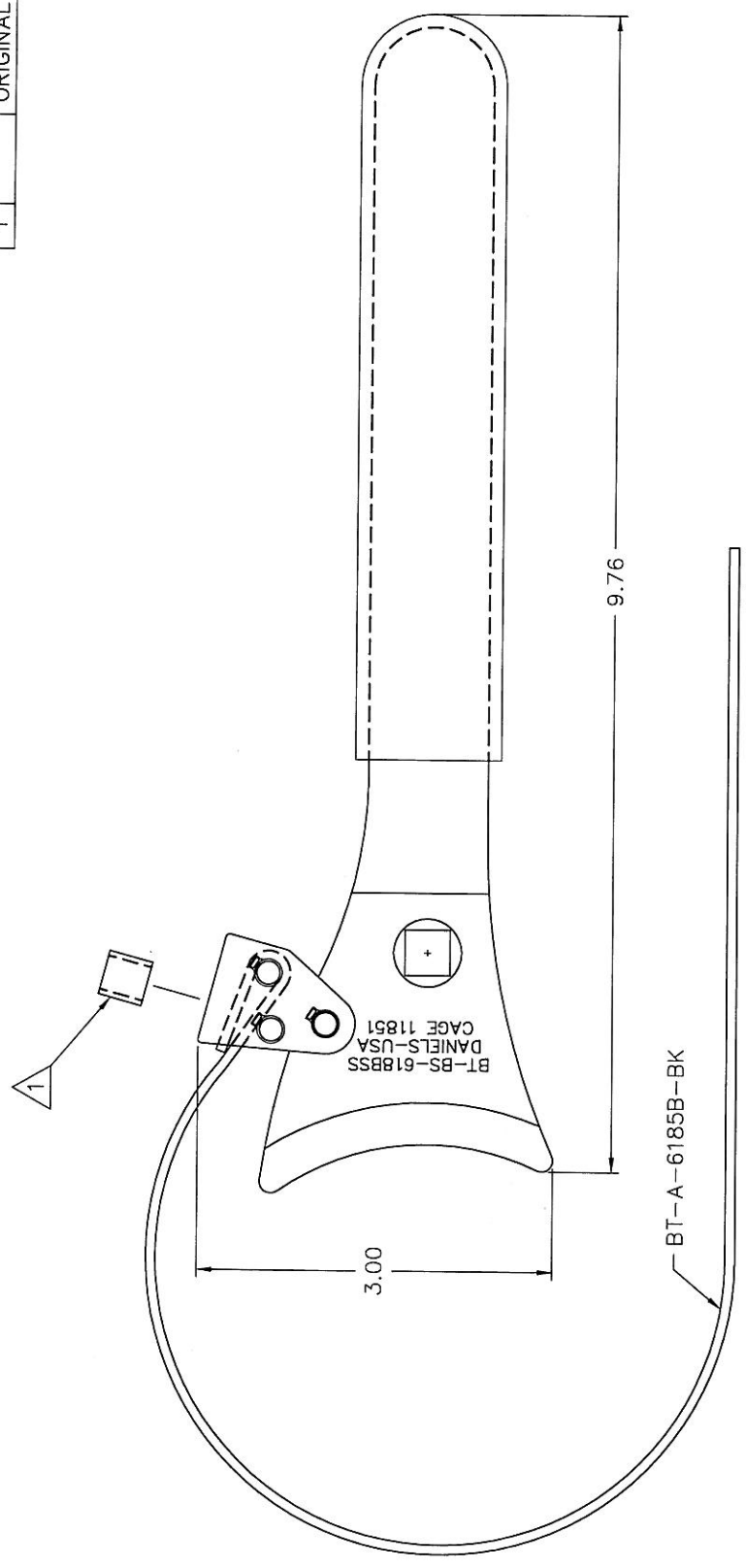


REVISIONS			
REV. SYM.	E.C.O. NUMBER	DESCRIPTION	BY DATE
1		ORIGINAL RELEASE	RRR 9/18/03
			APP'D 9/19/03



**UNCONTROLLED DOCUMENT  
WILL NOT BE UPDATED  
DIMENSIONS IN INCHES - UNLESS OTHERWISE SPECIFIED**

1. TIGHTEN SET SCREW BY HAND BUT DO NOT OVERTIGHTEN.

NOTES:

RESTRICTED & CONFIDENTIAL		MATERIAL		ITEM		PART NO.		QTY.		DESCRIPTION/REMARKS	
CONFIDENTIAL PROPERTY OF DANIELS MANUFACTURING CORP. NOT TO BE DISCLOSED TO OTHERS. REPRODUCED OR TRANSMITTED IN ANY FORM OR BY ANY MEANS, ELECTRONIC OR MECHANICAL, WITHOUT PERMISSION IN WRITING BY DANIELS MANUFACTURING. MUST BE RETURNED TO DANIELS MANUFACTURING CORP. ON COMPLETION OF ORDER OR OTHER PURPOSE FOR WHICH LENT.		HEAT TREAT		DRN.	J. JOYCE	DATE	9/18/03	 DANIELS MANUFACTURING CORP. ORLANDO, FLORIDA CAGE 11851		STRAP WRENCH ASSEMBLY ENVELOPE DRAWING	
		FINISH		CHK'D.	RRR	DATE	9/18/03				
		DO NOT SCALE DRAWING		APP'D.		DATE					
				NOTE:		WHERE USED:		SHEET		OF	
				THIS DRAWING IS AN OUTLINE DRAWING. DIMENSIONS INDICATED. ACTUAL DMC PART NUMBER IS DRAWING NUMBER WITHOUT THE "-ENV" SUFFIX.		SIZE		SCALE		POSTING	
						BT-BS-618BSS-ENV		1		1	
						BT-BS-618BSS-ENV		1		1	