

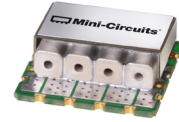
Surface Mount Bandpass Filter

CBP-1090C+

50Ω 1060 to 1120 MHz

The Big Deal

- Excellent Rejection
- Low passband Insertion Loss
- Miniature shielded package



CASE STYLE: MP1766

Product Overview

CBP-1090C+ is a ceramic-coaxial-resonator based bandpass filter in a shielded package fabricated using SMT technology. This filter offers outstanding close in rejection, low insertion loss and high power handling for use in aviation, mobile radio, broadband and fixed wireless.

Key Features

| Feature | Advantages |
|---------------------|---|
| High Selectivity | The CBP-1090C+ filter incorporates High-Q ceramic resonators that enables sharp rejection near passband. |
| Low Passband VSWR | This filter maintains typical VSWR over a narrow passband frequency range making this filter easier to integrate into receiver and transmitter RF chains with less concerns for in band frequency ripple. |
| Rugged construction | The CBP-1090C+ has been qualified over wide range of thermal, mechanical and environmental conditions including withstanding the stress of extensive solder reflow cycles. |

Notes

- A. Performance and quality attributes and conditions not expressly stated in this specification document are intended to be excluded and do not form a part of this specification document.
B. Electrical specifications and performance data contained in this specification document are based on Mini-Circuit's applicable established test performance criteria and measurement instructions.
C. The parts covered by this specification document are subject to Mini-Circuits standard limited warranty and terms and conditions (collectively, "Standard Terms"); Purchasers of this part are entitled to the rights and benefits contained therein. For a full statement of the Standard Terms and the exclusive rights and remedies thereunder, please visit Mini-Circuits' website at www.minicircuits.com/MCLStore/terms.jsp



Surface Mount Bandpass Filter

CBP-1090C+

50Ω 1060 to 1120 MHz



CASE STYLE: MP1766

Features

- Low Insertion loss
- High selectivity
- Miniature shielded package

Applications

- Traffic collision avoidance system (TCAS)
- Aeronautical radio navigation
- Fixed satellite
- Radio astronomy
- Radar and navigation system

Electrical Specifications at 25°C

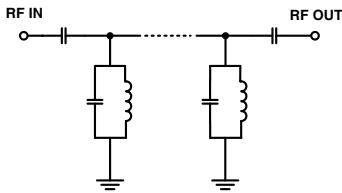
| Parameter | F# | Frequency (MHz) | Min. | Typ. | Max. | Unit | |
|------------------|------------------|-----------------|-----------|------|------|------|----|
| Pass Band | Center Frequency | — | — | 1090 | — | MHz | |
| | Insertion Loss | F1-F2 | 1060-1120 | — | 1.0 | 2 | dB |
| | VSWR | F1-F2 | 1060-1120 | — | 1.2 | — | :1 |
| Stop Band, Lower | Insertion Loss | DC-F3 | DC-955 | 20 | 30 | — | dB |
| | VSWR | DC-F3 | DC-955 | — | 20 | — | :1 |
| Stop Band, Upper | Insertion Loss | F4-F5 | 1255-2200 | 20 | 30 | — | dB |
| | VSWR | F4-F5 | 1255-2200 | — | 20 | — | :1 |

Maximum Ratings

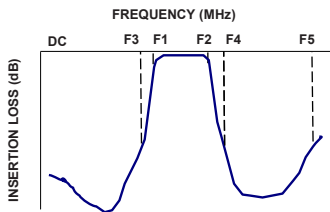
| | |
|-----------------------|----------------|
| Operating Temperature | -40°C to 85°C |
| Storage Temperature | -55°C to 100°C |
| RF Power Input | 5W |

Permanent damage may occur if any of these limits are exceeded.

Functional Schematic



Typical Frequency Response

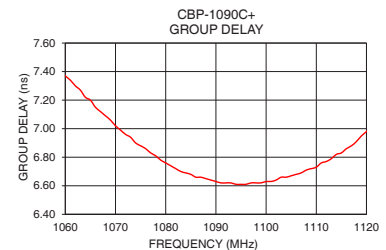
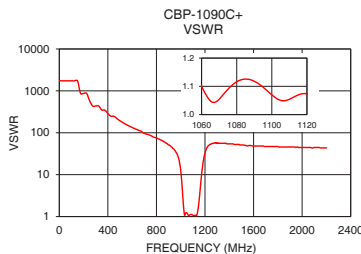
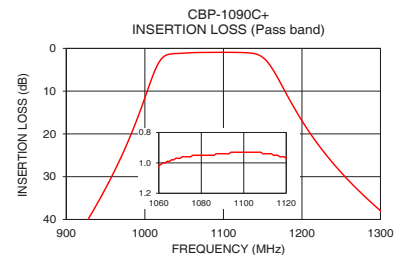
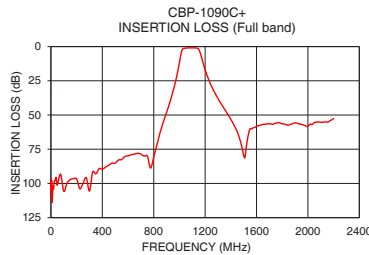


Typical Performance Data at 25°C

| Frequency (MHz) | Insertion Loss (dB) | VSWR (:1) | Frequency (MHz) | Group Delay (nsec) |
|-----------------|---------------------|-----------|-----------------|--------------------|
| 1 | 103.40 | 1737.18 | 1060 | 7.37 |
| 885 | 52.26 | 56.04 | 1064 | 7.22 |
| 955 | 30.97 | 36.97 | 1069 | 7.06 |
| 995 | 14.13 | 16.26 | 1072 | 6.96 |
| 1010 | 6.46 | 5.93 | 1076 | 6.86 |
| 1020 | 2.70 | 2.28 | 1078 | 6.81 |
| 1032 | 1.33 | 1.07 | 1080 | 6.76 |
| 1060 | 1.02 | 1.10 | 1082 | 6.72 |
| 1080 | 0.95 | 1.12 | 1086 | 6.66 |
| 1090 | 0.94 | 1.12 | 1088 | 6.65 |
| 1105 | 0.93 | 1.05 | 1090 | 6.63 |
| 1120 | 0.97 | 1.07 | 1092 | 6.62 |
| 1150 | 2.10 | 2.21 | 1095 | 6.61 |
| 1163 | 4.97 | 5.47 | 1097 | 6.62 |
| 1180 | 10.58 | 15.96 | 1100 | 6.63 |
| 1215 | 21.07 | 43.44 | 1103 | 6.66 |
| 1255 | 30.04 | 54.29 | 1106 | 6.68 |
| 1440 | 60.22 | 52.65 | 1110 | 6.73 |
| 1800 | 56.51 | 46.96 | 1115 | 6.83 |
| 2200 | 52.62 | 43.44 | 1120 | 6.98 |

+RoHS Compliant

The +Suffix identifies RoHS Compliance. See our web site for RoHS Compliance methodologies and qualifications



Notes

- Performance and quality attributes and conditions not expressly stated in this specification document are intended to be excluded and do not form a part of this specification document.
- Electrical specifications and performance data contained in this specification document are based on Mini-Circuit's applicable established test performance criteria and measurement instructions.
- The parts covered by this specification document are subject to Mini-Circuits standard limited warranty and terms and conditions (collectively, "Standard Terms"); Purchasers of this part are entitled to the rights and benefits contained therein. For a full statement of the Standard Terms and the exclusive rights and remedies thereunder, please visit Mini-Circuits' website at www.minicircuits.com/MCLStore/terms.jsp



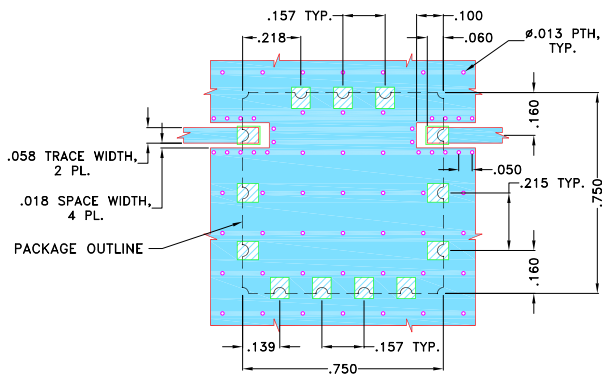
www.minicircuits.com P.O. Box 350166, Brooklyn, NY 11235-0003 (718) 934-4500 sales@minicircuits.com

REV.A
M151121
CBP-1090C+
EDU1780
URJ
150515
Page 2 of 3

Pad Connections

| | |
|--------|--------------------------|
| INPUT | 1 |
| OUTPUT | 10 |
| GROUND | 2,3,4,5,6,7,8,9,11,12,13 |

Demo Board MCL P/N: TB-684+
Suggested PCB Layout (PL-373)

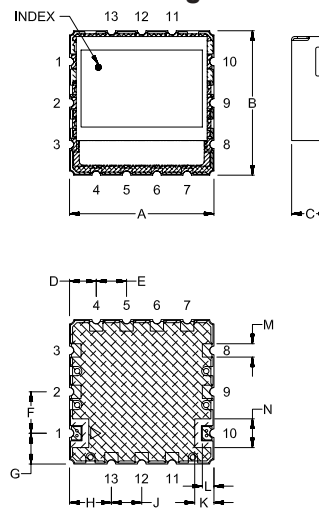


NOTES:

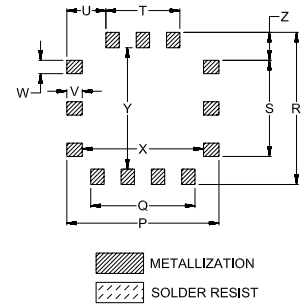
- TRACE WIDTH IS SHOWN FOR OAK (OAK-602) WITH DIELECTRIC THICKNESS .022"±.0015". COPPER: 1/2 OZ. EACH SIDE.
 FOR OTHER MATERIALS TRACE WIDTH MAY NEED TO BE MODIFIED.
- BOTTOM SIDE OF THE PCB IS CONTINUOUS GROUND PLANE.

- DENOTES PCB COPPER LAYOUT WITH SMOBC (SOLDER MASK OVER BARE COPPER)
- DENOTES COPPER LAND PATTERN FREE OF SOLDERMASK

Outline Drawing



PCB Land Pattern



Outline Dimensions (inch/mm)

| A | B | C | D | E | F | G | H | J | K | L | M | N |
|-------|-------|-------|-------|------|------|------|------|-------|-------|------|-------|------|
| .750 | .750 | .210 | .139 | .157 | .215 | .160 | .218 | .157 | .100 | .060 | .069 | .149 |
| 19.05 | 19.05 | 5.33 | 3.53 | 3.99 | 5.46 | 4.06 | 5.54 | 3.99 | 2.54 | 1.52 | 1.75 | 3.78 |
| P | Q | R | S | T | U | V | W | X | Y | Z | wt. | |
| .790 | .541 | .790 | .499 | .384 | .203 | .080 | .069 | .630 | .630 | .145 | grams | |
| 20.07 | 13.74 | 20.07 | 12.67 | 9.75 | 5.16 | 2.03 | 1.75 | 16.00 | 16.00 | 3.68 | 4.6 | |

Notes

- A. Performance and quality attributes and conditions not expressly stated in this specification document are intended to be excluded and do not form a part of this specification document.
 B. Electrical specifications and performance data contained in this specification document are based on Mini-Circuit's applicable established test performance criteria and measurement instructions.
 C. The parts covered by this specification document are subject to Mini-Circuits standard limited warranty and terms and conditions (collectively, "Standard Terms"); Purchasers of this part are entitled to the rights and benefits contained therein. For a full statement of the Standard Terms and the exclusive rights and remedies thereunder, please visit Mini-Circuits' website at www.minicircuits.com/MCLStore/terms.jsp