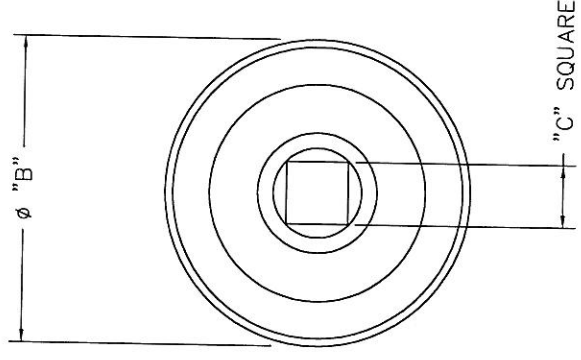
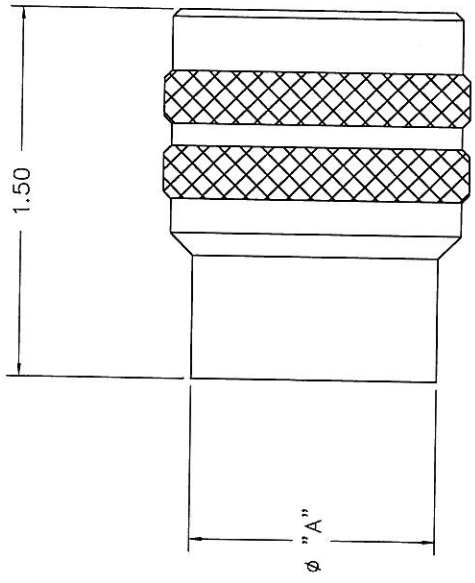


REVISIONS

| REV. SYM. | E.C.O. NUMBER | DESCRIPTION | BY DATE | APP'D DATE |
|-----------|---------------|------------------|------------|------------|
| 1 | | ORIGINAL RELEASE | TD 2-17-10 | |



| PART NO. | DIM. "A" | DIM. "B" | DIM. "C" | KEYING POSITIONS |
|----------|----------|----------|----------|------------------|
| CM229-40 | 2.570 | 2.630 | 3/8 | ALL |
| CM229-36 | 2.320 | 2.380 | 3/8 | ALL |
| CM229-24 | 1.630 | 1.690 | 3/8 | ALL |
| CM229-22 | 1.380 | 1.440 | 3/8 | ALL |
| CM229-20 | 1.257 | 1.317 | 3/8 | ALL |
| CM229-18 | 1.130 | 1.190 | 1/4 | ALL |
| CM229-16 | 1.005 | 1.065 | 1/4 | ALL |
| CM229-14 | .881 | 1.000 | 1/4 | ALL |
| CM229-12 | .758 | .818 | 1/4 | ALL |

**UNCONTROLLED DOCUMENT
WILL NOT BE UPDATED
DIMENSIONS IN INCHES - UNLESS OTHERWISE SPECIFIED**

| | | | | | |
|--|------------|--|--|--------------------------|---|
| RESTRICTED & CONFIDENTIAL CONFIDENTIAL PROPERTY OF DANIELS MANUFACTURING CORP. NOT TO BE REPRODUCED OR COPIED IN ANY MANNER WITHOUT THE EXPRESS WRITTEN AUTHORIZATION OF DANIELS MANUFACTURING CORP. ON COMPLETION OF ORDER WHICH LENT. | MATERIAL | ITEM | PART NO. | QTY. | DESCRIPTION/REMARKS |
| | HEAT TREAT | DRG. 3-10-06 CHK'D. 2-17-10 | DATE 2-17-10 | | DMC DANIELS MANUFACTURING CORP. ORLANDO, FLORIDA CAGE 11851 |
| DO NOT SCALE DRAWING | FINISH | APP'D. | DATE | | TITLE ADAPTOR TOOL MIL-C-22992 ENVELOPE DRAWING |
| | | NOTE: THIS DRAWING IS AN OUTLINE DRAWING. THE DIMENSIONS INDICATED, ACTUAL DIM PART NUMBER IS DRAWING NUMBER WITHOUT THE "-ENV" SUFFIX. | WHERE USED: SIZE B SCALE 2X POSTING | CAD P/N CM-S-229-ENV | SHEET 1 OF 1 |
| | | | | DWR. NO. CM-S-229-ENV | REV. 1 |