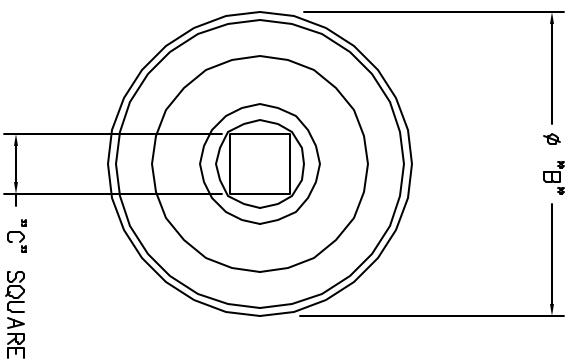
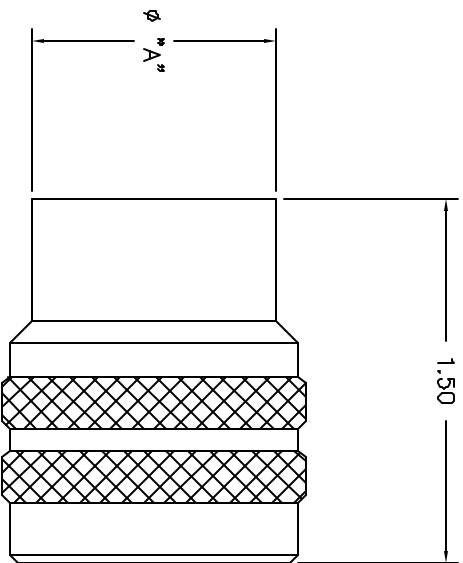


REVISIONS			
REV. NUMBER	ECO#	DESCRIPTION	BY DATE DATE
1		ORIGINAL RELEASE	5/2/00 5/2/00

**UNCONTROLLED DOCUMENT
WILL NOT BE UPDATED**



PART NO.	DIM. "A"	DIM. "B"	DIM. "C"	KEENING POSITIONS
CM264R-24	1.690	1.750	3/8	ALL
CM264R-22	1.565	1.625	3/8	ALL
CM264R-20	1.440	1.500	3/8	ALL
CM264R-18	1.315	1.375	3/8	ALL
CM264R-16	1.190	1.250	1/4	ALL
CM264R-14	1.065	1.125	1/4	ALL
CM264R-12	.940	1.000	1/4	ALL
CM264R-10	.812	.875	1/4	ALL
CM264R-8	.752	.812	1/4	ALL

<p style="text-align: center;">RESTRICTED & CONFIDENTIAL</p> <p style="text-align: center;"><small>CONFIDENTIAL PROPERTY OF DANIELS MANUFACTURING CORP. NOT TO BE REPRODUCED OR TRANSMITTED IN ANY FORM OR BY ANY MEANS, ELECTRONIC OR MECHANICAL, INCLUDING PHOTOCOPYING, RECORDING, OR BY ANY INFORMATION STORAGE AND RETRIEVAL SYSTEM, WITHOUT THE WRITTEN PERMISSION OF DANIELS MANUFACTURING. MUST BE RETURNED TO DANIELS MANUFACTURING FOR PROPER DISPOSAL OR OTHER PURPOSE PER WHICH INTENT.</small></p>		MATERIAL		ITEM		PART NO.		QTY.		DESCRIPTION/REMARKS	
		HEAT TREAT		DATE DATE		DATE DATE		DATE DATE		DATE DATE	
FINISH		APPRO		APPRO		APPRO		APPRO		APPRO	
WHERE USED:		MIL - C-38999 & MIL - C-264B2 ENVELOPE DRAWING		MIL - C-38999 & MIL - C-264B2 ENVELOPE DRAWING		MIL - C-38999 & MIL - C-264B2 ENVELOPE DRAWING		MIL - C-38999 & MIL - C-264B2 ENVELOPE DRAWING		MIL - C-38999 & MIL - C-264B2 ENVELOPE DRAWING	
SIZE		SCALE		CVD PAN		SHEET		OF		REV	
B		2X		CM-S-264R-ENV		1		1		1	
PASSING		P/A		CM-S-264R-ENV		1		1		1	