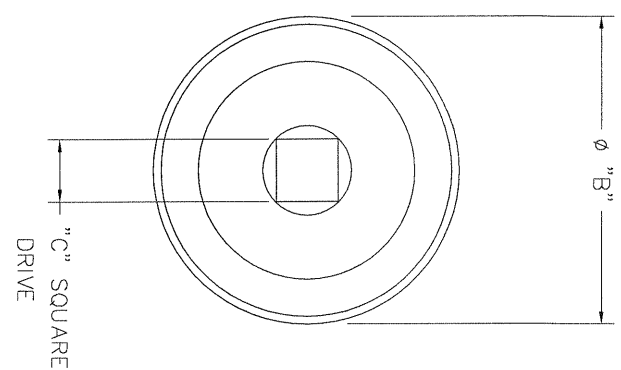
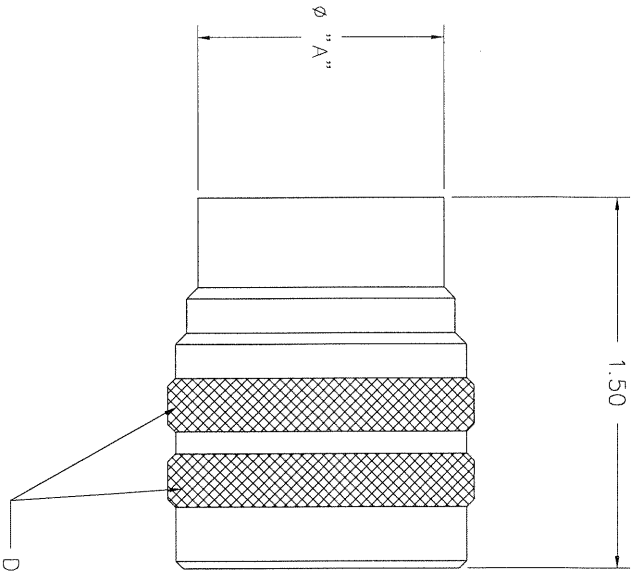


REVISIONS			
REV. NUMBER	E.C.O. NUMBER	DESCRIPTION	BY DATE TO DATE
1		ORIGINAL RELEASE	4-29-08



PART NO.	DIM. "A"	DIM. "B"	DIM. "C"	KEYING POSITIONS
CM389T-25BS	1.559	1.750	3/8	C,D,E
CM389T-25AS				N,A,B
CM389T-23BS	1.434	1.625	3/8	C,D,E
CM389T-23AS				N,A,B
CM389T-21BS	1.309	1.500	3/8	C,D,E
CM389T-21AS				N,A,B
CM389T-19BS	1.184	1.375	3/8	C,D,E
CM389T-19AS				N,A,B
CM389T-17BS	1.082	1.250	.25	C,D,E
CM389T-17AS				N,A,B
CM389T-15BS	.948	1.125	.25	A,B,C
CM389T-15AS				N,D,E
CM389T-13BS	.823	1.000	.25	A,B,C
CM389T-13AS				N,D,E
CM389T-11BS	.689	.875	.25	A,B,C
CM389T-11AS				N,D,E
CM389T-9BS	.573	.812	.25	A,B,E
CM389T-9AS				N,C,D

**UNCONTROLLED DOCUMENT
WILL NOT BE UPDATED**

RESTRICTED & CONFIDENTIAL		MATERIAL		ITEM		PART NO.		QTY.		DESCRIPTION/REMARKS	
CONFIDENTIAL PROPERTY OF DANIELS MANUFACTURING CORP. NOT TO BE DISCLOSED OR COPIED FOR ANY PURPOSE EXCEPT AS AUTHORIZED IN WRITING BY DANIELS MANUFACTURING. MUST BE RETURNED TO DANIELS MANUFACTURING CORP. ON COMPLETION OF ORDER WHICH LENT.		HEAT TREAT		DATE		DATE		DATE		DATE	
		FINISH		DATE		DATE		DATE		DATE	
DO NOT SCALE DRAWING				THIS DRAWING IS AN OUTLINE DRAWING OF THE RESPECTIVE INDICATED ACTUAL DIMC PART NUMBER WITHIN THE "ENV" SUFFIX.		WHERE USED: SIZE SCALE B 2X POSITIONING		CAD P/N CM-S-389T-SS-ENV DWG. NO. CM-S-389T-SS-ENV		SHEET OF 1 1 REV.	

1. FOR MIL-C-38999 SERIES 3 PLUGS.
NOTES:

DANIELS MANUFACTURING CORP.
ORLANDO, FLORIDA
CAGE 11851

**ADAPTOR TOOL SET (STEEL)
ENVELOPE DRAWING**