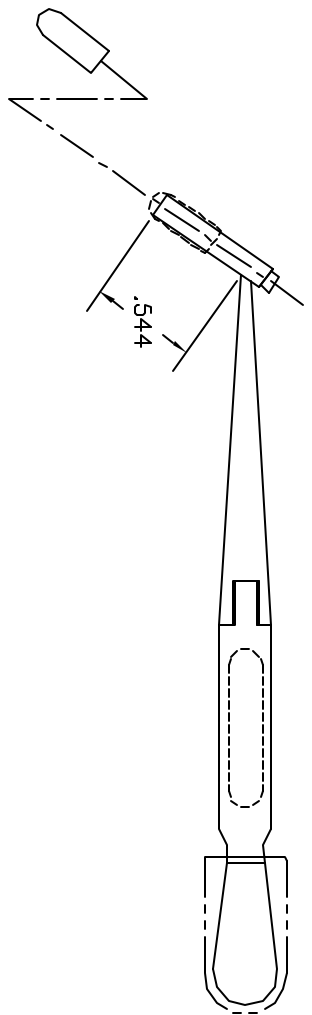
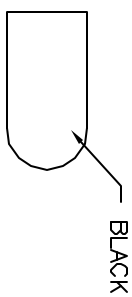
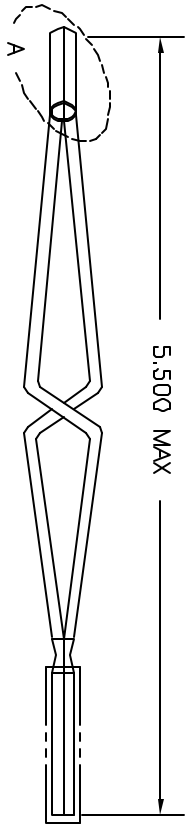
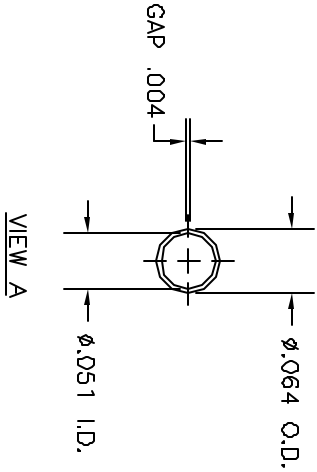


REVISIONS			
REV. NO.	DATE	BY	APPROV.
1	2/14/98	MC	LE
DESCRIPTION		DATE	DATE
ORIGINAL RELEASE		2/14/98	2/98



**UNCONTROLLED DOCUMENT  
WILL NOT BE UPDATED**

RESTRICTED & CONFIDENTIAL		MATERIAL		ITEM		PART NO.		QTY.		DESCRIPTION/REMARKS	
COMMERCIAL PROPERTY OF DANIEL'S MANUFACTURING CORP. NOT TO BE DISCLOSED TO OTHERS, REPRODUCED OR USED FOR ANY OTHER PURPOSE, EXCEPT AS AUTHORIZED IN WRITING BY DANIEL'S MANUFACTURING. MUST BE RETURNED TO DANIEL'S MANUFACTURING CORP. IMMEDIATELY UPON ORDER PURPOSE FOR WHICH INTENT.		HEAT TREAT		TRN.	MC	DATE	2/14/98			<b>DMC</b> DANIEL'S MANUFACTURING CORP. ORLANDO, FLORIDA CASE 71857	
		FINISH		CHD.	DE	DATE	2/98				
				APPD.		DATE					
				APPD.		DATE					
DO NOT SCALE DRAWING				TITLE		WHERE USED		SCALE		SHEET OF	
				ENVELOPE DRAWING INSTALLING TOOL #22M		(M81959/8-01 REV. A)		B NTS		1 1	
				DAK95-22MA-ENV		P/N		DAK95-22MA-ENV		REV. 1	