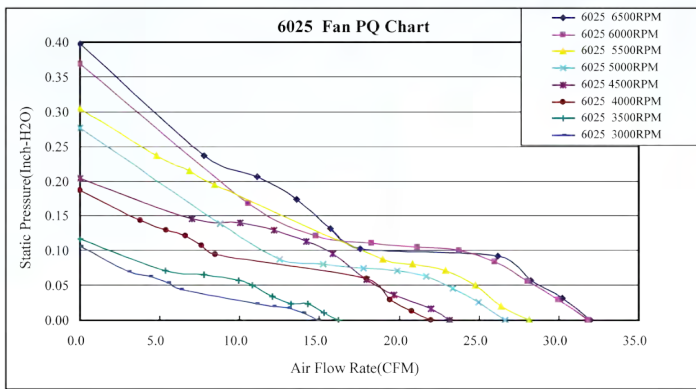


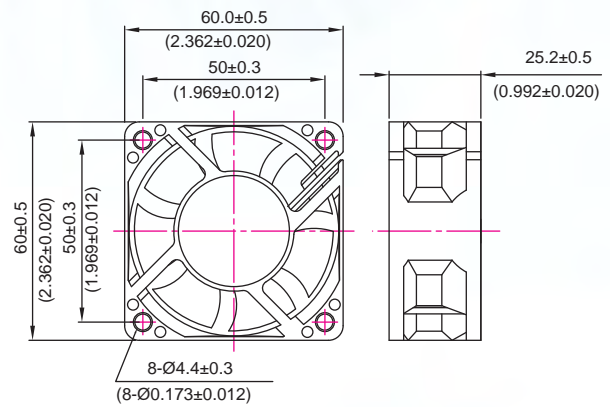
6025 series 60x60x25 mm



P&Q Curve



Dimensions Drawing



UNIT:MM/(INCH)

Specifications

| Model | Rated Voltage (VDC) | Rated Current (AMP) | Power Consumption (WATTS) | Speed Reference (RPM) | Air Flow (CFM) | Static Pressure (Inch-H ₂ O) | Noise (dBA) |
|-------------|---------------------|---------------------|---------------------------|-----------------------|----------------|---|-------------|
| EC6025TH12X | 12 | 0.44 | 5.28 | 6500 | 31.97 | 0.4 | <41 |
| EC6025HH12X | 12 | 0.38 | 4.56 | 6000 | 31.81 | 0.37 | <39 |
| EC6025MH12X | 12 | 0.32 | 3.84 | 5500 | 28.16 | 0.31 | <38.1 |
| EC6025H12X | 12 | 0.24 | 2.88 | 5000 | 26.63 | 0.28 | <36 |
| EC6025M12X | 12 | 0.2 | 2.4 | 4500 | 23.17 | 0.21 | <32 |
| EC6025L12X | 12 | 0.16 | 1.92 | 4000 | 22.01 | 0.19 | <28 |
| EC6025LL12X | 12 | 0.12 | 1.44 | 3500 | 16.19 | 0.12 | <24 |
| EC6025SL12X | 12 | 0.08 | 0.96 | 3000 | 14.88 | 0.11 | <20.7 |
| EC6025TH24X | 24 | 0.24 | 5.76 | 6500 | 31.97 | 0.4 | <41 |
| EC6025HH24X | 24 | 0.2 | 4.8 | 6000 | 31.81 | 0.37 | <39 |
| EC6025MH24X | 24 | 0.16 | 3.84 | 5500 | 28.16 | 0.31 | <38.1 |
| EC6025H24X | 24 | 0.14 | 3.36 | 5000 | 26.63 | 0.28 | <36 |
| EC6025M24X | 24 | 0.12 | 2.88 | 4500 | 23.17 | 0.21 | <32 |
| EC6025L24X | 24 | 0.1 | 2.4 | 4000 | 22.01 | 0.19 | <28 |
| EC6025LL24X | 24 | 0.08 | 1.92 | 3500 | 16.19 | 0.12 | <24 |

- ▶ Material: impeller & Frame: Plastic (UL 94V-0)
- ▶ Lead Wires: UL 1007 AWG #26 Or Equivalent
Red Wire Positive(+), Black Wire Negative(-), Yellow Wire Or Blue Wire Signal(FG)
- ▶ Function type is optional.

- ▶ The max air flow and the speed are measured in free air; max air pressure is measured at zero air flow.
- ▶ Noise is measured in anechoic chamber in free air, one meter from intake side.
- ▶ All readings are typical values at rated voltage.
- ▶ Specifications are subject to change without notice.
- ▶ Additional special function may be added according the requirement of customer.