

Product data sheet

Miniature connectors

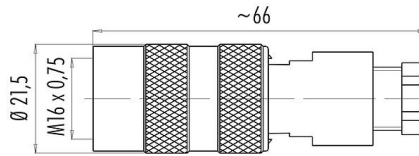


Product description	M16 IP67 Female cable connector, Contacts: 8 (08-a), 4.0-6.0 mm, unshielded, solder, IP67
Area	M16 IP67 series 723
Part no.	09 0172 25 08

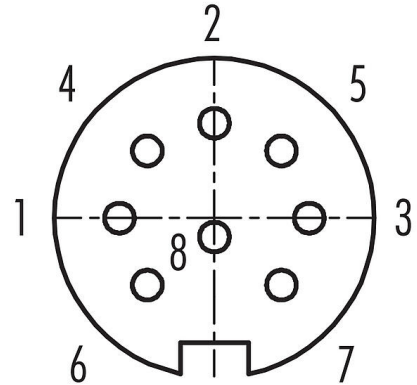
Illustration



Scale drawing



Contact arrangement (Plug-in side)



You can find the assembly instructions on the next page.

Technical data

General features

Part no.	09 0172 25 08
Connector design	Female cable connector
Version	Connector socket straight
Connector locking system	screw
Termination	solder
Degree of protection	IP67
Cross-sectional area	0.75 mm ² / AWG 18
Cable outlet	4.0-6.0 mm
Temperature range from/to	-40 °C / 95 °C
Mechanical operation	> 500 Mating cycles
Weight (g)	40.81
Customs tariff number	85369010

Electrical parameters

Rated voltage	60 V
Rated impulse voltage	500 V
Rated current (40 °C)	5.0 A
Insulation resistance	$\geq 10^{10} \Omega$
Pollution degree	1
Overvoltage category	I
Insulating material group	III
EMC compliance	unshielded

Material

Housing material	PA
Contact body material	PBT (UL94 V-0)

Product data sheet

Miniature connectors



Product description	M16 IP67 Female cable connector, Contacts: 8 (08-a), 4.0-6.0 mm, unshielded, solder, IP67
Area	M16 IP67 series 723
Part no.	09 0172 25 08

Contact material	CuSn (bronze)
Contact plating	Ag (silver)
REACH SVHC	CAS 96-45-7 (Imidazolidine-2-thione) CAS 7439-92-1 (Lead)
SCIP number	b04d089b-d257-4346-8f4d-3963f85cfdca

Classifications

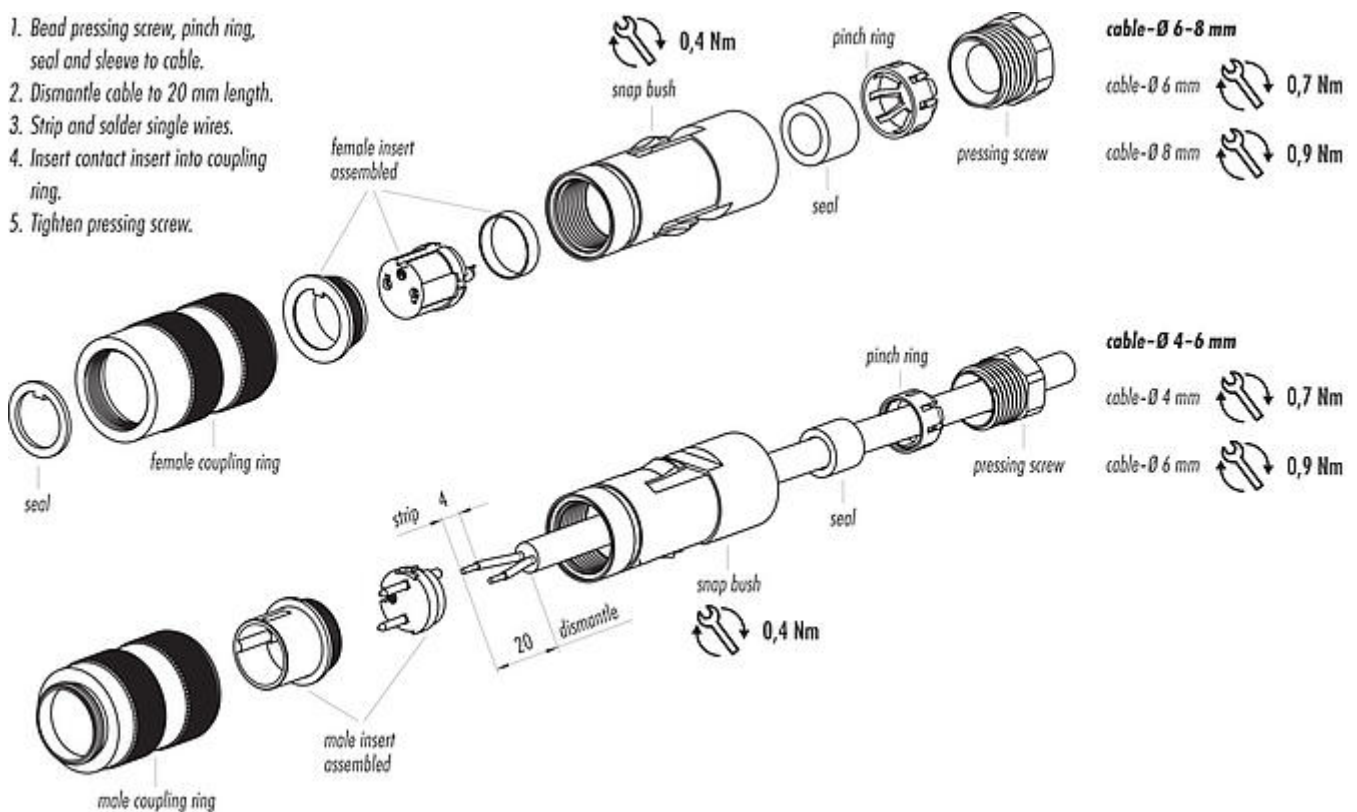
eCl@ss 11.1	27-44-01-09
ETIM 7.0	EC003569

Declarations of conformity

Low Voltage Directive	2014/35/EU (EN 60204-1:2018;EN 60529:1991)
-----------------------	--

Assembly instructions

1. Bead pressing screw, pinch ring, seal and sleeve to cable.
2. Dismantle cable to 20 mm length.
3. Strip and solder single wires.
4. Insert contact insert into coupling ring.
5. Tighten pressing screw.



Product data sheet

Miniature connectors



Product description	M16 IP67 Female cable connector, Contacts: 8 (08-a), 4.0-6.0 mm, unshielded, solder, IP67
-	-
Area	M16 IP67 series 723
Part no.	09 0172 25 08

General Disclaim Notice

The connectors have been developed for applications in plant engineering, control and electrical equipment construction. The user is responsible for checking whether the connectors can also be used in other areas of application.

Plug connectors with enclosure protection IP67 and IP68 are not suitable for use under water. When used outdoors, the plug connectors must be protected separately against corrosion. For further information on the IP protection classes, please refer to the "Technical Information" download centre.

To lock the cable connector with the device connector, the threaded ring is tightened "hand-tight" (approx. 50 cNm).