

# Product data sheet

## Miniature connectors

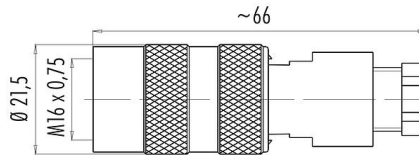


Product description	<b>M16 IP67 Female cable connector, Contacts: 24, 4.0-6.0 mm, unshielded, solder, IP67</b>
Area	<b>M16 IP67 series 723</b>
Part no.	<b>09 0496 25 24</b>

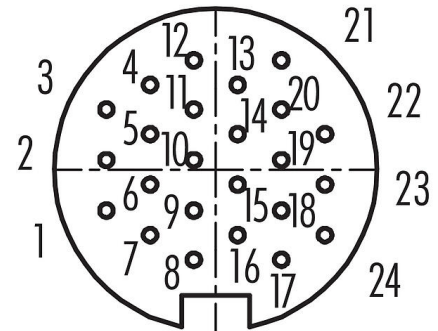
### Illustration



### Scale drawing



### Contact arrangement (Plug-in side)



You can find the assembly instructions on the next page.

### Technical data

#### General features

Part no.	<b>09 0496 25 24</b>
Connector design	Female cable connector
Version	Connector socket straight
Connector locking system	screw
Termination	solder
Degree of protection	IP67
Cross-sectional area	0.14 mm <sup>2</sup> / AWG 26
Cable outlet	4.0-6.0 mm
Temperature range from/to	-40 °C / 95 °C
Mechanical operation	> 500 Mating cycles
Weight (g)	41.35
Customs tariff number	85369010

#### Electrical parameters

Rated voltage	60 V
Rated impulse voltage	500 V
Rated current (40 °C)	1.0 A
Insulation resistance	≥ 10 <sup>10</sup> Ω
Pollution degree	1
Overvoltage category	I
Insulating material group	III
EMC compliance	unshielded

#### Material

Housing material	PA
Contact body material	PBT (UL94 V-0)
Contact material	CuSn (bronze)
Contact plating	Au (gold)

# Product data sheet

## Miniature connectors



Product description	<b>M16 IP67 Female cable connector, Contacts: 24, 4.0-6.0 mm, unshielded, solder, IP67</b>
Area	<b>M16 IP67 series 723</b>
Part no.	<b>09 0496 25 24</b>

REACH SVHC	CAS 96-45-7 (Imidazolidine-2-thione) CAS 7439-92-1 (Lead)
SCIP number	bc397c14-4147-4f31-84fa-9ccf8de528ad

### Classifications

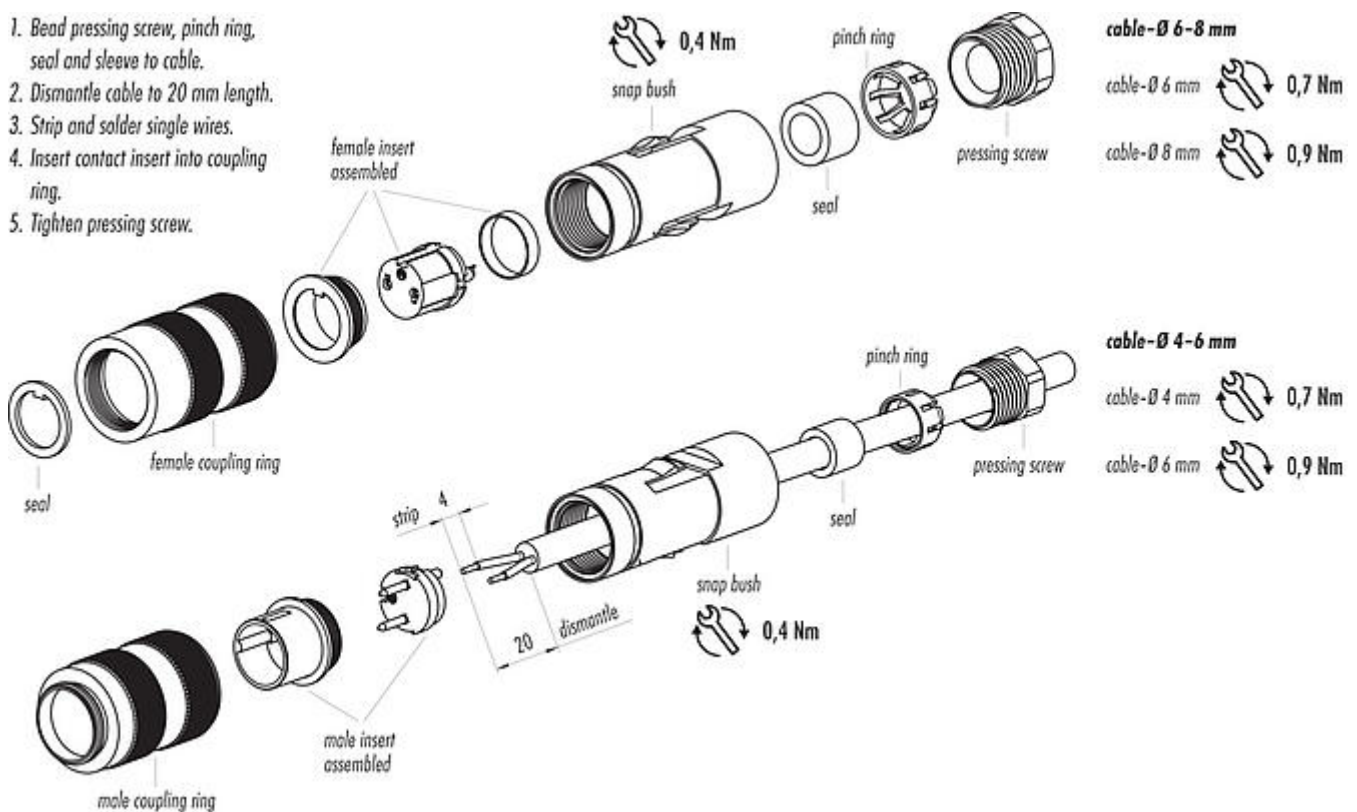
eCl@ss 11.1	27-44-01-09
ETIM 7.0	EC003569

### Declarations of conformity

Low Voltage Directive	2014/35/EU (EN 60204-1:2018;EN 60529:1991)
-----------------------	--

### Assembly instructions

1. Bead pressing screw, pinch ring, seal and sleeve to cable.
2. Dismantle cable to 20 mm length.
3. Strip and solder single wires.
4. Insert contact insert into coupling ring.
5. Tighten pressing screw.



Product description	<b>M16 IP67 Female cable connector, Contacts: 24, 4.0-6.0 mm, unshielded, solder, IP67</b>
-	-
Area	<b>M16 IP67 series 723</b>
Part no.	<b>09 0496 25 24</b>

### **General Disclaim Notice**

The connectors have been developed for applications in plant engineering, control and electrical equipment construction. The user is responsible for checking whether the connectors can also be used in other areas of application.

Plug connectors with enclosure protection IP67 and IP68 are not suitable for use under water. When used outdoors, the plug connectors must be protected separately against corrosion. For further information on the IP protection classes, please refer to the "Technical Information" download centre.

To lock the cable connector with the device connector, the threaded ring is tightened "hand-tight" (approx. 50 cNm).