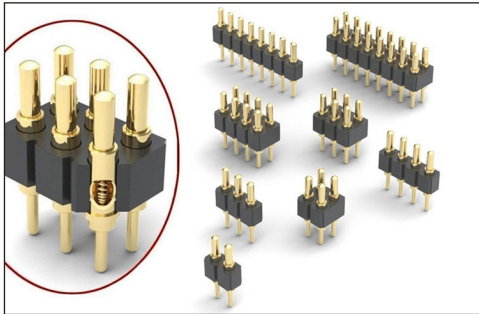


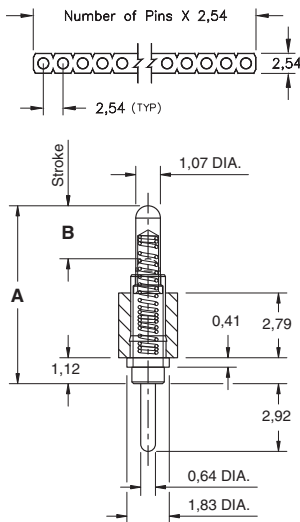
SPRING-LOADED CONNECTORS

SERIES 825 & 827 • 2,54 GRID THROUGH-HOLE MOUNT, LONG STROKE • SINGLE AND DOUBLE ROW STRIPS

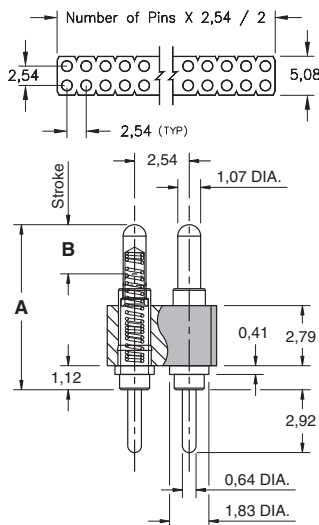


- Modular contacts for use on 2,54 grid, available in four heights from 7,67 to 9,96, supplied in single and double row contact strips
- Precision-machined piston / base and gold-plated components assure up to 1,000,000 cycle life durability
- Pistons have a 1,14 mid. stroke and a 2,29 max. stroke
- Low resistance, high current contacts are rated at 2 amps continuous, 3 amps peak
- High temperature thermoplastic insulators are suitable for surface mount processes
- Both 825 & 827 series contact strips are designed for manual placement into $\varnothing 0,76 \pm 0,08$ plated through-holes in the circuit board prior to hand, wave or reflow soldering

SINGLE ROW Series 825



DOUBLE ROW Series 827



ORDERING INFORMATION

Single Row Series 825

825-22-0XX-10-00X101
 Specify number of contacts 02-64 Specify contact style 1-4

Double Row Series 827

827-22-0XX-10-00X101
 Specify number of contacts 04-72 Specify contact style 1-4

CONTACT STYLE	INITIAL HEIGHT A	MAX. STROKE B
1	7,67	2,29
2	8,43	2,29
3	9,19	2,29
4	9,96	2,29

Technical Specifications

Materials:

Contact piston & base: Machined copper alloy plated 0,51 μ m gold over 2,54 μ m nickel
 Spring: Beryllium copper-plated 0,25 μ m gold
 Insulator: High temperature thermoplastic, rated UL94 V-0

Mechanical:

Spring force @ initial height (A): 25 grams
 Spring force @ mid stroke (B/2): 60 grams
 Durability: Up to 1,000,000 cycles

Electrical:

Voltage rating: 100Vrms/150Vdc
 Current rating: 2A (continuous), 3A (peak) per contact
 Contact resistance: 20m Ω max.
 Insulation resistance: 10,000M Ω min.
 Dielectric strength: 700Vrms min.
 Capacitance: 1pF max.

RoHS - 2
2011/65/EU



Mouser Electronics

Authorized Distributor

Click to View Pricing, Inventory, Delivery & Lifecycle Information:

Mill-Max:

[827-22-004-10-001101](#) [825-22-010-10-001101](#) [827-22-006-10-004101](#) [827-22-020-10-003101](#) [827-22-010-10-001101](#) [825-22-006-10-001101](#) [827-22-008-10-001101](#) [827-22-024-10-001101](#) [827-22-016-10-001101](#) [825-22-012-10-001101](#) [825-22-007-10-001101](#) [827-22-014-10-001101](#) [827-22-060-10-001101](#) [825-22-018-10-001101](#) [825-22-036-10-001101](#) [825-22-035-10-001101](#) [825-22-043-10-001101](#) [825-22-040-10-001101](#) [825-22-056-10-001101](#) [825-22-062-10-001101](#) [825-22-026-10-001101](#) [825-22-020-10-001101](#) [825-22-057-10-001101](#) [825-22-022-10-001101](#) [825-22-024-10-001101](#) [825-22-041-10-001101](#) [825-22-009-10-001101](#) [825-22-015-10-001101](#) [825-22-016-10-001101](#) [825-22-044-10-001101](#) [825-22-048-10-001101](#) [825-22-058-10-001101](#) [825-22-023-10-001101](#) [825-22-060-10-001101](#) [825-22-063-10-001101](#) [825-22-059-10-001101](#) [825-22-039-10-001101](#) [825-22-017-10-001101](#) [825-22-046-10-001101](#) [825-22-053-10-001101](#) [825-22-019-10-001101](#) [825-22-027-10-001101](#) [825-22-034-10-001101](#) [825-22-011-10-001101](#) [825-22-029-10-001101](#) [825-22-051-10-001101](#) [825-22-028-10-001101](#) [825-22-014-10-001101](#) [825-22-033-10-001101](#) [825-22-054-10-001101](#) [825-22-005-10-001101](#) [825-22-050-10-001101](#) [825-22-038-10-001101](#) [825-22-037-10-001101](#) [825-22-061-10-001101](#) [825-22-025-10-001101](#) [825-22-042-10-001101](#) [825-22-013-10-001101](#) [825-22-030-10-001101](#) [825-22-031-10-001101](#) [825-22-045-10-001101](#) [825-22-021-10-001101](#) [825-22-032-10-001101](#) [825-22-047-10-001101](#) [825-22-049-10-001101](#) [825-22-052-10-001101](#) [825-22-055-10-001101](#) [827-22-048-10-001101](#) [827-22-028-10-001101](#) [827-22-056-10-001101](#) [827-22-044-10-001101](#) [827-22-052-10-001101](#) [827-22-042-10-001101](#) [827-22-034-10-001101](#) [827-22-058-10-001101](#) [827-22-038-10-001101](#) [827-22-022-10-001101](#) [827-22-032-10-001101](#) [827-22-018-10-001101](#) [827-22-046-10-001101](#) [827-22-064-10-001101](#) [827-22-012-10-001101](#) [827-22-054-10-001101](#) [827-22-068-10-001101](#) [827-22-062-10-001101](#) [827-22-066-10-001101](#) [827-22-070-10-001101](#) [827-22-050-10-001101](#) [827-22-036-10-001101](#) [827-22-030-10-001101](#)