

Splash Proof Fan

φ172mm

San Ace 172W

51mm thick(Sidecut type WG type),
51mm thick(Sidecut type WE type)
51mm thick(Round type WE type)



General Specifications

- Material Frame: Aluminum, Impeller: Plastics (Flammability: UL94V-1)
- Expected Life Refer to specifications (Indoor, L10: Survival rate: 90% at 60°C, rated voltage, and continuously run in a free air state)
- Lead Wire ⊕red ⊖black (Sensor) yellow (Control) brown
- Storage Temperature -30°C to +70°C (Non-condensing)

φ172mm × 150mm × 51mm (Mass : 860g) **SideCut type IP55** Dust resistant device with protection against water jets **WGtype**

Specifications The following nos. have PWM controls and pulse sensors.

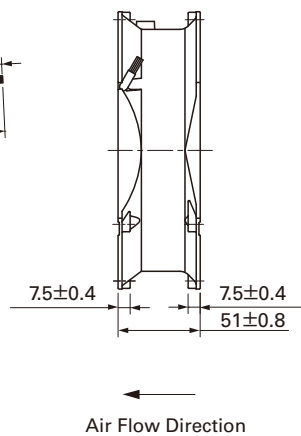
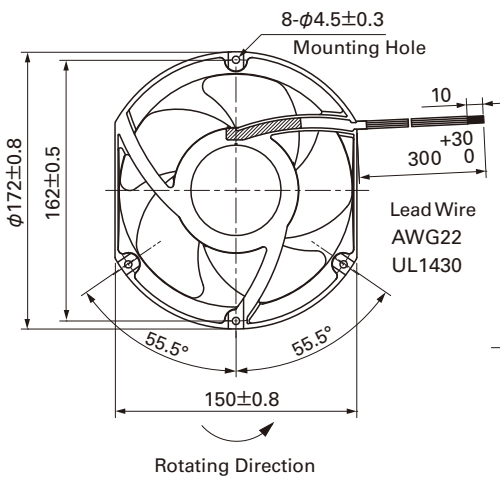
| Model No. | Rated Voltage [V] | Operating Voltage Range [V] | PWM duty cycle* [%] | Rated Current [A] | Rated Input [W] | Rated Speed [min ⁻¹] | Max. Air Flow [m ³ /min] [CFM] | Max. Static Pressure [Pa] [inchH ₂ O] | SPL [dB(A)] | Operating Temperature [°C] | Expected Life ^{nom} [h] |
|---------------|-------------------|-----------------------------|---------------------|-------------------|-----------------|----------------------------------|---|--|-------------|----------------------------|----------------------------------|
| 9WG5748P5G001 | 48 | 40.8 to 55.2 | 100 | 2.91 | 140.0 | 8,600 | 15.46 546 | 1000 4.02 | 78 | -10 to +70 | 40,000/60°C (70,000/40°C) |
| | | | 0 | 0.21 | 10.1 | 2,000 | 3.59 127 | 75.1 0.30 | 40 | | |
| 9WG5748P5H001 | | | 100 | 1.62 | 78.0 | 6,500 | 11.60 410 | 770 3.09 | 71 | | |
| | | | 0 | 0.21 | 10.1 | 2,000 | 3.59 127 | 75.1 0.30 | 40 | | |

Note: Expected life at 40°C ambient is just reference value.

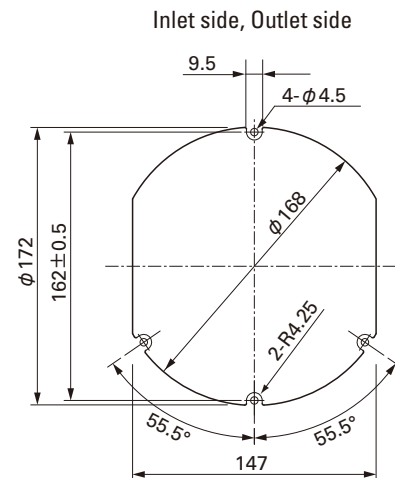
※PWM Frequency : 25kHz

Available options: ⇒ **Without Sensor** **Pulse Sensor**

Dimensions (Unit : mm)



Reference dimension of mounting holes and vent opening (Unit : mm)



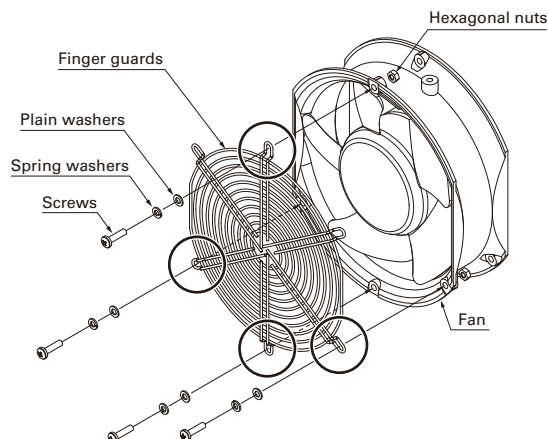
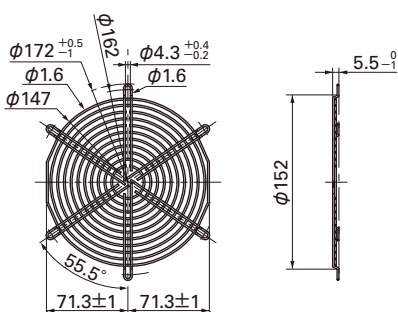
Options (Unit : mm)

Finger guards

Model : 109-319J Surface treatment : Nickel-chrome plating (silver) Color

For the finger guard Model: 109-319J, fix the finger guard to four holes as shown in the diagram.

Inlet side, Outlet side



Options (Unit : mm)

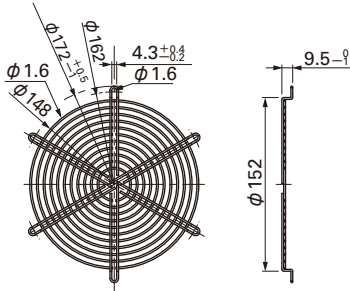
Finger guards

Model : 109-319E Surface treatment : Nickel-chrome plating (silver) Color : 109-319H : Cation electropainting (black)

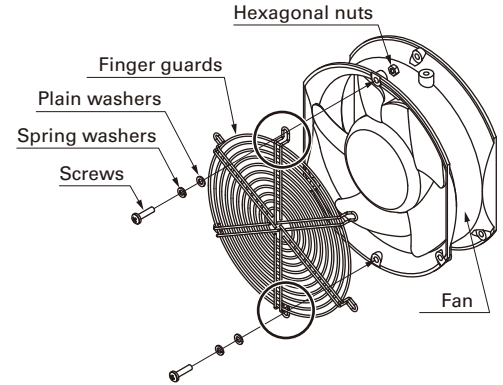
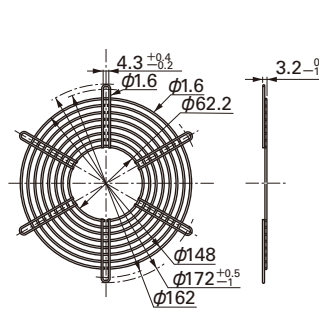
Model : 109-320 Surface treatment : Nickel-chrome plating (silver) Color :

For the finger guard Model: 109-319E, 109-319H, 109-320, fix the finger guard to two holes as shown in the diagram. Do not fix it to any other holes.

Inlet side, Outlet side

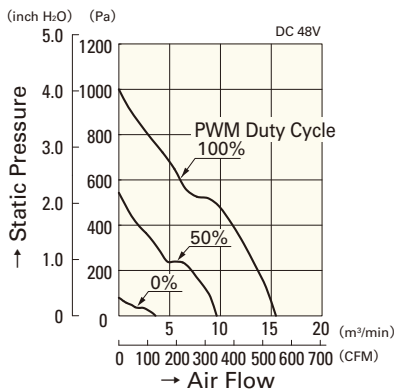


Outlet side

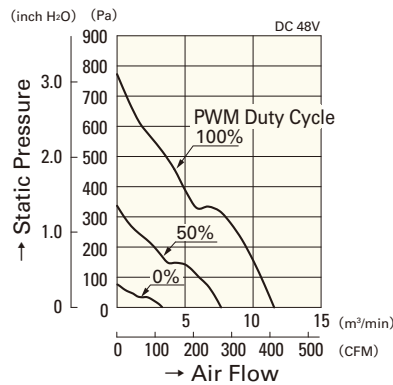


Air Flow - Static Pressure Characteristics

PWM Duty Cycle

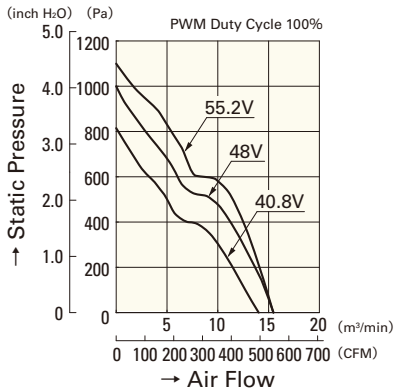


9WG5748P5G001

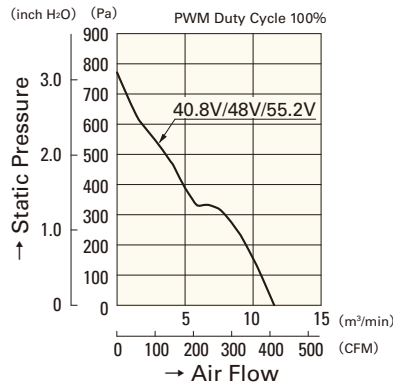


9WG5748P5H001

Operating Voltage Range

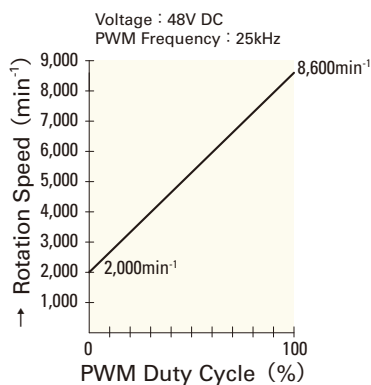


9WG5748P5G001

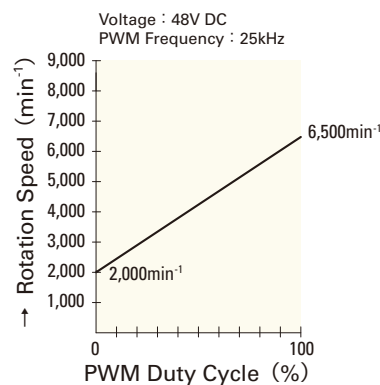


9WG5748P5H001

PWM Duty - Speed Characteristics Example



9WG5748P5G001



9WG5748P5H001