



## Bulkhead Hermetically Sealed 75 Ohm TNC Female to TNC Female Adapter

### TECHNICAL DATA SHEET

PE9624

#### Bulkhead Hermetically Sealed 75 Ohm TNC Female to TNC Female Adapter

##### Configuration

Connector 1	TNC Female
Impedance 1	75 Ohms
Connector Specification 1	MIL-C-39012
Connector 2	TNC Female
Impedance 2	75 Ohms
Connector Specification 2	MIL-C-39012
Adapter Design	Standard
Body Style	Straight
Mount Method	Bulkhead
Isolated Ground / Hermetic	Hermetically Sealed

##### Mechanical Specifications

###### Temperature

Operating Range, deg C	-65 to +165
------------------------	-------------

###### Size

Length, in [mm]	1.55 [39.37]
Width/Dia., in [mm]	0.685 [17.4]

###### Connector 1

Type	TNC Female
Inner Conductor Material and Plating	Silver
Inner Conductor Plating Specification	QQ-S-365
Body Material and Plating	Brass, Nickel
Dielectric Type	Teflon

###### Connector 2

Type	TNC Female
Inner Conductor Material and Plating	Silver
Inner Conductor Plating Specification	QQ-S-365
Body Material and Plating	Brass, Nickel
Dielectric Type	Teflon

##### Compliance Certifications (visit [www.Pasternack.com](http://www.Pasternack.com) for current document)

RoHS Compliant	Yes
----------------	-----

##### Plotted and Other Data

Notes:	Values at 25 °C, sea level
--------	----------------------------

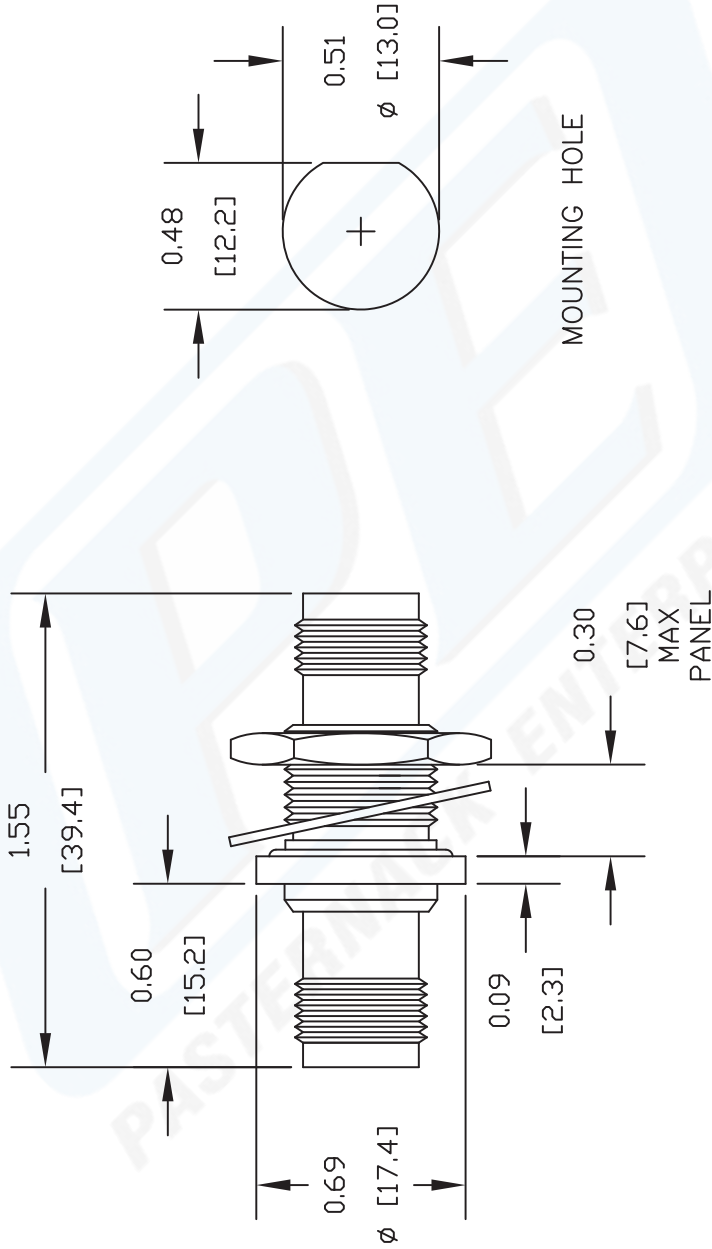
URL: <http://www.pasternack.com/tnc-female-tnc-female-straight-adapter-pe9624-p.aspx>

Bulkhead Hermetically Sealed 75 Ohm TNC Female to TNC Female Adapter from Pasternack Enterprises has same day shipment for domestic and International orders. Our RF, microwave and fiber optic products maintain a 99% availability and

The information contained in this document is accurate to the best of our knowledge and representative of the part described herein. It may be necessary to make modifications to the part and/or the documentation of the part, in order to implement improvements. Pasternack reserves the right to make such changes as required. Unless otherwise stated, all specifications are nominal.

# PE9624 CAD Drawing

Bulkhead Hermetically Sealed 75 Ohm TNC Female to TNC Female Adapter



NOTES:  
 1. UNLESS OTHERWISE SPECIFIED ALL DIMENSIONS ARE NOMINAL.  
 2. ALL SPECIFICATIONS ARE SUBJECT TO CHANGE WITHOUT NOTICE AT ANY TIME.  
 3. DIMENSIONS ARE IN INCHES (mm).

DWG TITLE  
**PE9624**

**PASTERNAK ENTERPRISES, INC.**  
 P.O. BOX 16759, IRVINE, CA 92623  
 PHONE (949) 261-1920 FAX (949) 261-7451  
 WEB ADDRESS: [www.pasternack.com](http://www.pasternack.com)  
 E-MAIL ADDRESS: [sales@pasternack.com](mailto:sales@pasternack.com)  
**COAXIAL & FIBER OPTICS**



REV. A	FSCM NO. 53919	CAD FILE 042110	SCALE N/A	SIZE A	127
--------	----------------	-----------------	-----------	--------	-----