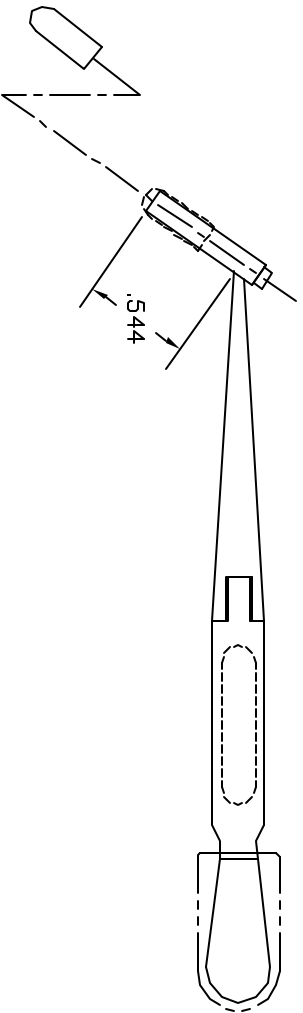
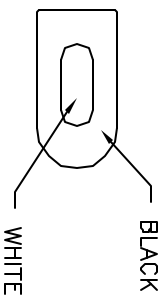
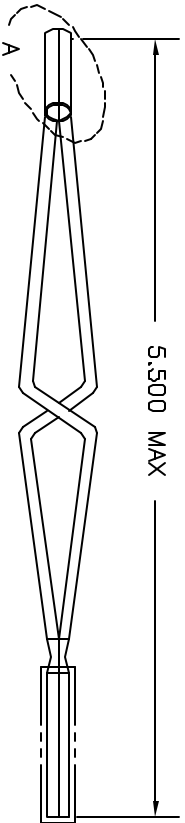
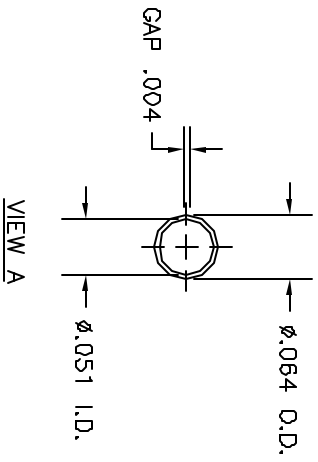


REVISIONS			
REV.	DATE	BY	APPROV.
1	2/14/98	MC	2/98
DESCRIPTION		DATE	
ORIGINAL RELEASE		2/14/98	



**UNCONTROLLED DOCUMENT
WILL NOT BE UPDATED**

RESTRICTED & CONFIDENTIAL
 PROPRIETARY PROPERTY OF DANIEL'S
 MANUFACTURING CORP. NOT TO BE
 DISCLOSED TO OTHERS, REPRODUCED
 OR USED FOR ANY OTHER PURPOSE,
 EXCEPT AS AUTHORIZED IN WRITING
 BY DANIEL'S MANUFACTURING.
 MUST BE RETURNED TO DANIEL'S
 MANUFACTURING ON OTHER PURPOSE FOR
 OF ORDER WHICH TEND.

DO NOT SCALE DRAWING

MATERIAL		ITEM		PART NO.		QTY.		DESCRIPTION/REMARKS	
HEAT TREAT		TRN.	MC	DATE	2/14/98				
		CHG'D.	DE	DATE	2/98				
		APP'D.		DATE					
		APP'D.		DATE					
FINISH		TITLE		WHERE USED		SIZE		SCALE	
		ENVELOPE DRAWING REMOVAL TOOL #22M		(M81868/8-02 REV. A)		B NTS		CAD P/N DRK95-22MA-ENV	
		DRK95-22MA-ENV		SHEET 1 OF 1		POSTING		REV. 1	