

Technical data sheet

Reflector

Part no.: 50124004

REF 6-S-26x280

Contents

- Technical data
- Dimensioned drawings
- Notes



Figure can vary

Technical data

Mechanical data

Design	Rectangular
Mounting dimension, width	24.5 mm
Reflection surface width	22 mm
Mounting dimension, height	278 mm
Reflection surface height	276 mm
Mounting dimension, thickness	9.4 mm
Direction independent	No
Triple reflector size	0.3 mm
Reflector material	Plastic
Material of base material	Plastic
Chemical designation, reflector material	PMMA8N
Structure, active surface	Mikrotriple
Net weight	30 g
Type of fastening	M4 threaded pin

Environmental data

Ambient temperature, operation	-40 ... 70 °C
--------------------------------	---------------

Certifications

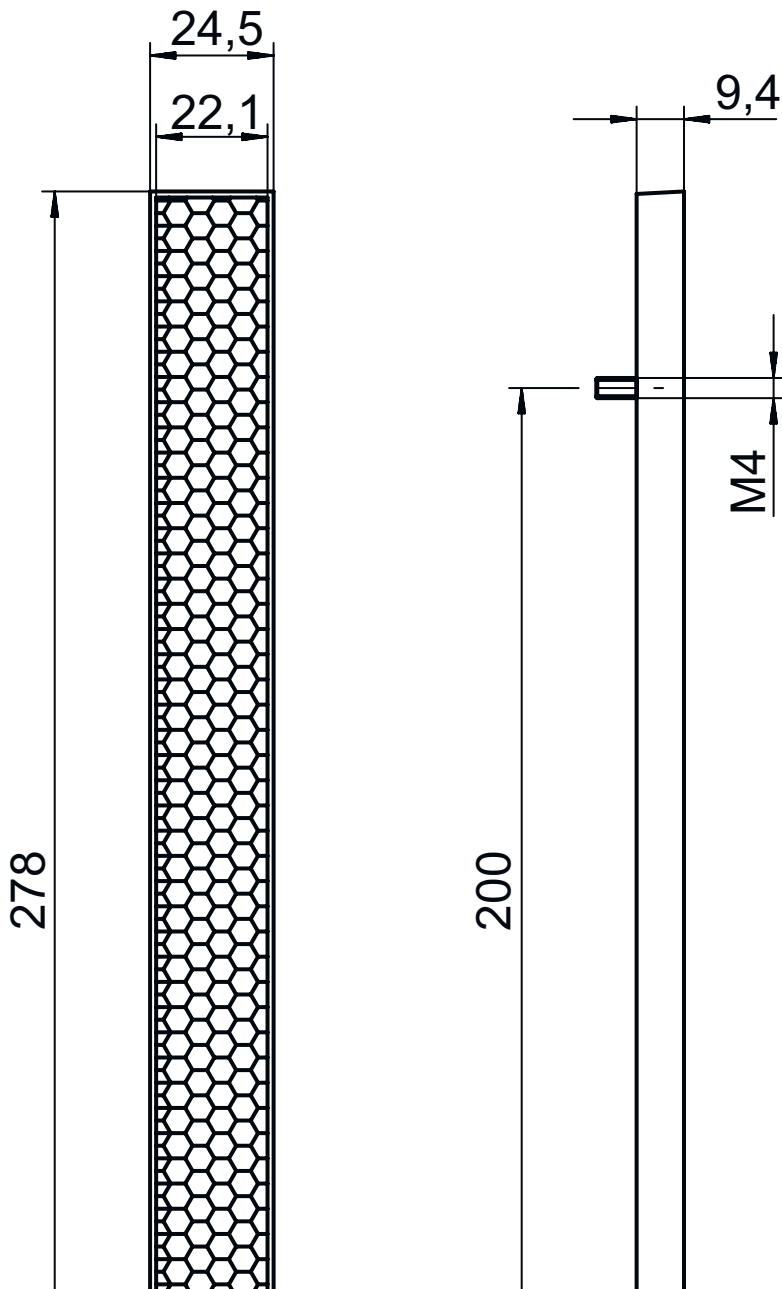
Degree of protection	IP 67
----------------------	-------

Classification

Customs tariff number	39269097
eCl@ss 8.0	27279203
eCl@ss 9.0	27273601
ETIM 5.0	EC002467
ETIM 6.0	EC002467

Dimensioned drawings

All dimensions in millimeters



Notes

NOTE



↳ The reflective tape has a dividing line