



Part no.: 50024127
TK 82.2
Reflector



Figure can vary

Contents

- Technical data
- Dimensioned drawings
- Accessories



Part no.: 50024127 – TK 82.2 – Reflector

Technical data

| Mechanical data | |
|--|-----------------------------------|
| Design | Round |
| Mounting dimension, thickness | 8.5 mm |
| Triple reflector size | 4 mm |
| Mounting dimension, diameter | 82 mm |
| Reflection surface diameter | 79 mm |
| Reflector material | Plastic |
| Material of base material | Plastic |
| Chemical designation, reflector material | PMMA8N |
| Structure, active surface | Triple |
| Net weight | 30 g |
| Type of fastening | Through-hole mounting Adhesive |
| Type of reflector | Reflector |

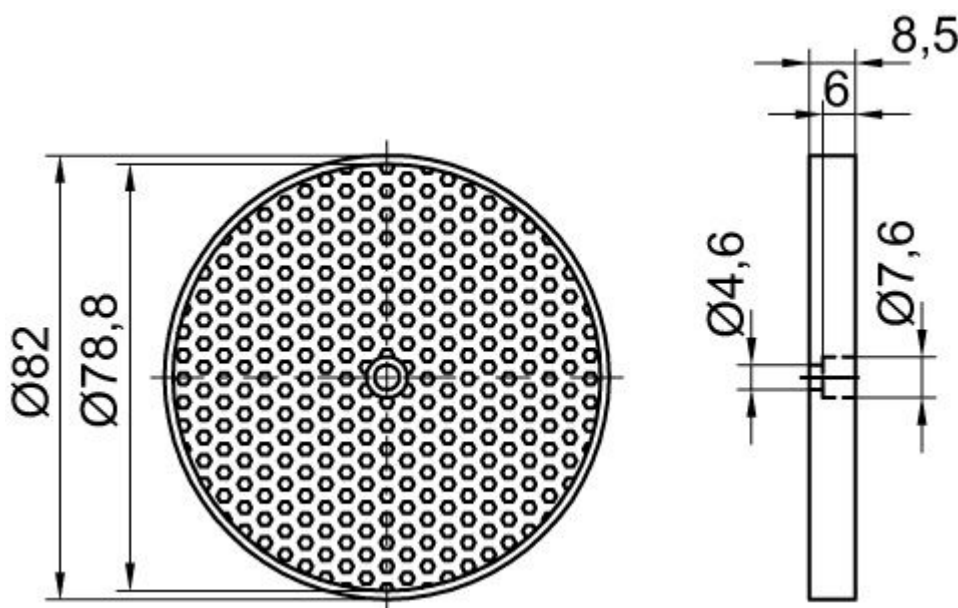
| Environmental data | |
|--------------------------------|---------------|
| Ambient temperature, operation | -40 ... 70 °C |

| Certifications | |
|-----------------------|-------|
| Degree of protection | IP 67 |

| Classification | |
|-----------------------|----------|
| eCl@ss 8.0 | 27279203 |
| eCl@ss 9.0 | 27273601 |
| ETIM 5.0 | EC002467 |

Dimensioned drawings



All dimensions in millimeters



Part no.: 50024127 – TK 82.2 – Reflector

Accessories

Mounting technology - Rod mounts

| | Part no. | Designation | Article | Description |
|---|----------|----------------|-----------------|--|
|  | 50122797 | BTU 346M-D12 | Mounting system | Contains: 2x M4 x 25 screw, 2x position washers Design of mounting device: Mounting system Mounting bracket, at system: For 12 mm rod, Sheet-metal mounting Mounting bracket, at device: Screw type Type of mounting device: Turning, 360°, Clampable, Adjustable Material: Metal |
|  | 50122798 | BTU 346M.5-D12 | Mounting system | Design of mounting device: Mounting system Mounting bracket, at system: For 12 mm rod, Sheet-metal mounting Mounting bracket, at device: Screw type Type of mounting device: Turning, 360°, Clampable, Adjustable Material: Stainless steel |