

ENC

Graphite Enclosures Installation Guide



DESCRIPTION

The efficient design and simple construction of these enclosures make them durable in corrosive environments, yet aesthetically pleasing. The continuous hinge provides a secure seal, and double latching creates added security.

The fiberglass material is light-gray inside and out. Optional steel mounting plates are painted white.

SPECIFICATIONS

Compression-molded fiberglass has outstanding chemical- and temperature-resistance qualities and exhibits excellent weatherability and physical properties

Fiberglass is easily punched, drilled, filled or sawed

Gasket assures water-tight and dust-tight seal

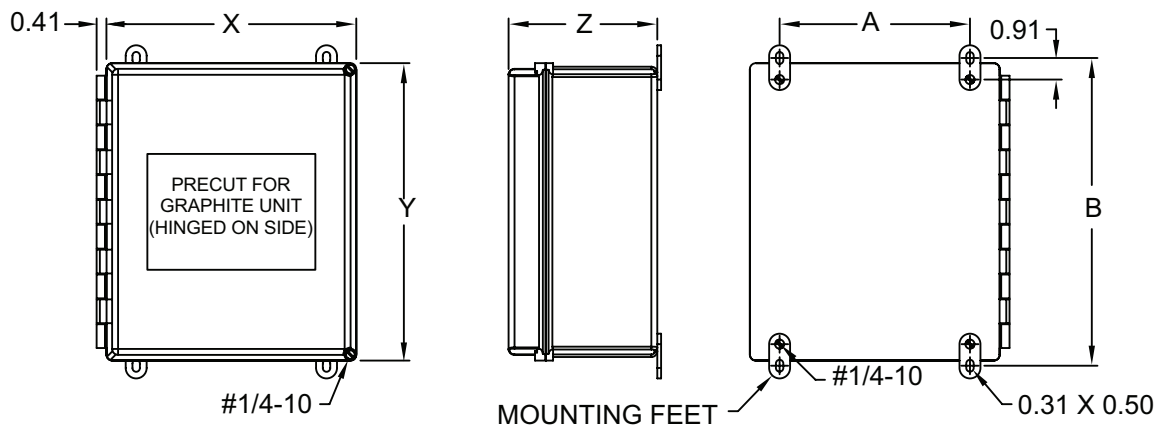
Polyester mounting brackets and stainless steel attachment screws are provided with each enclosure

Hinged cover attached to body with Type 316 stainless steel hinge pin

Screw-cover enclosures are secured with two captivated Type 316 stainless steel slotted cover screws

Hinge pin and bail are corrosion-resistant Type 316 stainless steel

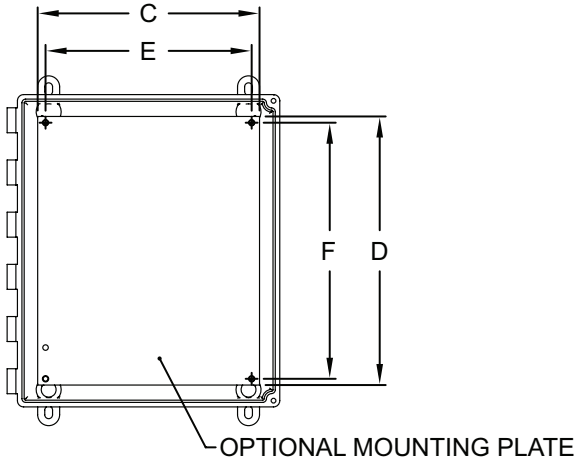
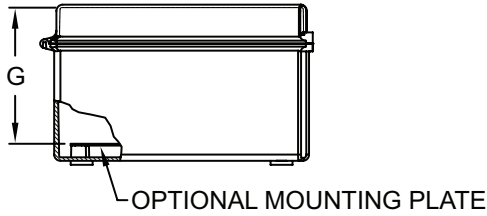
DIMENSIONS In inches (mm)



	PART NUMBER	DIM "X"	DIM "Y"	DIM "Z"	DIM "A"	DIM "B"
G07	ENC00007	10.50 (266.70)	12.50 (317.50)	6.25 (158.75)	8.00 (203.20)	12.94 (328.68)
G09	ENC00009	12.55 (318.77)	14.55 (369.57)	8.31 (211.07)	10.00 (254.00)	14.94 (379.48)
G10	ENC00010	12.55 (318.77)	14.55 (369.57)	8.31 (211.07)	10.00 (254.00)	14.94 (379.48)
G12	ENC00012	14.55 (369.57)	16.55 (420.37)	8.31 (211.07)	12.00 (304.80)	16.94 (430.28)
G15	ENC00015	16.58 (421.13)	18.58 (471.93)	10.32 (262.13)	14.00 (355.60)	18.94 (481.08)

OPTIONAL MOUNTING PLATE

DIMENSIONS In inches (mm)



	PART NUMBER	DIM "C"	DIM "D"	DIM "E"	DIM "F"	DIM "G"
G07	PNENC007	8.88 (225.55)	10.75 (273.05)	8.25 (209.55)	10.25 (260.35)	5.45 (138.43)
G09/10	PNENC910	10.88 (276.35)	12.75 (323.85)	10.25 (260.35)	12.25 (311.15)	7.45 (189.23)
G12	PNENC012	12.88 (327.15)	14.75 (374.65)	12.25 (311.15)	14.25 (361.95)	7.45 (189.23)
G15	PNENC015	14.88 (377.95)	16.75 (425.45)	14.25 (361.95)	16.25 (412.75)	9.45 (240.03)

LIMITED WARRANTY

The Company warrants the products it manufactures against defects in materials and workmanship for a period limited to two years from the date of shipment, provided the products have been stored, handled, installed, and used under proper conditions. The Company's liability under this limited warranty shall extend only to the repair or replacement of a defective product, at The Company's option. The Company disclaims all liability for any affirmation, promise or representation with respect to the products.

The customer agrees to hold Red Lion Controls harmless from, defend, and indemnify RLC against damages, claims, and expenses arising out of subsequent sales of RLC products or products containing components manufactured by RLC and based upon personal injuries, deaths, property damage, lost profits, and other matters which Buyer, its employees, or sub-contractors are or may be to any extent liable, including without limitation penalties imposed by the Consumer Product Safety Act (P.L. 92-573) and liability imposed upon any person pursuant to the Magnuson-Moss Warranty Act (P.L. 93-637), as now in effect or as amended hereafter.

No warranties expressed or implied are created with respect to The Company's products except those expressly contained herein. The Customer acknowledges the disclaimers and limitations contained herein and relies on no other warranties or affirmations.