

WR-34 to 2.92mm Female Waveguide to Coax Adapter UG-1530/U Square Cover Flange With 22 GHz to 33 GHz Frequency Range

The FMWCA1021 is a waveguide to coaxial adapter operating in the 22 to 33 GHz frequency range. This adapter offers a WR-34 waveguide interface size coupled with a precision tolerance UG-1530/U Square Cover flange. The FMWCA1021 is constructed of aluminum to ensure durability and repeatable RF performance. The coaxial connection offered by this adapter uses a 2.92mm Female connector.

Configuration

Waveguide Size	WR-34
Flange	UG-1530/U Square Cover
RF Connector	2.92mm Female
Body Geometry	Right Angle

Electrical Specifications

Description	Min	Typ	Max	Units
Frequency Range	22		33	GHz
VSWR			1.25:1	
Insertion Loss		0.3		dB

Mechanical Specifications

RF Connector	
Connector Type	2.92mm Female
Waveguide Interface	
Waveguide Type	WR-34
Flange Type	Square Cover
Flange Designation	UG-1530/U
Body Material and Plating	Aluminum, Chem Film

Compliance Certifications (see [product page](#) for current document)

Plotted and Other Data

- Notes:
- Values at +25 °C, sea level unless stated otherwise



Features:

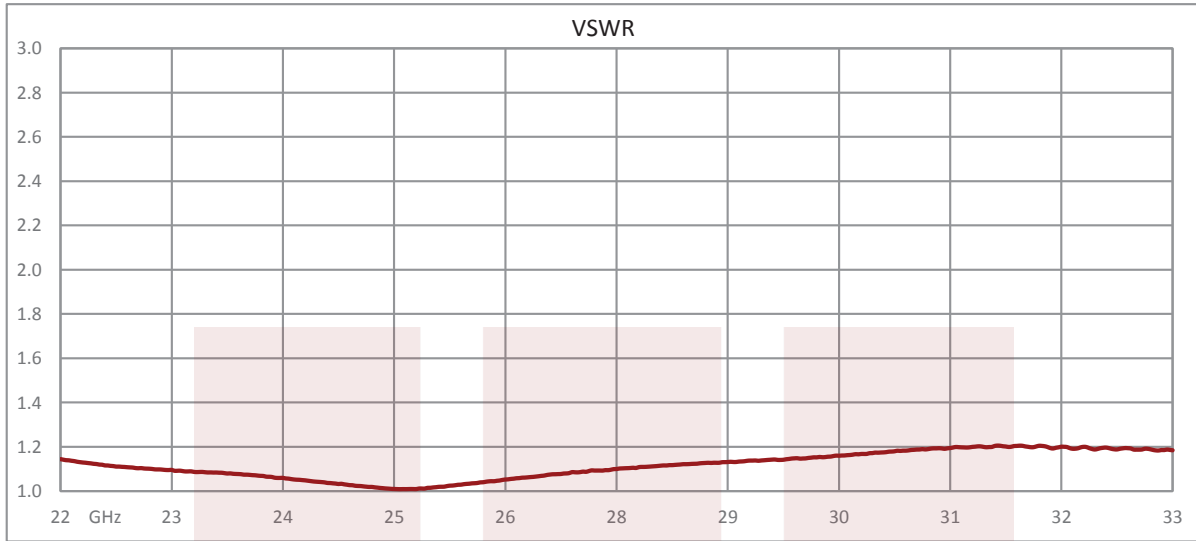
- 22 to 33 GHz Frequency Range
- WR-34 Waveguide Interface with UG-1530/U Square Cover Flange
- 2.92mm Female RF Interface
- Comprehensive waveguide offerings also include E-Bends, H-Bends, Sections, Filters, Terminations, Couplers, and more.

Applications:

- Test Benches
- Radar
- Satellite
- Microwave Radio Systems
- Military and Space
- Communication Systems

Fairview Microwave
 301 Leora Ln., Suite 100
 Lewisville, TX 75056
 Tel: 1-800-715-4396 / (972) 649-6678
 Fax: (972) 649-6689
www.fairviewmicrowave.com
sales@fairviewmicrowave.com

Typical Performance Data

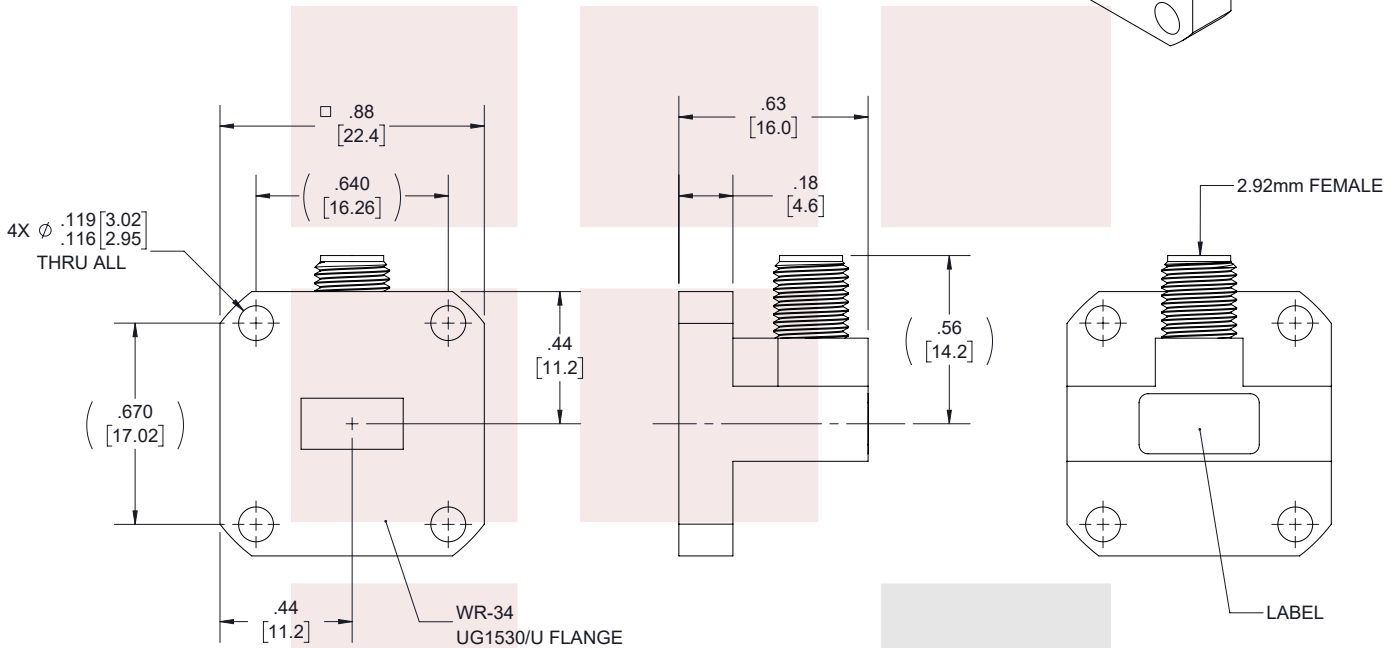
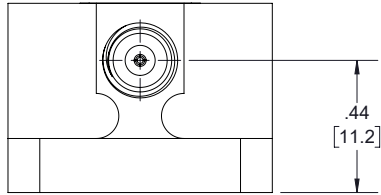
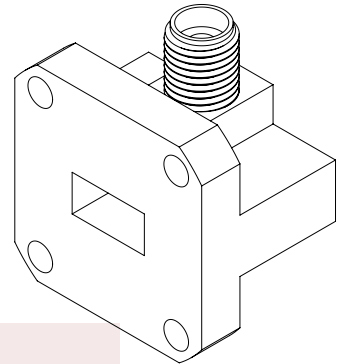


WR-34 to 2.92mm Female Waveguide to Coax Adapter UG-1530/U Square Cover Flange With 22 GHz to 33 GHz Frequency Range from Fairview Microwave is in-stock and available to ship same-day. All of our RF/microwave products are available off-the-shelf from our ISO 9001:2008 certified facilities in Allen, Texas. Fairview Microwave is RF on-demand.

For additional information on this product, please click the following link: [WR-34 to 2.92mm Female Waveguide to Coax Adapter UG-1530/U Square Cover Flange With 22 GHz to 33 GHz Frequency Range FMWCA1021](#)

URL: <https://www.fairviewmicrowave.com/wr-34-2.92mm-female-waveguide-coax-adapter-ug1530-square-33-ghz-fmw-ca1021-p.aspx>

The information contained in this document is accurate to the best of our knowledge and representative of the part described herein. It may be necessary to make modifications to the part and/or the documentation of the part, in order to implement improvements. Fairview Microwave reserves the right to make such changes as required. Unless otherwise stated, all specifications are nominal. Fairview Microwave does not make any representation or warranty regarding the suitability of the part described herein for any particular purpose, and Fairview Microwave does not assume any liability arising out of the use of any part or documentation.



LABEL:

FAIRVIEW MICROWAVE
 FMWCA1021
 22.0 - 33.0 GHz

STANDARD TOLERANCES

- .X ±0.2
- .XX ±0.02
- .XXX ±0.010

*STANDARD TOLERANCES APPLY ONLY TO DIMENSIONS IN INCHES

FAIRVIEW MICROWAVE INC. ALLEN, TX 75013 WWW.FAIRVIEWMICROWAVE.COM		NOTES: 1. UNLESS OTHERWISE SPECIFIED ALL DIMENSIONS ARE NOMINAL. 2. ALL SPECIFICATIONS ARE SUBJECT TO CHANGE WITHOUT NOTICE AT ANY TIME. 3. DIMENSIONS ARE IN INCHES [mm].					
TITLE		DWG NO FMWCA1021			CAGE CODE 3FKR5		
WR-34 to 2.92mm Female Waveguide to Coax Adapter UG-1530/U Square Cover Flange With 22 GHz to 33 GHz Frequency Range		CAD FILE	020818	SHEET	1 OF 1	SCALE	N/A
		SIZE	A	7361			