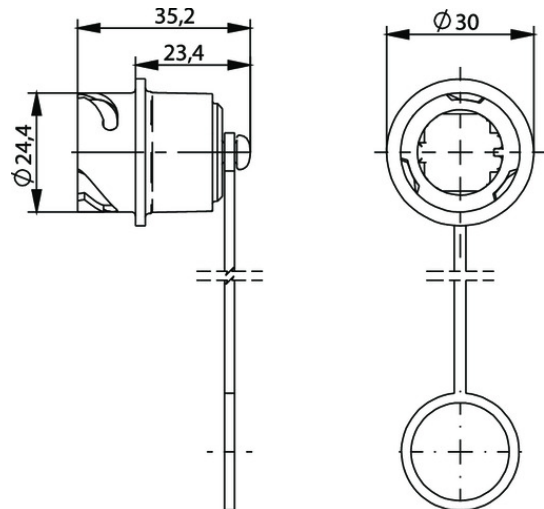


order number: H80030A0000

STX V1 plug protection cap



Fig. may differ



Technical Attributes	
Description	STX V1 plug protection cap
Remarks	plastic

### Description of the Series/Product Category

Notice: The following information refer to the series/product category as a whole. Please see the specific datasheet for specific technical information of a particular product.

Modern industrial and building wiring envisions linking the office network with the manufacturing network and its subordinate production cells and machinery. The applicable standard for this, ISO/IEC 24702 resp. EN 50173-1 and -3, are intended for situations with a high level of bidirectional traffic between the administration and manufacturing areas whereby realtime transmissions with high security, 100% availability and simultaneous high inv...

Connectors for modern industrial applications need to be designed in such a way that they simplify processes and cope with faster data transmission. Telegärtner recommends the connectors of Variant 1 for generic cabling of factory automation machinery (Automation Island, ODVA) acc. IEC 61918 in a robust metal or plastic design. The connectors of Variant 1 are standardized in the IEC 61076-3-106, designed to meet the demands of harsh industria...

## Performance Characteristics

- bayonet lock
- storage of cables with diameter 5...10 mm
- twist-off grip facility
- high resistance to chemicals
- protection class IP67 in combination with bulkhead protective cap
- protection class IP67 in combination with plug housing
- plug protective cap for plug housing complying with IEC 61076-3-106 Variant 1
- captive, attached protective cap
- to protect plug inserts inside of plug housing
- available with RJ45 Cat.6<sub>A</sub>, Cat.6 Class E<sub>A</sub>, USB or FO insert