

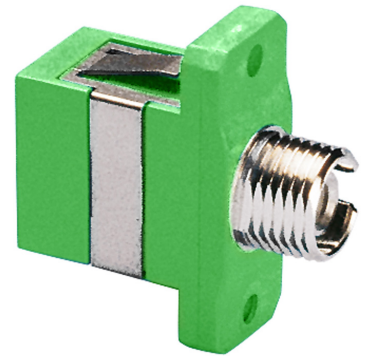
FSC-FCPC-D600

Description

SC-FC adaptor, SM, APC, green, simplex, 2-hole flange, small key

Features

- Hybrid adaptor SC-FC
- Wide key
- SC: IEC 61754-4, TIA 604-3
- FC: IEC 61754-13, TIA 604-4-A



Technical Data

General Data

Characteristics	Values
Specified acc. to	IEC 61754-15
Adaptor family	SC FCPC
Adaptor type	SM APC,
Weight in kg	0.0044
Material	Plastic
Color of housing	Green

Mechanical Data

Characteristics	Values
Operating temperature min. (°C)	-40
Operating temperature max. (°C)	85
Min. mating cycles	1000

Optical Data

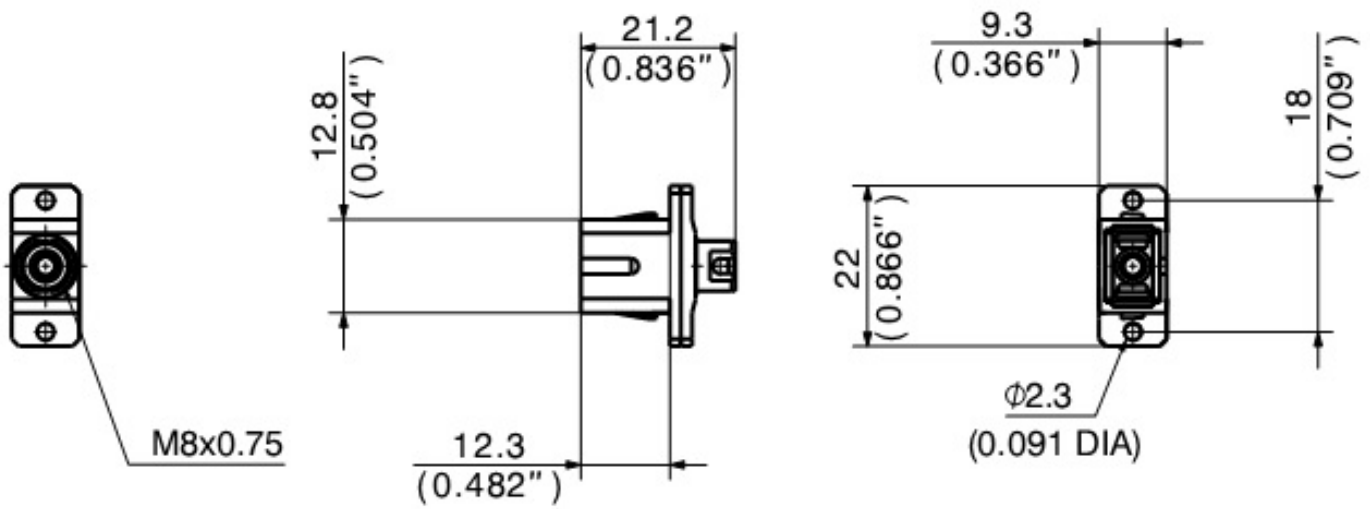
Characteristics	Values
IL repeatability (dB)	0.1

Environment Data

Characteristics	Values
RoHS compliant	Yes
REACH compliant	Yes
UV resistant	Yes
Flammability rating	UL 94 V-0
Free of halogen	Yes

FSC-FCPC-D600

Technical drawing



Ordering information

Description	Item number
FSC-FCPC-D600	84082573
FSC-FCPC-D600_100-P	84030205