

DO NOT SCALE FROM THIS PRINT

ISDF-XX-S-X
 No OF POSITIONS -02 THRU -50
 METAL RETENTION LATCH (LEAVE BLANK FOR NO LATCH) -M: METAL RETENTION LATCH
 ROW SPECIFICATION -S: SINGLE (USE ISDF-XX-S-R)

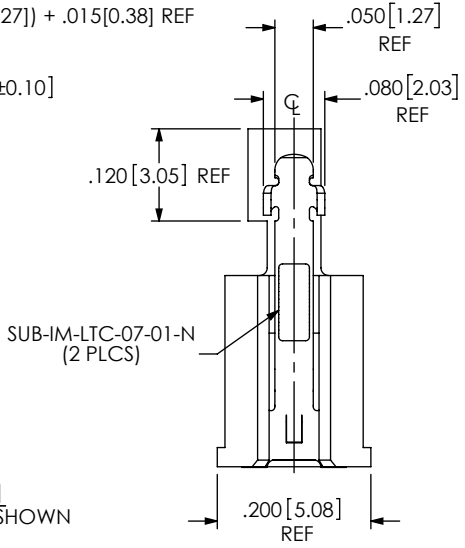
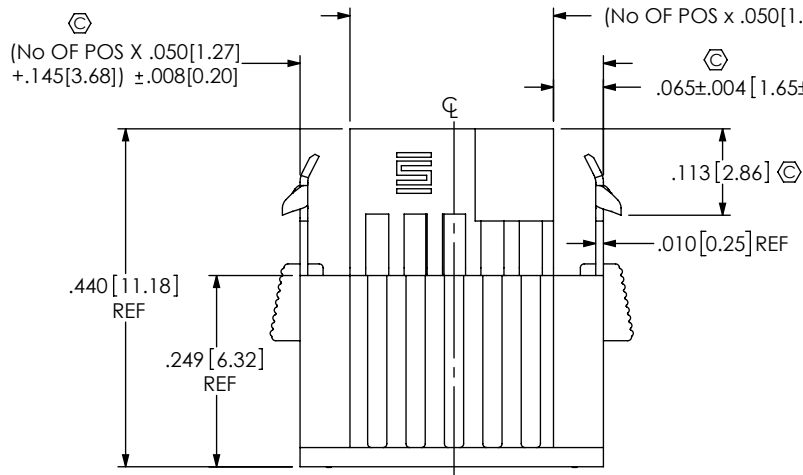
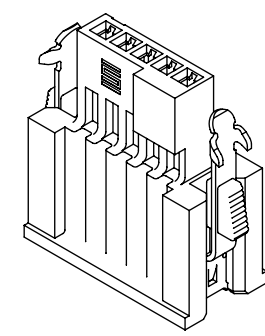
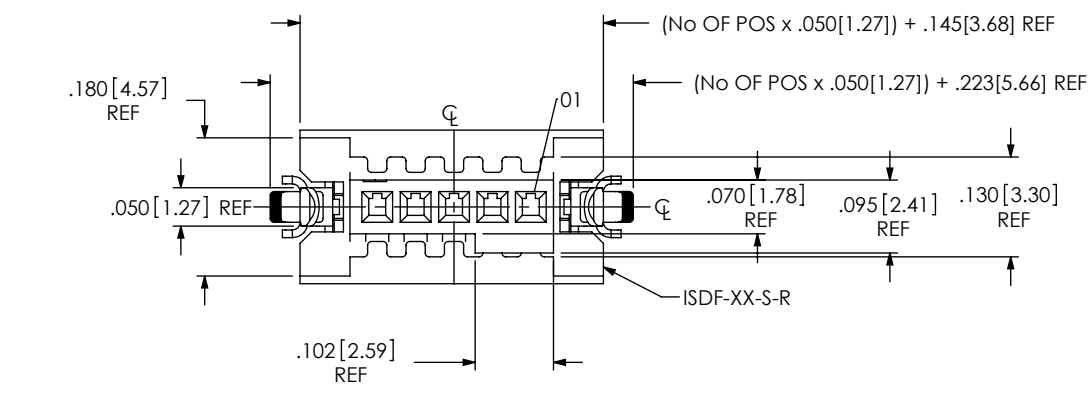


FIG 1
ISDF-05-S-M SHOWN

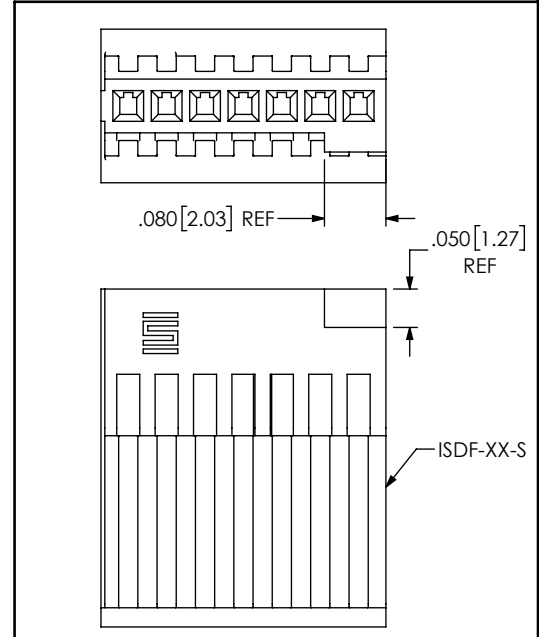
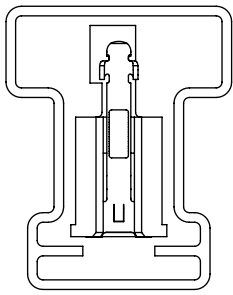
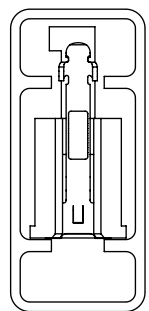


FIG 2
ISDF-07-S SHOWN
(DIFFERENT AS SHOWN, OTHERWISE SAME AS FIG 1)

PACKAGING VIEW



TUBE: PT-1-24-02-44
PLUG: TP-03



POSITIONS -02 THRU -04
TUBE: PT-1-24-05-29
PLUG: TP-03

NOTES:

- ① REPRESENTS A CRITICAL DIMENSION.
- LATCH RETENTION FORCE: .5 LB [2.22N].
- PARTS TO BE PACKAGED IN TUBES.

UNLESS OTHERWISE SPECIFIED, DIMENSIONS ARE IN INCHES.
 TOLERANCES ARE:
 DECIMALS ANGLES
 .XX: ±.01 [.3] 2°
 .XXX: ±.005 [.13]
 .XXXX: ±.0020 [.051]

PROPRIETARY NOTE
 THIS DOCUMENT CONTAINS CONFIDENTIAL AND PROPRIETARY INFORMATION AND ALL DESIGN, MANUFACTURING, REPRODUCTION, USE, PATENT RIGHTS AND SALES RIGHTS ARE EXPRESSLY RESERVED BY SAMTEC, INC. THIS DOCUMENT SHALL NOT BE DISCLOSED, IN WHOLE OR PART, TO ANY UNAUTHORIZED PERSON OR ENTITY NOR REPRODUCED, TRANSFERRED OR INCORPORATED IN ANY OTHER PROJECT IN ANY MANNER WITHOUT THE EXPRESS WRITTEN CONSENT OF SAMTEC, INC.



520 PARK EAST BLVD, NEW ALBANY, IN 47150
 PHONE: 812-944-6733 FAX: 812-948-5047
 e-Mail: info@SAMTEC.com code 55322

MATERIAL: DO NOT SCALE DRAWING SHEET SCALE: 4:1
 INSULATOR: LCP, UL 94V-0, COLOR: BLACK
 LATCH: NICKEL-PLATED PHOS BRONZE
 BUTTON: NYLON, COLOR: WHITE

DESCRIPTION:
 .050 [1.27] DISCRETE WIRE INSULATOR & LATCH ASM
 DWG. NO. ISDF-XX-S-X