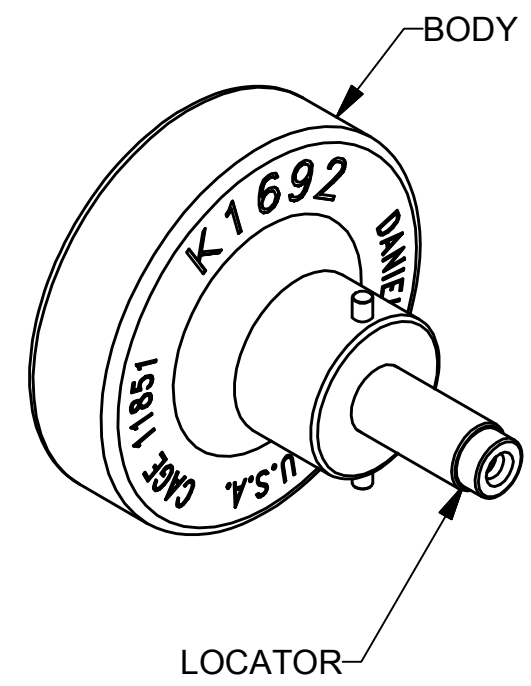
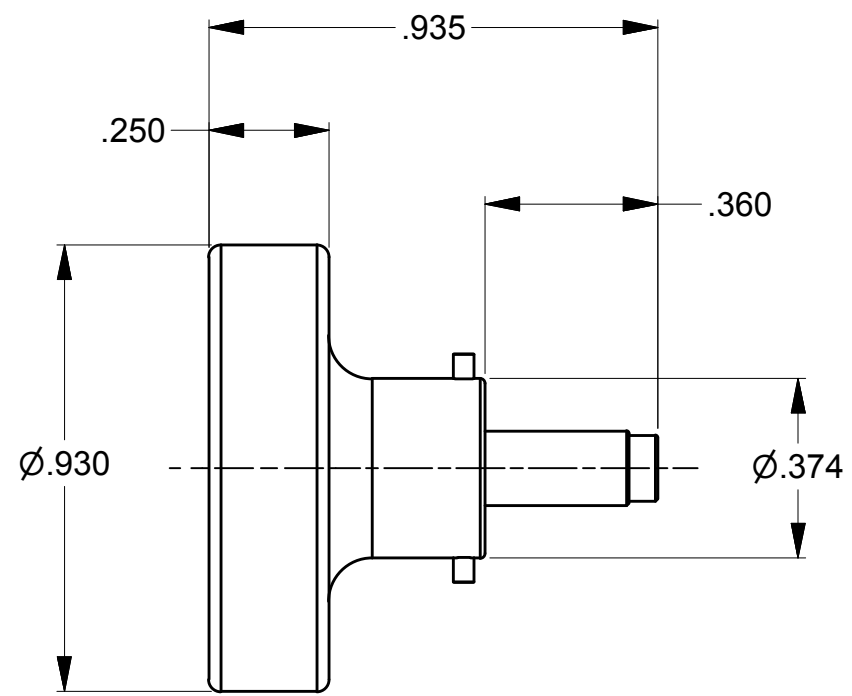
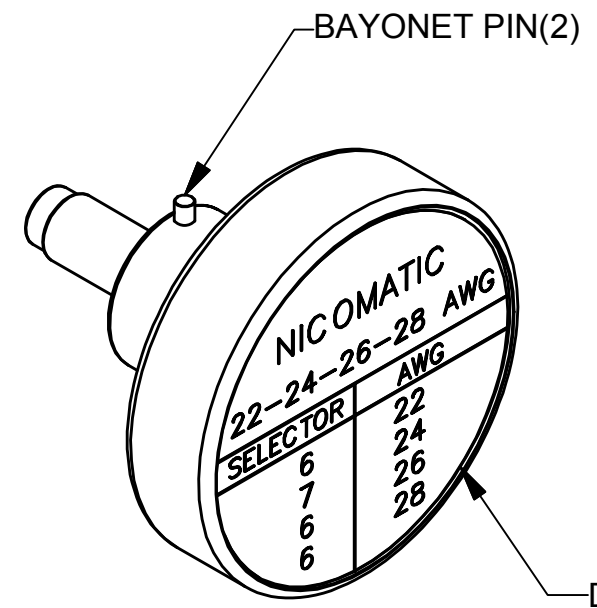


REVISIONS				
REV SYM	ECO NUMBER	DESCRIPTION	BY DATE	APP'D DATE
1	20414	ORIGINAL RELEASE	TD 01-07-08	
2	23135	LOCATOR CHANGE	TD 10-25-13	



**UNCONTROLLED DOCUMENT
WILL NOT BE UPDATED**

DIMENSIONS IN INCHES - UNLESS OTHERWISE SPECIFIED



NICOMATIC 22-24-26-28 AWG	
SELECTOR	AWG
6	22
7	24
6	26
6	28

LOCATOR	
HOLE DIMENSIONS	ADDITIONAL FEATURES
Ø.053	└┘Ø.059
▽.197	▽.040

RESTRICTED & CONFIDENTIAL <small>CONFIDENTIAL PROPERTY OF DANIELS MANUFACTURING CORP. NOT TO BE DISCLOSED TO OTHERS, REPRODUCED OR USED FOR ANY OTHER PURPOSE EXCEPT AS AUTHORIZED IN WRITING BY DANIELS MANUFACTURING. MUST BE RETURNED TO DANIELS MANUFACTURING CORP. ON COMPLETION OF ORDER OR OTHER PURPOSE FOR WHICH LENT.</small>	MATERIAL	ITEM	PART No.	QTY.	DESCRIPTION/REMARKS
	HEAT TREAT	DRN. <i>Tony Dilworth</i>	DATE 01-07-08		DMC DANIELS MANUFACTURING CORP. ORLANDO, FLORIDA CAGE 11851
	FINISH	CHK'D.	DATE		
	DO NOT SCALE DRAWING		NOTE: THIS DRAWING IS AN OUTLINE DRAWING OF THE RESPECTIVE DMC PART NUMBER INDICATED. ACTUAL DMC PART NUMBER IS DRAWING NUMBER WITHOUT THE "-ENV" SUFFIX	APP'D.	DATE
				WHERE USED: AFM8	
				SIZE B	SCALE 2.5X
				CAD P/N K1692-ENV	SHEET OF 1 1
				POSTING	P/N K1692-ENV
					REV. 2