

Coaxial

# Adapter 2.4mm NMD-M to 2.92 mm-F

**KF-24MNMD+**

50Ω DC to 40 GHz

## The Big Deal

- Ultra-wideband, DC-40 GHz
- Flat response
- Low insertion loss, 0.06 dB typ.
- Excellent VSWR, 1.06:1 typ.



CASE STYLE: DJ2931

## Product Overview

Mini-Circuits' KF-24MNMD+ is a coaxial 2.44 mm NMD-M to 2.92 mm-F adapter supporting a wide range of applications from DC to 40 GHz. This model provides excellent VSWR, low insertion loss, and flat response versus frequency. The KF-24MNMD+ features passivated stainless steel construction and measures only 0.807" (l).

## Key Features

| Feature  | Advantages  |
|--|---|
| Wideband, DC to 40 GHz                               | Wide frequency range provides application flexibility and makes this model ideal for broad-band and multi-band use.   |
| Excellent VSWR, 1.06:1 typ.                          | Provides good matching for 50Ω systems and minimizes signal reflections across wide frequency range.                  |
| Low insertion loss, 0.06 dB typ.                     | Provides excellent signal power transmission from input to output.  |
| Passivated stainless steel construction.             | Stands up to wear and tear in demanding environments and provides excellent reliability.                              |
| Very wide operating temperature range, -55 to +100°C | Withstands extreme operating conditions and is suitable for use near high power components where heat rise is common. |

### Notes

- A. Performance and quality attributes and conditions not expressly stated in this specification document are intended to be excluded and do not form a part of this specification document.  
B. Electrical specifications and performance data contained in this specification document are based on Mini-Circuit's applicable established test performance criteria and measurement instructions.  
C. The parts covered by this specification document are subject to Mini-Circuits standard limited warranty and terms and conditions (collectively, "Standard Terms"); Purchasers of this part are entitled to the rights and benefits contained therein. For a full statement of the Standard Terms and the exclusive rights and remedies thereunder, please visit Mini-Circuits' website at [www.minicircuits.com/MCLStore/terms.jsp](http://www.minicircuits.com/MCLStore/terms.jsp)



# Coaxial Adapter

## 2.4mm NMD-M to 2.92mm-F

50Ω DC to 40 GHz

# KF-24MNMD+



Generic photo used for illustration purposes only

CASE STYLE: DJ2931

### Maximum Ratings

Operating Temperature -55°C to 100°C

Storage Temperature -55°C to 100°C

Permanent damage may occur if any of these limits are exceeded.

### Features

- flat response
- excellent VSWR, 1.06:1 typ. up to 40 GHz
- low cost adapters, available from stock
- stainless steel body, passivated

### Applications

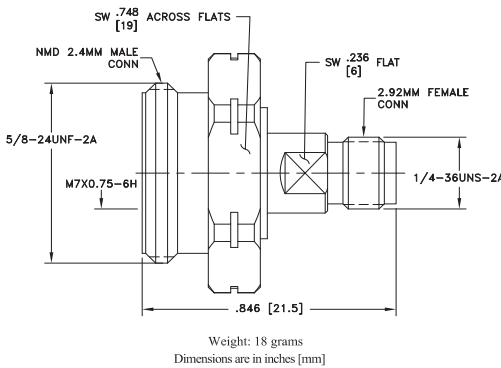
- interconnection of RF cable and equipment

| Connectors              | Model      |
|-------------------------|------------|
| 2.4mm NMD-M to 2.92mm-F | KF-24MNMD+ |

**+RoHS Compliant**

The +Suffix identifies RoHS Compliance. See our web site for RoHS Compliance methodologies and qualifications

### Outline Drawing

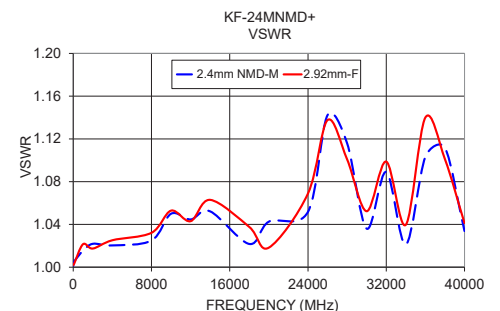
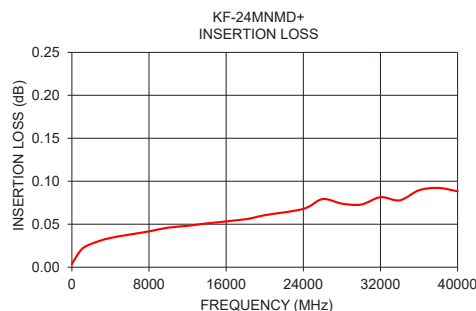


### Electrical Specifications at 25°C

| Parameter       | Condition (GHz) | Min. | Typ. | Max. | Units |
|-----------------|-----------------|------|------|------|-------|
| Frequency Range |                 | DC   |      | 40   | GHz   |
| Insertion Loss  | DC - 40         | —    | 0.06 | —    | dB    |
| VSWR            | DC - 40         | —    | 1.06 | 1.2  | :1    |

### Typical Performance Data

| Frequency (GHz) | Insertion Loss (dB) | VSWR (:1)    |           |
|-----------------|---------------------|--------------|-----------|
|                 |                     | 2.4 mm NMD-M | 2.92 mm-F |
| 10              | 0.00                | 1.00         | 1.00      |
| 100             | 0.01                | 1.01         | 1.00      |
| 1000            | 0.02                | 1.02         | 1.02      |
| 2000            | 0.03                | 1.02         | 1.02      |
| 4000            | 0.03                | 1.02         | 1.03      |
| 8000            | 0.04                | 1.02         | 1.03      |
| 12000           | 0.05                | 1.04         | 1.04      |
| 14000           | 0.05                | 1.05         | 1.06      |
| 18000           | 0.06                | 1.02         | 1.04      |
| 20000           | 0.06                | 1.04         | 1.02      |
| 24000           | 0.07                | 1.05         | 1.07      |
| 26000           | 0.08                | 1.14         | 1.14      |
| 28000           | 0.07                | 1.12         | 1.10      |
| 30000           | 0.07                | 1.04         | 1.05      |
| 32000           | 0.08                | 1.09         | 1.10      |
| 36000           | 0.09                | 1.10         | 1.14      |
| 38000           | 0.09                | 1.11         | 1.10      |
| 40000           | 0.09                | 1.03         | 1.04      |



### Notes

- Performance and quality attributes and conditions not expressly stated in this specification document are intended to be excluded and do not form a part of this specification document.
- Electrical specifications and performance data contained in this specification document are based on Mini-Circuit's applicable established test performance criteria and measurement instructions.
- The parts covered by this specification document are subject to Mini-Circuit's standard limited warranty and terms and conditions (collectively, "Standard Terms"); Purchasers of this part are entitled to the rights and benefits contained therein. For a full statement of the Standard Terms and the exclusive rights and remedies thereunder, please visit Mini-Circuit's website at [www.minicircuits.com/MCLStore/terms.jsp](http://www.minicircuits.com/MCLStore/terms.jsp)



[www.minicircuits.com](http://www.minicircuits.com) P.O. Box 350166, Brooklyn, NY 11235-0003 (718) 934-4500 sales@minicircuits.com

REV. OR  
 M176040  
 KF-24MNMD+  
 BK/RS/CP  
 190821  
 Page 2 of 2