



COAXIAL

Adapter

KM-35F+

50Ω DC to 33 GHz 2.92 mm Male to 3.5 mm Female Straight

THE BIG DEAL

- Ultra-wideband, DC to 33 GHz
- Low insertion loss, 0.09 dB Typ.
- Excellent VSWR, 1.04:1 Typ.
- Flat response



Generic photo used for illustration purposes only

APPLICATIONS

- Test & Measurement Equipment
- Radar, EW and ECM Defense Systems
- LTE & 5G MIMO Infrastructure

Model No.	KM-35F+
Case Style	DJ3418
Connectors	2.92 mm Male to 3.5 mm Female

+RoHS Compliant
 The +Suffix identifies RoHS Compliance.
 See our website for methodologies and qualifications

PRODUCT OVERVIEW

Mini-Circuits' KM-35F+ is a coaxial 2.92mm Male to 3.5mm Female adapter supporting a wide range of applications from DC to 33 GHz. This model provides excellent VSWR, low insertion loss, and flat response versus frequency. The KM-35F+ features passivated stainless steel construction and measures only 0.81" in length.

KEY FEATURES

Features	Advantages
Wideband, DC to 33 GHz	Wide frequency range provides application flexibility and makes this model ideal for broadband and multi-band use
Excellent VSWR, 1.04:1 Typ.	Provides good matching for 50Ω systems and minimizes signal reflections across wide frequency range.
Low insertion loss, 0.09 dB Typ.	Provides excellent signal power transmission from input to output.
Passivated stainless steel construction.	Stands up to wear and tear in demanding environments and provides excellent reliability.
Very wide operating temperature range, -45 to +125 °C	Withstands extreme operating conditions and is suitable for use near high power components where heat rise is common.





COAXIAL

Adapter

KM-35F+

50Ω DC to 33 GHz 2.92 mm Male to 3.5 mm Female Straight

ELECTRICAL SPECIFICATIONS AT 25°C

Parameter	Frequency (GHz)	Min.	Typ.	Max.	Units
Frequency Range	-	DC	-	33	GHz
Insertion Loss	0.01-10	-	0.05	0.40	dB
	10-20	-	0.09	0.40	
	20-33	-	0.13	0.40	
VSWR	0.01-10	-	1.03	1.15	:1
	10-20	-	1.04	1.15	
	20-33	-	1.05	1.15	

MAXIMUM RATINGS

Parameter	Ratings
Operating Temperature	-45°C to 125°C
Storage Temperature	-45°C to 125°C

Permanent damage may occur if any of these limits are exceeded.



COAXIAL

Adapter

KM-35F+

Mini-Circuits

50Ω DC to 33 GHz 2.92 mm Male to 3.5 mm Female Straight

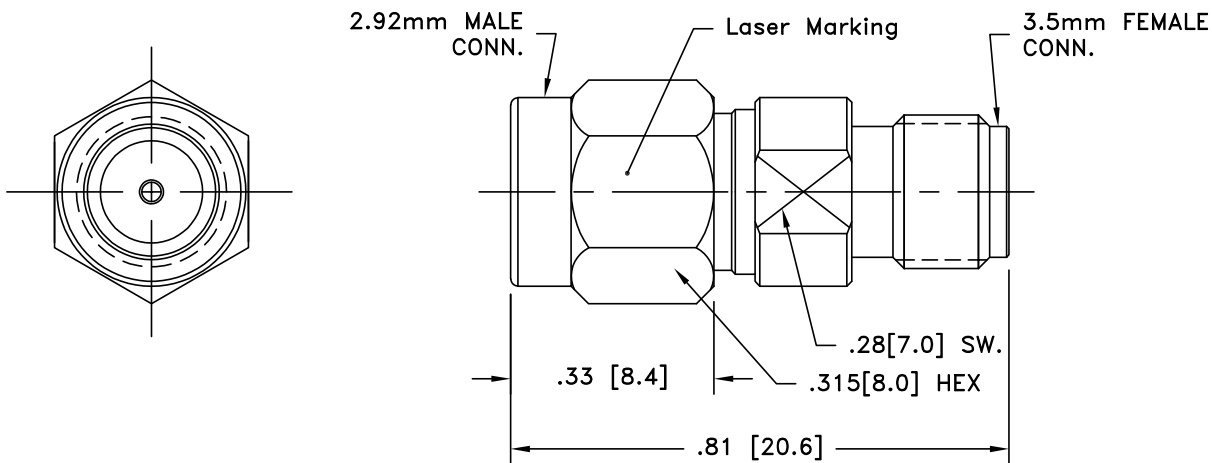
COAXIAL CONNECTIONS

Connector 1	2.92mm-Male
Connector 2	3.5mm-Female

CONNECTOR SPECIFICATIONS

	Connector 1	Connector 2
Connector Type	2.92mm Male	3.5mm Female
Orientation	Straight	
Impedance	50 Ω	
Connector Body	Passivated Stainless Steel	
Contact	Gold Plated Beryllium Copper	
Insulator	ULTEM-1000	
Lock Ring	Passivated Stainless Steel	
Gasket	Silicone Rubber	

OUTLINE DRAWING



Weight: 4.7 grams

Dimensions are in inches [mm]. Tolerances: 2 PL ±.03; 3 PL ±.015



COAXIAL

Adapter

KM-35F+

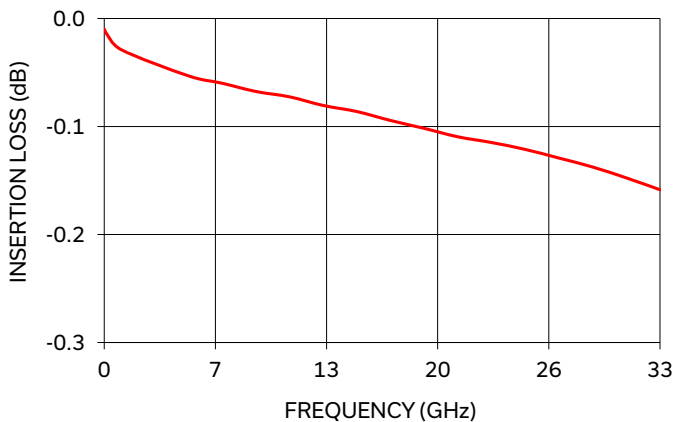
Mini-Circuits

50Ω DC to 33 GHz 2.92 mm Male to 3.5 mm Female Straight

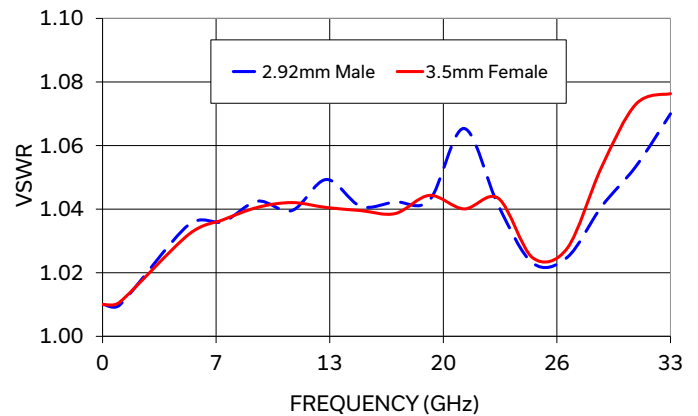
TYPICAL PERFORMANCE DATA AND CHARTS

Frequency (MHz)	Insertion Loss (dB)	VSWR (:1)	
		2.92mm Male	3.5mm Female
0.01	0.01	1.01	1.01
0.10	0.01	1.01	1.01
1.00	0.03	1.01	1.01
5.00	0.05	1.04	1.03
7.00	0.06	1.04	1.04
9.00	0.07	1.04	1.04
11.00	0.07	1.04	1.04
13.00	0.08	1.05	1.04
15.00	0.09	1.04	1.04
17.00	0.09	1.04	1.04
19.00	0.10	1.04	1.04
21.00	0.11	1.07	1.04
23.00	0.11	1.04	1.04
25.00	0.12	1.02	1.02
27.00	0.13	1.02	1.03
29.00	0.14	1.04	1.05
31.00	0.15	1.05	1.07
33.00	0.16	1.07	1.08

KM-35F+
INSERTION LOSS



KM-35F+
VSWR



NOTES

- A. Performance and quality attributes and conditions not expressly stated in this specification document are intended to be excluded and do not form a part of this specification document.
- B. Electrical specifications and performance data contained in this specification document are based on Mini-Circuit's applicable established test performance criteria and measurement instructions.
- C. The parts covered by this specification document are subject to Mini-Circuits standard limited warranty and terms and conditions (collectively, "Standard Terms"); Purchasers of this part are entitled to the rights and benefits contained therein. For a full statement of the standard terms and the exclusive rights and remedies thereunder, please visit Mini-Circuits' website at www.minicircuits.com/terms/viewterm.html

