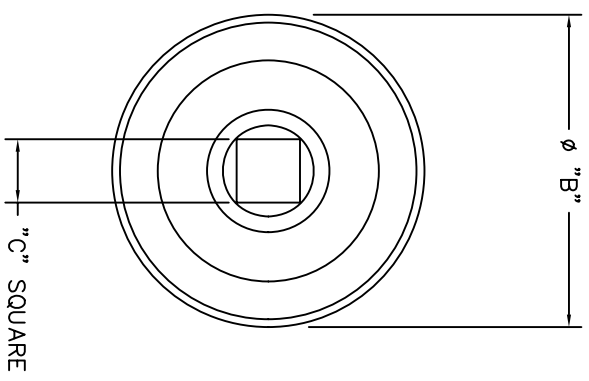
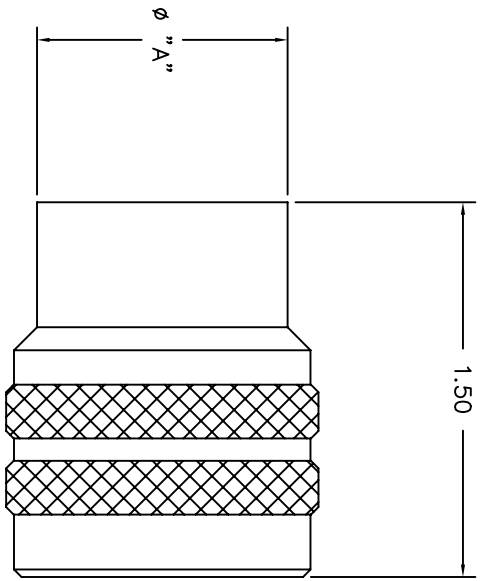


UNCONTROLLED DOCUMENT  
WILL NOT BE UPDATED

REVISIONS				
REV. SYMB.	E.C.O. NUMBER	DESCRIPTION	BY DATE	APP'D DATE
1		ORIGINAL RELEASE	JWM 5/2/00	RRR 5/2/00



PART NO.	DIM. "A"	DIM. "B"	DIM. "C"	REWORK POSITIONS
CM5015-28	1.680	1.740	3/8	ALL
CM5015-24	1.430	1.494	3/8	ALL
CM5015-22	1.305	1.369	3/8	ALL
CM5015-20	1.180	1.369	3/8	ALL
CM5015-18	1.055	1.119	1/4	ALL
CM5015-16	.935	1.000	1/4	ALL
CM5015-14	.810	.874	1/4	ALL
CM5015-12	.685	.874	1/4	ALL
CM5015-10	.570	.874	1/4	ALL
CM5015-8	.450	.874	1/4	ALL

RESTRICTED & CONFIDENTIAL CONFIDENTIAL PROPERTY OF DANIELS MANUFACTURING CORP. NOT TO BE DISCLOSED TO OTHERS. REPRODUCED OR USED FOR ANY OTHER PURPOSE, EXCEPT AS AUTHORIZED IN WRITING BY DANIELS MANUFACTURING CORP. MUST BE RETURNED TO DANIELS MANUFACTURING CORP. ON COMPLETION OF ORDER OR OTHER PURPOSE FOR WHICH LENT.		MATERIAL		ITEM		PART NO.		DESCRIPTION/REMARKS	
HEAT TREAT		FINISH		DRN. J. JOYCE CHK'D. RRR		DATE 5/2/00		DANIELS MANUFACTURING CORP. ORLANDO, FLORIDA CAGE 11851	
NOTE: THIS DRAWING IS AN OUTLINE DRAWING OF THE RESPECTIVE PART NUMBER VS. DRAWING NUMBER WITHOUT THE "-ENV" SUFFIX.		SCALE B 2X		APP'D.		DATE		TITLE ADAPTOR TOOL FOR MIL-C-5015 CONNECTOR PLUGS ENVELOPE DRAWING	
DO NOT SCALE DRAWING		POSTING		CAD P/N		SHEET 1 OF 1		REV. 1	
		CM-S-5015S-ENV		CM-S-5015S-ENV					