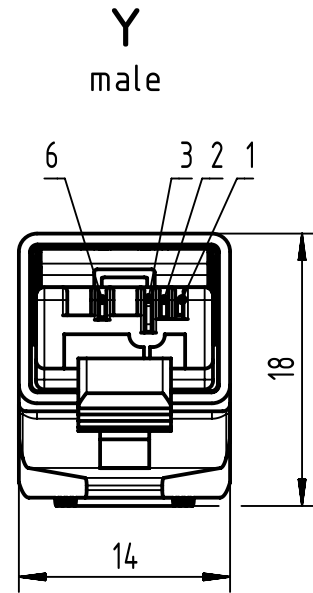
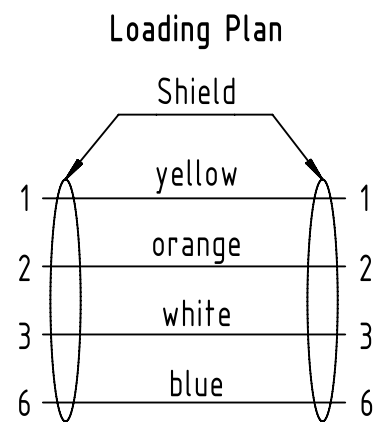
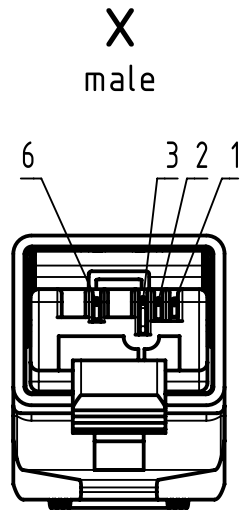
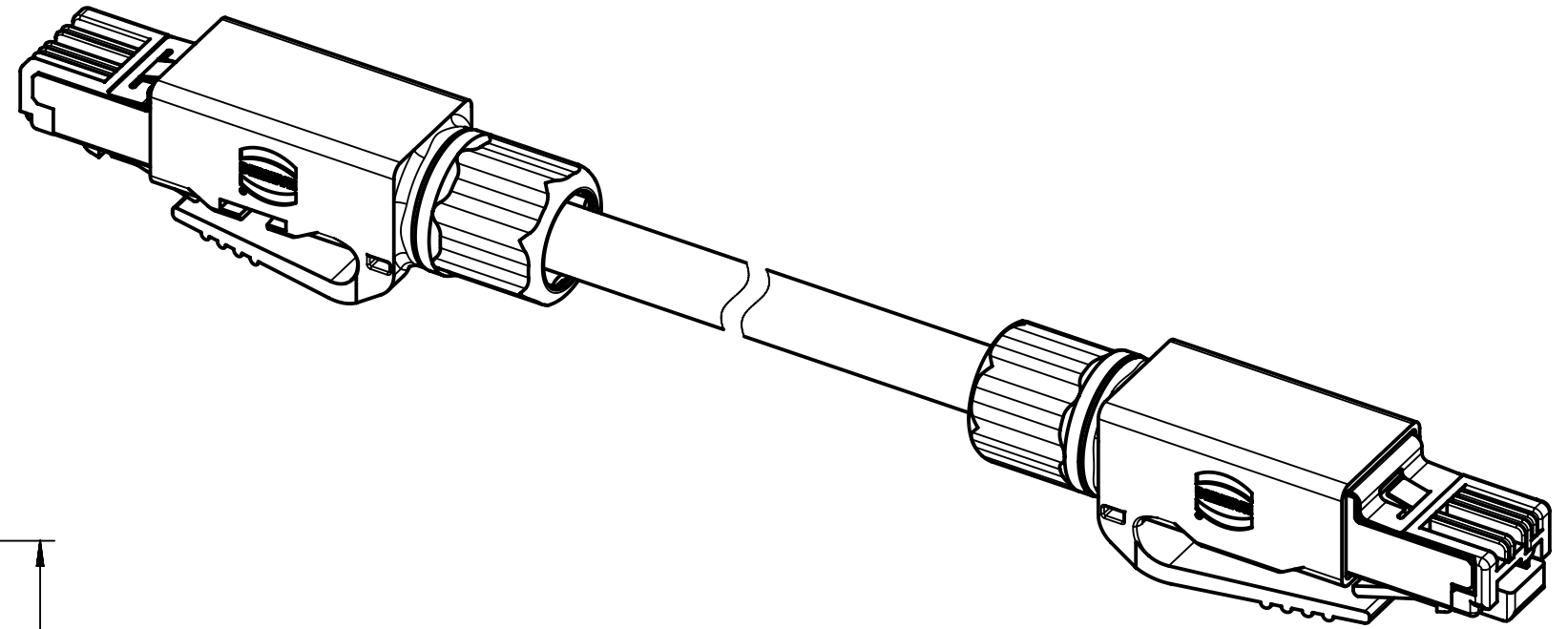
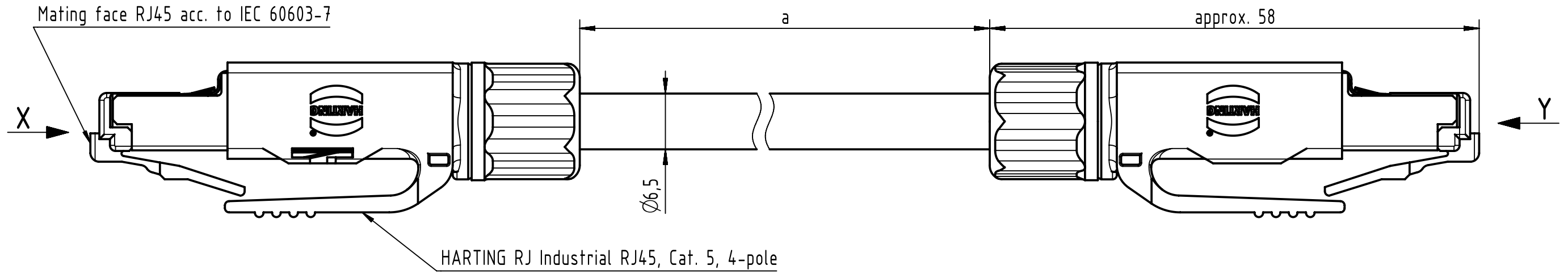





Connector Location A

Connector Location B



- Protection level: IP20
- Temperature range: -40°C ... +70°C

	All rights reserved Department HCS - RO HARTING Customised Solutions D-32339 Espelkamp	All Dimensions in mm	Tech. Character.	Free size tol.	According to production drawing
		Created by STOCHECIC Stocheci	Inspected by COSTEA Costea	Standardisation MUNTEANV Muntean	Date 2019-10-30
		Title RJ Industrial Cable Assembly			Doc-Key / ECM-Nr. 100081047/UGD/027/E 500000159777
		Type TB	Number 0945751YYYY		Rev. E
					Page 1/2

1	2	3	4	5	6	7	8																
RJ45 Ethernet Standard Cable, 4xAWG 22/1, PVC, Cat. 5+, green																							
44	09457511161		100																				
43	09457511160		90																				
42	09457511159		80																				
41	09457511158		70																				
40	09457511157		60																				
39	09457511156		50																				
38	09457511155		40																				
37	09457511154		30																				
36	09457511153		20																				
35	09457511152		15																				
34	09457511151		10																				
33	09457511131		9																				
32	09457511130		8																				
31	09457511129		7																				
30	09457511128		6																				
29	09457511127		5																				
28	09457511126		4																				
27	09457511125		3																				
26	09457511124		2																				
25	09457511123		1.5																				
24	09457511122		1																				
23	09457511121		0.5																				
RJ45 Ethernet Stranded Cable, 4xAWG 22/7, PVC, Cat. 5+, green																							
22	09457510061		100																				
21	09457510060		90																				
20	09457510059		80																				
19	09457510058		70																				
18	09457510057		60																				
17	09457510056		50																				
16	09457510055		40																				
15	09457510054		30																				
14	09457510053		20																				
13	09457510052		15																				
12	09457510051		10																				
11	09457510031		9																				
10	09457510030		8																				
9	09457510029		7																				
8	09457510028		6																				
7	09457510027		5																				
6	09457510026		4																				
5	09457510025		3																				
4	09457510024		2																				
3	09457510023		1.5																				
2	09457510022		1																				
1	09457510021		0.5																				
Cont. no.	Part no.	Type of cable	Dim. a[m]																				
RJ45 Ethernet Trailing Cable, 4xAWG 22/7, PUR, Cat. 5+, green																							
67	09457511183		100																				
66	09457511182		90																				
65	09457511181		80																				
64	09457511180		70																				
63	09457511179		60																				
62	09457511178		50																				
61	09457511177		40																				
60	09457511176		30																				
59	09457511175		20																				
58	09457511184		18																				
57	09457511174		15																				
56	09457511173		10																				
55	09457511172		9																				
54	09457511171		8																				
53	09457511170		7																				
52	09457511169		6																				
51	09457511168		5																				
50	09457511167		4																				
49	09457511166		3																				
48	09457511165		2																				
47	09457511164		1.5																				
46	09457511163		1																				
45	09457511162		0.5																				
Cont. no.	Part no.	Type of cable	Dim. a[m]																				
<table border="1" style="width: 100%; border-collapse: collapse;"> <tr> <td style="width: 15%; text-align: center;"></td> <td style="width: 20%;">All rights reserved Department HCS - RO</td> <td style="width: 15%;">Created by STOCHECIC Stochei</td> <td style="width: 10%;">Inspected by COSTEA Costea</td> <td style="width: 10%;">Standardisation MUNTEANV Muntean</td> <td style="width: 10%;">Date 2019-10-30</td> <td style="width: 10%;">State Final Release</td> <td style="width: 10%;">Doc-Key / ECM-Nr. 100081047/UGD/027/E 500000159777</td> </tr> <tr> <td colspan="2">HARTING Customised Solutions D-32339 Espelkamp</td> <td colspan="2">Title RJ Industrial Cable Assembly</td> <td>Type TB</td> <td colspan="2">Number 0945751YYYYY</td> <td>Rev. E Page 2/2</td> </tr> </table>									All rights reserved Department HCS - RO	Created by STOCHECIC Stochei	Inspected by COSTEA Costea	Standardisation MUNTEANV Muntean	Date 2019-10-30	State Final Release	Doc-Key / ECM-Nr. 100081047/UGD/027/E 500000159777	HARTING Customised Solutions D-32339 Espelkamp		Title RJ Industrial Cable Assembly		Type TB	Number 0945751YYYYY		Rev. E Page 2/2
	All rights reserved Department HCS - RO	Created by STOCHECIC Stochei	Inspected by COSTEA Costea	Standardisation MUNTEANV Muntean	Date 2019-10-30	State Final Release	Doc-Key / ECM-Nr. 100081047/UGD/027/E 500000159777																
HARTING Customised Solutions D-32339 Espelkamp		Title RJ Industrial Cable Assembly		Type TB	Number 0945751YYYYY		Rev. E Page 2/2																