

Product data sheet

Subminiature connectors

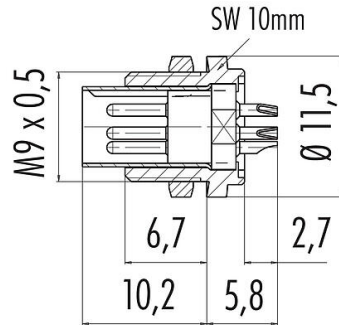


Product description	M9 IP40 Male panel mount connector, Contacts: 4, unshielded, solder, IP40
Area	M9 IP40 series 711
Part no.	09 0081 00 04

Illustration

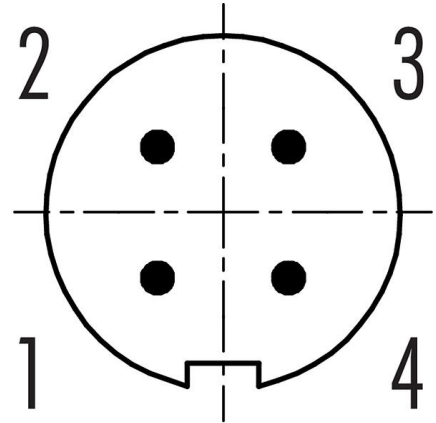


Scale drawing



max. wall thickness: 1,5 mm

Contact arrangement (Plug-in side)



You can find the component part drawing and assembly instructions on the next page.

Technical data

General features

Part no.	09 0081 00 04
Connector design	Male panel mount connector
Version	Connector pin straight
Connector locking system	screw
Termination	solder
Degree of protection	IP40
Cross-sectional area	0.25 mm ² / AWG 24
Temperature range from/to	-40 °C / 85 °C
Mechanical operation	> 500 Mating cycles
Weight (g)	3.71
Customs tariff number	85369010

Electrical parameters

Rated voltage	125 V
Rated impulse voltage	1500 V
Rated current (40 °C)	3,0 A
Insulation resistance	≥ 10 ¹⁰ Ω
Pollution degree	1
Overvoltage category	II
Insulating material group	III
EMC compliance	unshielded

Product data sheet

Subminiature connectors



Product description	M9 IP40 Male panel mount connector, Contacts: 4, unshielded, solder, IP40
-	-
Area	M9 IP40 series 711
Part no.	09 0081 00 04

Material

Contact body material	PA (UL94 V-0)
Contact material	CuZn (brass)
Contact plating	Au (gold)
REACH SVHC	CAS 7439-92-1 (Lead)
SCIP number	2ef4d2c6-43e9-4309-8a94-3b9ac7514f1f

Classifications

eCl@ss 11.1	27-44-01-09
ETIM 7.0	EC003569

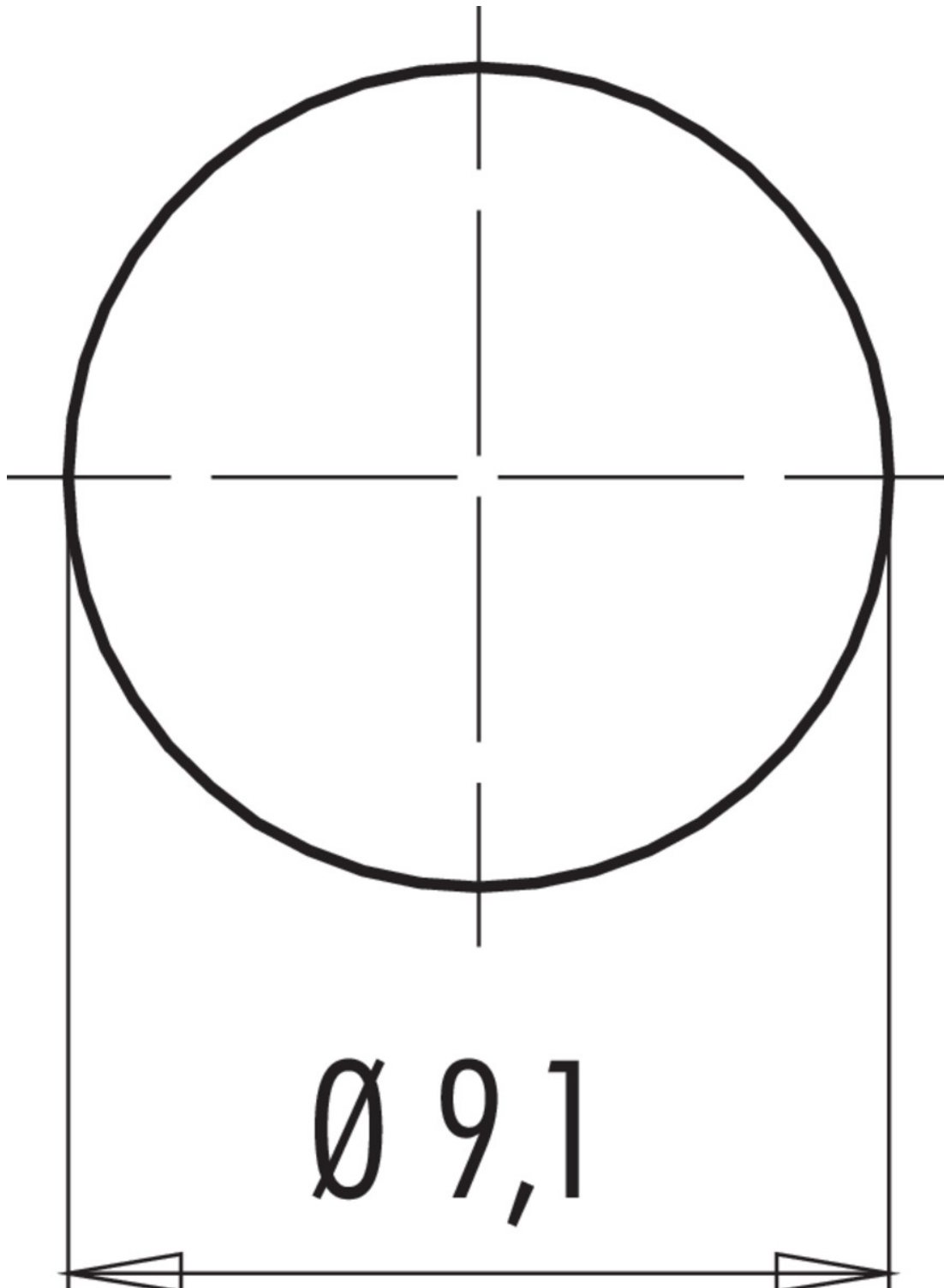
Product data sheet
Subminiature connectors



Product description	M9 IP40 Male panel mount connector, Contacts: 4, unshielded, solder, IP40
-	-
Area	M9 IP40 series 711
Part no.	09 0081 00 04

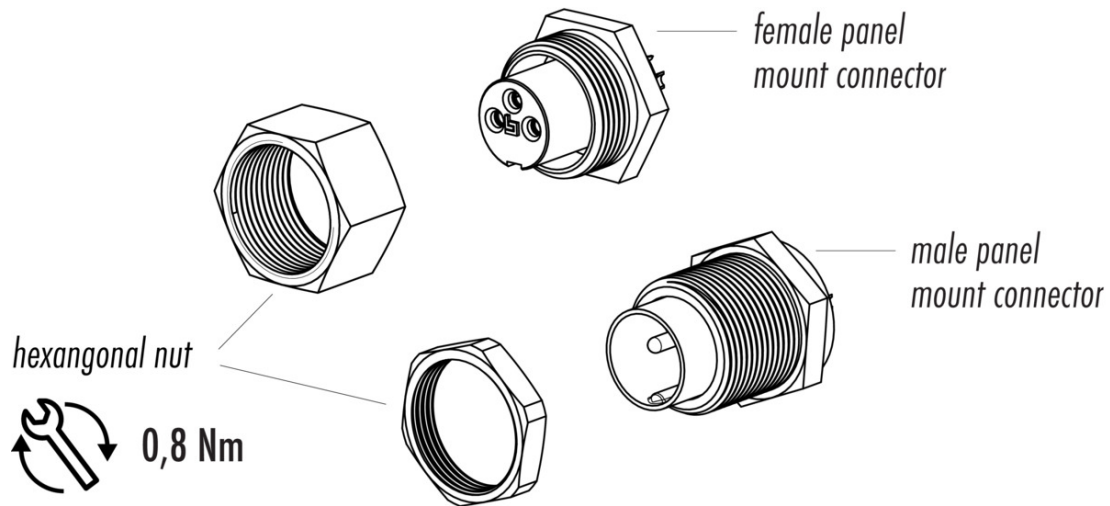
Product description	M9 IP40 Male panel mount connector, Contacts: 4, unshielded, solder, IP40
-	-
Area	M9 IP40 series 711
Part no.	09 0081 00 04

Assembly instructions / Panel cut-out



Product description	M9 IP40 Male panel mount connector, Contacts: 4, unshielded, solder, IP40
-	-
Area	M9 IP40 series 711
Part no.	09 0081 00 04

Component part drawing



Product description	M9 IP40 Male panel mount connector, Contacts: 4, unshielded, solder, IP40
-	-
Area	M9 IP40 series 711
Part no.	09 0081 00 04

General Disclaim Notice

The connector must not be plugged or unplugged under load. Non-observance and improper use can result in personal injury.

The connectors have been developed for applications in plant engineering, control and electrical equipment construction. The user is responsible for checking whether the connectors can also be used in other areas of application.