

# Product data sheet

## Miniature connectors

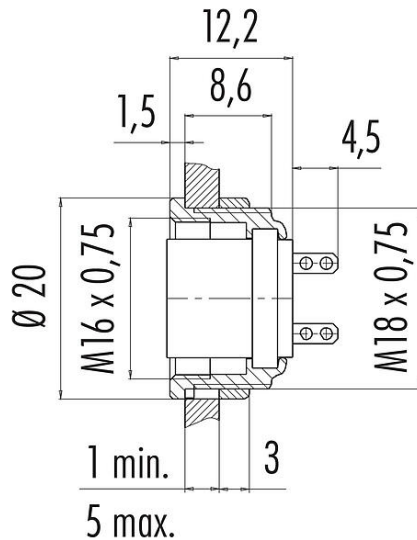


Product description	M16 IP40 Female panel mount connector, Contacts: 8 (08-a), unshielded, solder, IP40
Area	M16 IP40 series 680
Part no.	09 0474 00 08

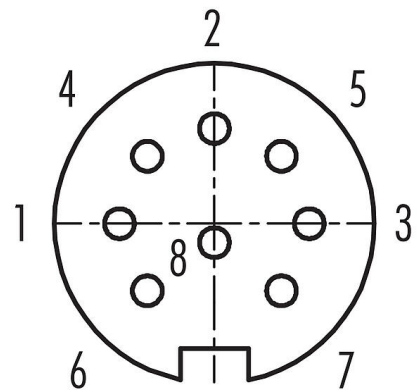
### Illustration



### Scale drawing



### Contact arrangement (Plug-in side)



You can find the component part drawing and assembly instructions on the next page.

### Technical data

#### General features

Part no.	<b>09 0474 00 08</b>
Connector design	Female panel mount connector
Version	Connector socket straight
Connector locking system	screw
Termination	solder
Degree of protection	IP40
Cross-sectional area	0.75 mm <sup>2</sup> / AWG 18
Temperature range from/to	-40 °C / 85 °C
Mechanical operation	> 500 Mating cycles
Weight (g)	9.16
Customs tariff number	85369010

#### Electrical parameters

Rated voltage	60 V
Rated impulse voltage	500 V
Rated current (40 °C)	5.0 A
Insulation resistance	≥ 10 <sup>10</sup> Ω
Pollution degree	1
Overtoltage category	I
Insulating material group	III
EMC compliance	unshielded

# Product data sheet

## Miniature connectors



Product description	<b>M16 IP40 Female panel mount connector, Contacts: 8 (08-a), unshielded, solder, IP40</b>
-	-
Area	<b>M16 IP40 series 680</b>
Part no.	<b>09 0474 00 08</b>

### Material

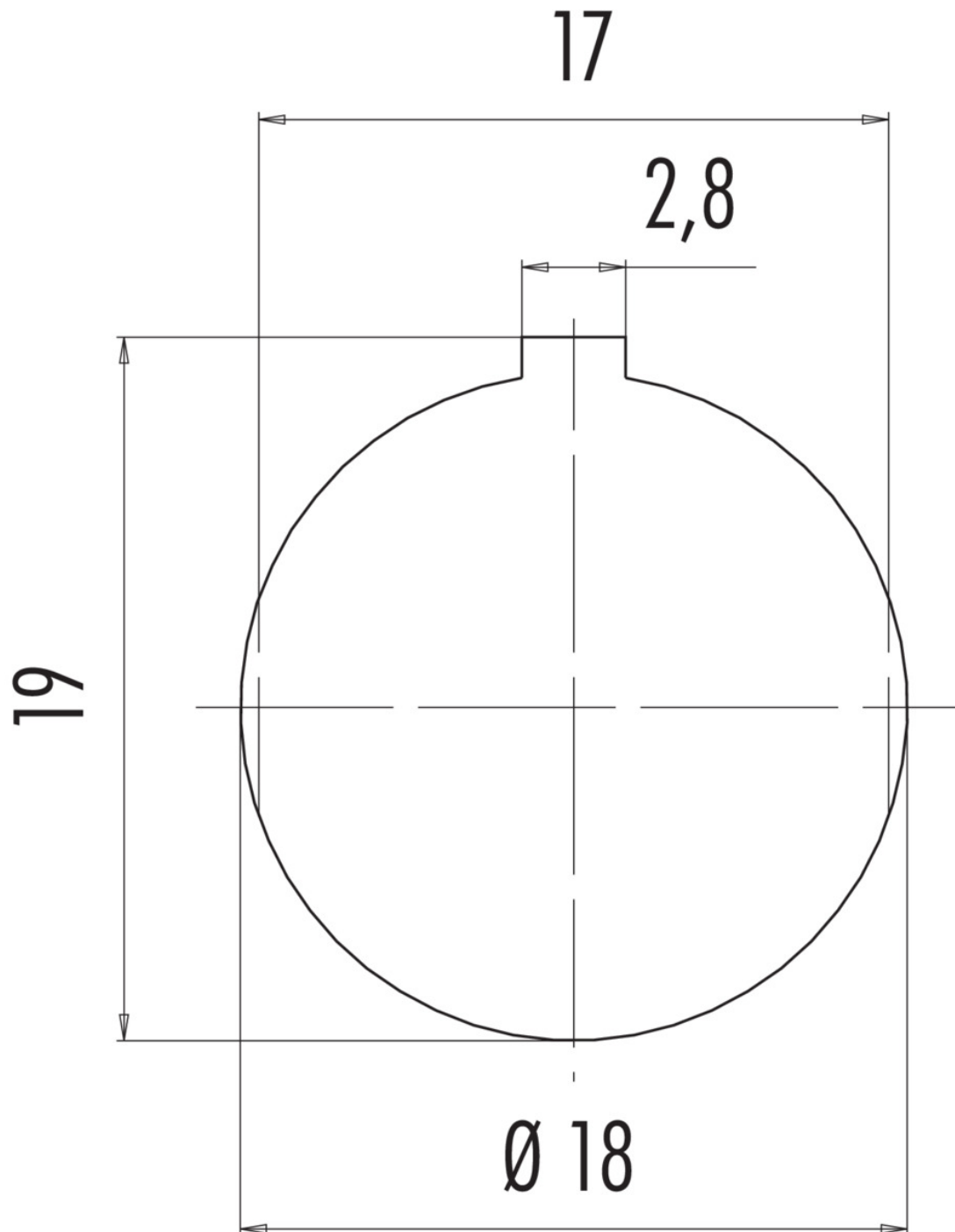
Housing material	Zinc die-cast nickel-plated
Contact body material	PBT (UL94 V-0)
Contact material	CuSn (bronze)
Contact plating	Ag (silver)
REACH SVHC	CAS 7439-92-1 (Lead)
SCIP number	8aa4c741-fb09-4012-9b72-71a7870676b5

### Classifications

eCl@ss 11.1	27-44-01-09
ETIM 7.0	EC003569

Product description	M16 IP40 Female panel mount connector, Contacts: 8 (08-a), unshielded, solder, IP40
Area	M16 IP40 series 680
Part no.	09 0474 00 08

Assembly instructions / Panel cut-out



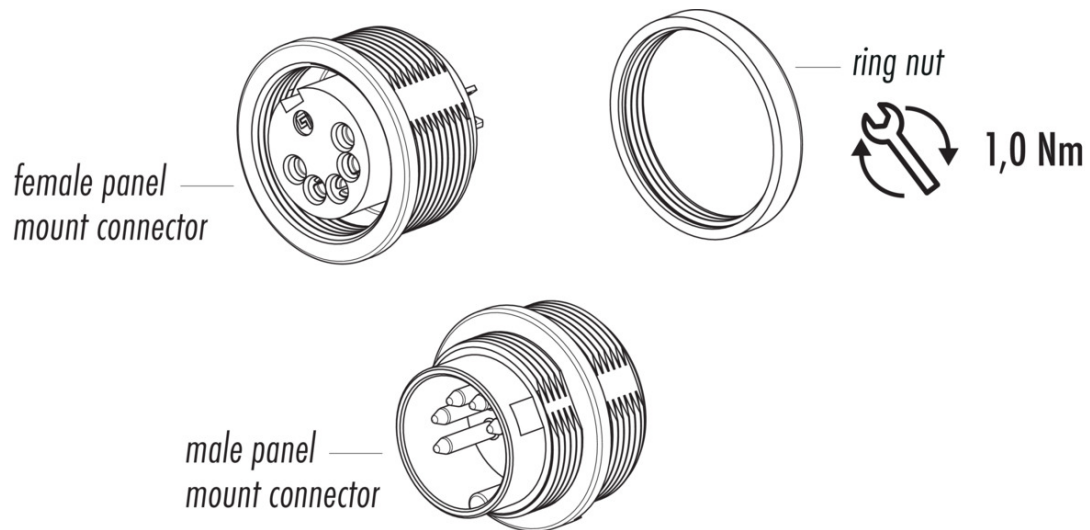
# Product data sheet

## Miniature connectors



Product description	<b>M16 IP40 Female panel mount connector, Contacts: 8 (08-a), unshielded, solder, IP40</b>
-	-
Area	<b>M16 IP40 series 680</b>
Part no.	<b>09 0474 00 08</b>

### Component part drawing



# Product data sheet

## Miniature connectors



Product description	<b>M16 IP40 Female panel mount connector, Contacts: 8 (08-a), unshielded, solder, IP40</b>
-	-
Area	<b>M16 IP40 series 680</b>
Part no.	<b>09 0474 00 08</b>

### General Disclaim Notice

The connector must not be plugged or unplugged under load. Non-observance and improper use can result in personal injury.

The connectors have been developed for applications in plant engineering, control and electrical equipment construction. The user is responsible for checking whether the connectors can also be used in other areas of application.