

Product data sheet

Miniature connectors

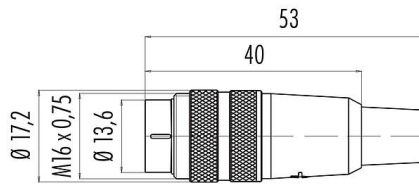


Product description	Male cable connector, Contacts: 8 (08-a), 6.0-8.0 mm, unshielded, solder, IP40
Area	series 680
Part no.	09 0571 02 08

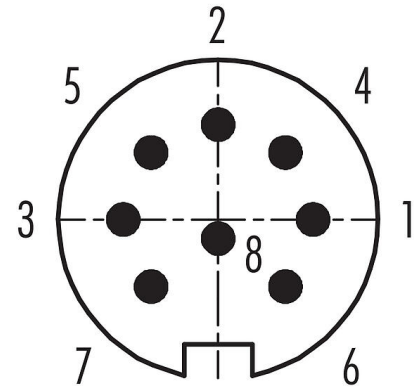
Illustration



Scale drawing



Contact arrangement (Plug-in side)



You can find the assembly instructions on the next page.

Technical data

General features

Part no.	09 0571 02 08
Connector design	Male cable connector
Type standard	DIN EN 61076-2-106
Version	Connector pin straight
Connector locking system	screw
Termination	solder
Degree of protection	IP40
Cross-sectional area	0.75 mm ² / AWG 18
Cable outlet	6.0-8.0 mm
Temperature range from/to	-40 °C / 85 °C
Mechanical operation	> 500 Mating cycles
Weight (g)	18.90
Customs tariff number	85369010

Electrical parameters

Rated voltage	60 V
Rated impulse voltage	500 V
Rated current (40 °C)	5.0 A
Insulation resistance	≥ 10 ¹⁰ Ω
Pollution degree	1
Overvoltage category	I
Insulating material group	III
EMC compliance	unshielded

Material

Housing material	PA
------------------	----

Product data sheet

Miniature connectors



Product description **Male cable connector, Contacts: 8 (08-a), 6.0-8.0 mm, unshielded, solder, IP40**
-
Area **series 680**
Part no. **09 0571 02 08**

Contact body material PBT (UL94 V-0)
Contact material CuZn (brass)
Contact plating Ag (silver)
REACH SVHC CAS 7439-92-1 (Lead)
SCIP number dff821de-6e40-4482-b833-98d02acfa07c

Classifications

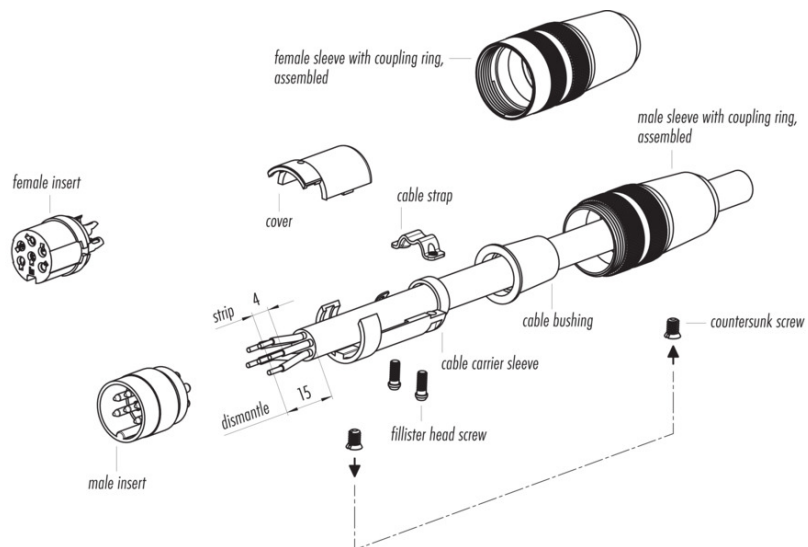
eCl@ss 11.1 27-44-01-09
ETIM 9.0 EC003569

Declarations of conformity

Low Voltage Directive 2014/35/EU (EN 60204-1:2018;EN 60529:1991)

Assembly instructions

1. Bead cable carrier sleeve, cable bushing and sleeve with coupling ring to cable.
2. Dismantle cable to 15 mm length.
3. Strip and solder single wires.
4. If necessary, twist shield and solder to solder eye.
5. Place the cover on the cable carrier sleeve and fasten the cable strap with fillister head screws.
6. Push assembled part with contact insert into the sleeve and fasten with countersunk screw.



Product data sheet

Miniature connectors



Product description	Male cable connector, Contacts: 8 (08-a), 6.0-8.0 mm, unshielded, solder, IP40
-	-
Area	series 680
Part no.	09 0571 02 08

General Disclaim Notice

The connectors have been developed for applications in plant engineering, control and electrical equipment construction. The user is responsible for checking whether the connectors can also be used in other areas of application.

To lock the cable connector with the device connector, the threaded ring is tightened "hand-tight" (approx. 50 cNm).