



Part Number : [1731120071](#)

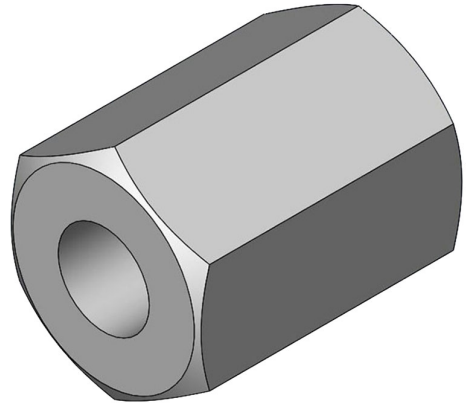
Product Description : FCT Female Standoff Hex Nut for Cable to Cable Connections, #4-40 Thread, 6.20mm Height, Zinc-plated Steel

Series Number : 173112

Status : Active

Product Category : D-Sub Accessories

Engineering Number : F1066



Product Environment Compliance

Compliance

GADSL/IMDS	Compliant with Exemption 69
China RoHS	
EU ELV	Not Relevant
Low-Halogen Status	Not Reviewed per IEC 61249-2-21
REACH SVHC	Not Contained per D(2024)4144-DC (27 June 2024)
EU RoHS	Compliant per EU 2015/863

Multiple Part Product Compliance Statements

- Eu RoHS
- REACH SVHC
- Low-Halogen

Multiple Part Industry Compliance Documents

- IPC 1752A Class C
- IPC 1752A Class D
- Molex Product Compliance Declaration
- IEC-62474
- chemSHERPA (xml)

EU RoHS Certificate of Compliance

Part Details

General

Status	Active
Category	D-Sub Accessories
Series	173112
Description	FCT Female Standoff Hex Nut for Cable to Cable Connections, #4-40 Thread, 6.20mm Height, Zinc-plated Steel
IP Rating	N/A
Magnetic	Yes
Product Name	FCT Products
Type	Backshell
UPC	889056323918

Physical

Accessory Type	Locking Mechanism
Material - Body	Steel
Net Weight	0.600/g
Packaging Type	Bag
Thread Size	4-40 UNC
Thread Type	Standard