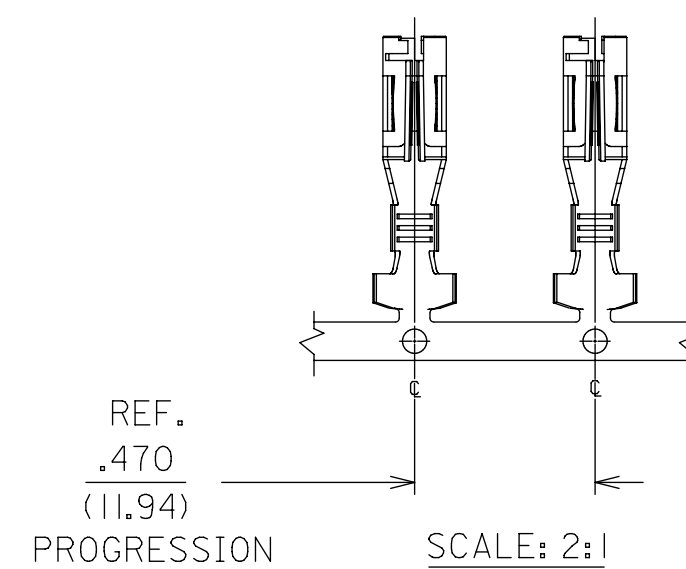


SMALL INSULATION CRIMP



NOTES:

1. MATERIAL: .012/(0.30) THICK C26000 BRASS.
2. FINISH: HOT TIN DIP.
3. PRODUCT SPECIFICATION: PS-44441-9999.
4. PACKAGING SPECIFICATION: 433750000-PK
5. FOR USE IN 44441 SERIES HOUSINGS.
6. SINGLE CRIMP TO #16 & #14 AWG WIRE WITH .031"/(0.79) MAXIMUM INSULATION THICKNESS.
7. NO PORTION OF ONE LOCK TANG BEAM SHALL TOUCH ANY PORTION OF THE OTHER LOCK TANG BEAM.
8. PARTS CONFORM TO CLASS 'B' REQUIREMENTS OF PS-45499-002.

SYMBOLS	THIS DRAWING CONTAINS INFORMATION THAT IS PROPRIETARY TO MOLEX ELECTRONIC TECHNOLOGIES, LLC AND SHOULD NOT BE USED WITHOUT WRITTEN PERMISSION			
	DIMENSION UNITS	SCALE		CURRENT REV DESC: ADD PK SPEC
▽ = 0	IN/MM	10:1		molex TERMINAL, RECEPTACLE .125/(3.18) X .020/(.51) FLAT BLADE SYSTEM - TPA PRODUCT CUSTOMER DRAWING
▽ = 0	GENERAL TOLERANCES (UNLESS SPECIFIED)			
▽ = 0		MM	INCH	
▽ = 0	4 PLACES	±	±	
▽ = 0	3 PLACES	±	± 0.005	EC NO: 617584
▽ = 0	2 PLACES	± 0.13	± 0.01	DRWN: JEHRISMAN 2019/04/02
▽ = 0	1 PLACE	± 0.25	±	CHK'D: MKIPPER 2019/06/13
▽ = 0	0 PLACES	±	±	APPR: FSMITH 2019/06/18
▽ = 0	ANGULAR TOL	± 0.5 °		INITIAL REVISION:
▽ = 0	DRAFT WHERE APPLICABLE MUST REMAIN WITHIN DIMENSIONS			DRWN: MAB 1994/05/08
▽ = 0	THIRD ANGLE PROJECTION			APPR: RAS 1994/05/08
▽ = 0	DRAWING SERIES			MATERIAL NUMBER
	C-SIZE 43375			CUSTOMER
				SHEET NUMBER
				1 OF 1