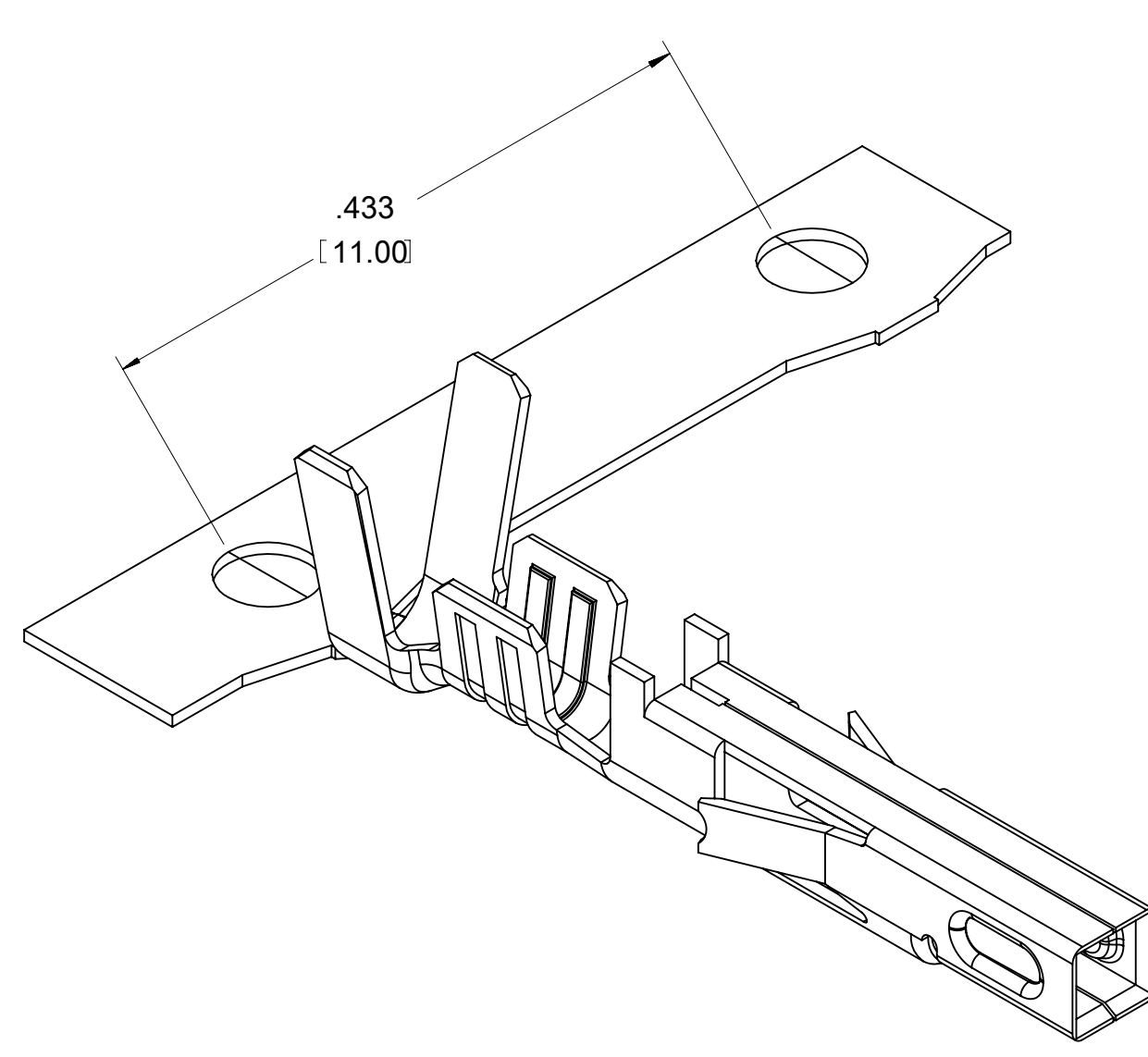
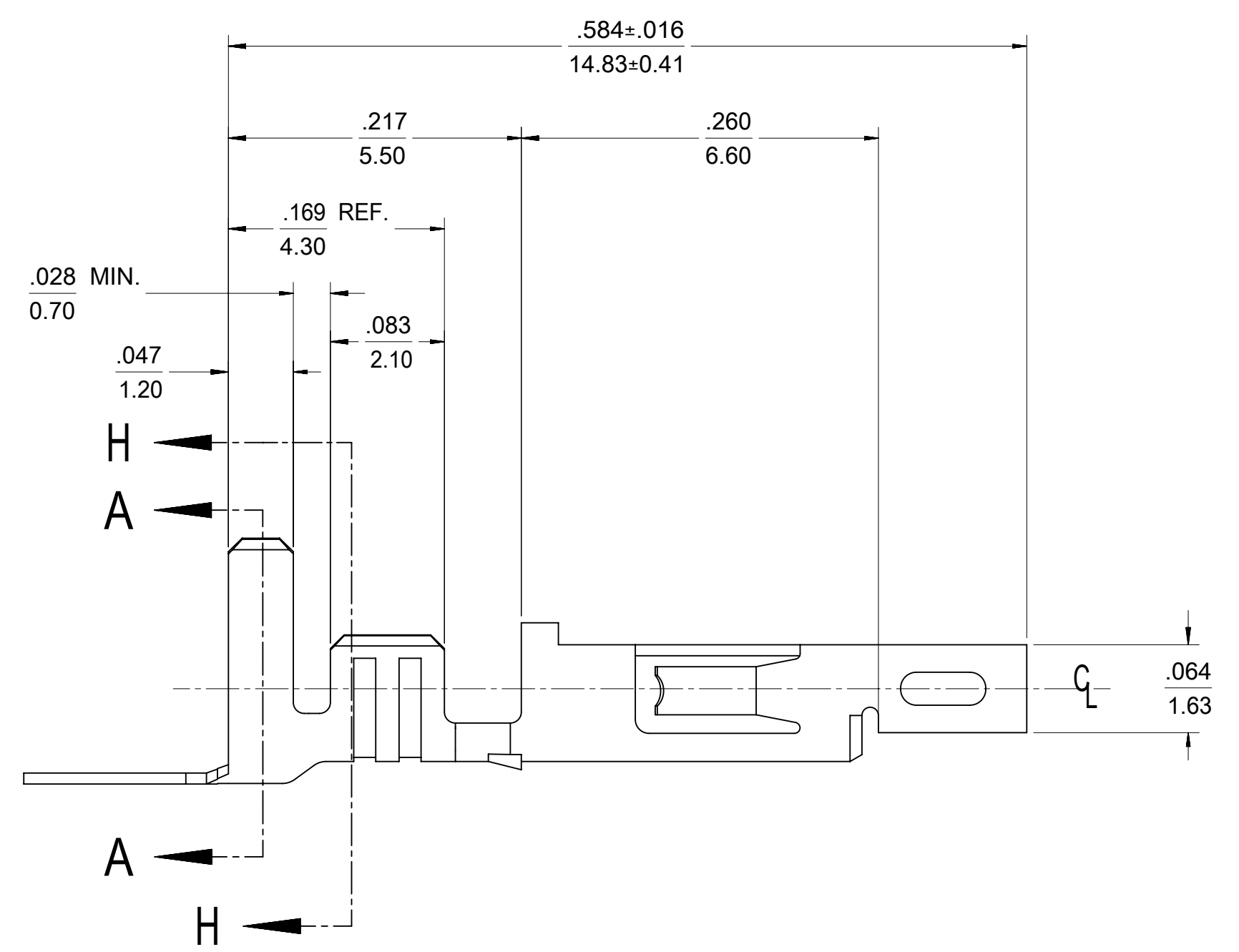
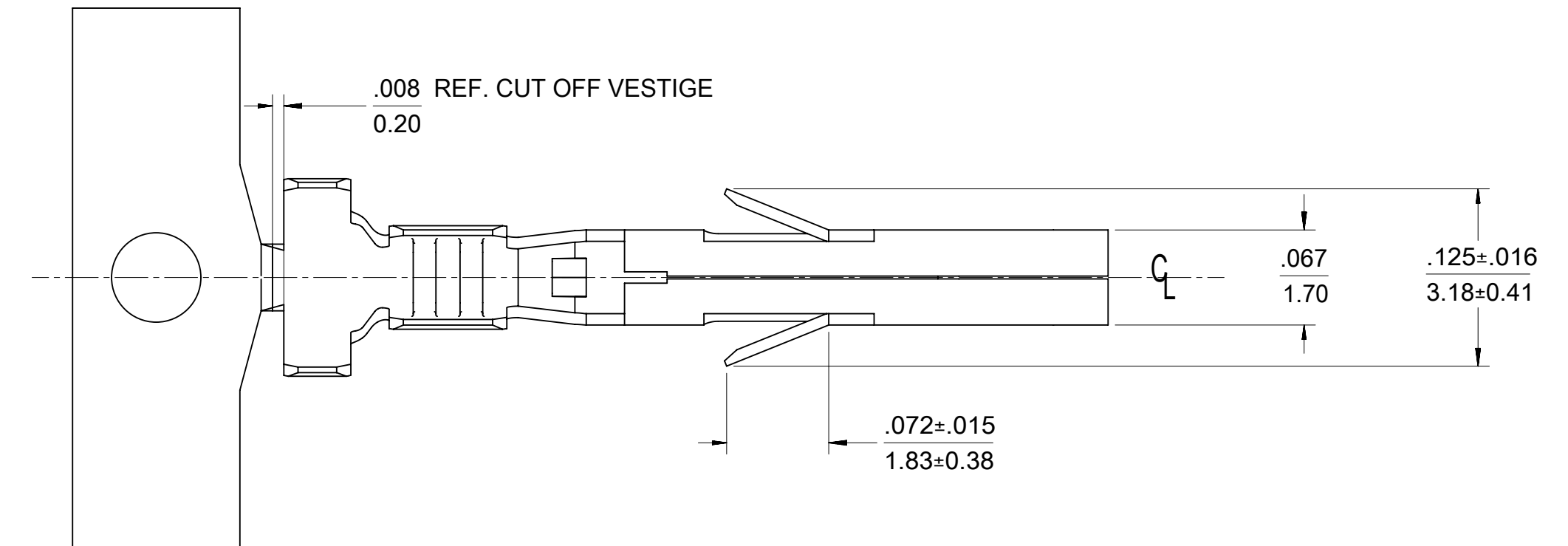


ITEM NO.	FORM	WIRE GAGE	DIM "B"	DIM "C"	DIM "D"	DIM "E"	DIM "F"	DIM "G"	PLATING: SEE NOTE 2
457501111	CHAIN	18-20	.142±.012 (3.60±0.30)	.177±.016 (4.50±0.40)	.035±.016 (0.90±0.40)	.075±.012 (1.90±0.30)	.091±.016 (2.30±0.40)	.020 (0.50)	1 TIN OVER NICKEL
457501112	LOOSE								
457503111	CHAIN	16	.142±.012 (3.60±0.30)	.177±.016 (4.50±0.40)	.035±.016 (0.90±0.40)	.091±.012 (2.30±0.30)	.106±.016 (2.70±0.40)	.024 (0.60)	2 SELECT GOLD OVER NICKEL
457503112	LOOSE								
457501211	CHAIN	18-20	.142±.012 (3.60±0.30)	.177±.016 (4.50±0.40)	.035±.016 (0.90±0.40)	.075±.012 (1.90±0.30)	.091±.016 (2.30±0.40)	.020 (0.50)	2 SELECT GOLD OVER NICKEL
457501212	LOOSE								
457503211	CHAIN	16	.142±.012 (3.60±0.30)	.177±.016 (4.50±0.40)	.035±.016 (0.90±0.40)	.091±.012 (2.30±0.30)	.106±.016 (2.70±0.40)	.024 (0.60)	2 SELECT GOLD OVER NICKEL
457503212	LOOSE								
457502211	CHAIN	22-24	.091±.012 (2.30±0.30)	.091±.016 (2.30±0.40)	.024±.016 (0.60±0.40)	.071±.012 (1.80±0.30)	.065±.016 (1.65±0.40)	.016 (0.40)	2 SELECT GOLD OVER NICKEL



- NOTES:
- MATERIAL: COPPER ALLOY .0080/(0.203) THICK
 - FINISH:
 - .000100/(0.00254) MIN. BRIGHT TIN OVER .000050/(0.00127) MIN NICKEL OVERALL.
 - .000030/(0.00076) MIN. SELECT GOLD IN CONTACT AREA AND .000100/(0.00254) MIN. SELECT MATTE TIN IN CRIMP AREA OVER .000050/(0.00127) MIN. NICKEL OVERALL.

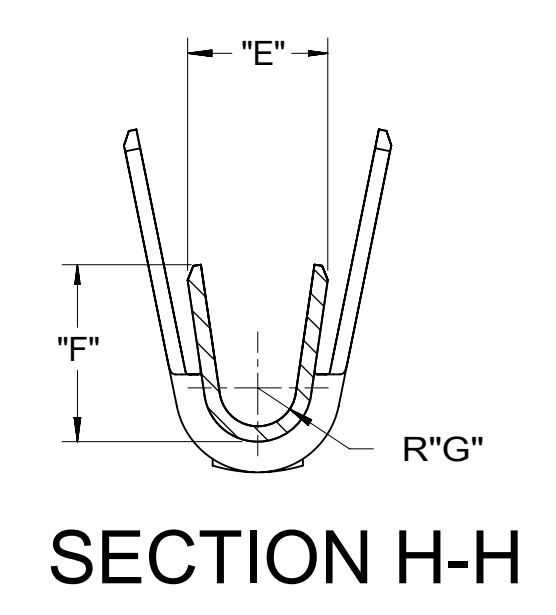
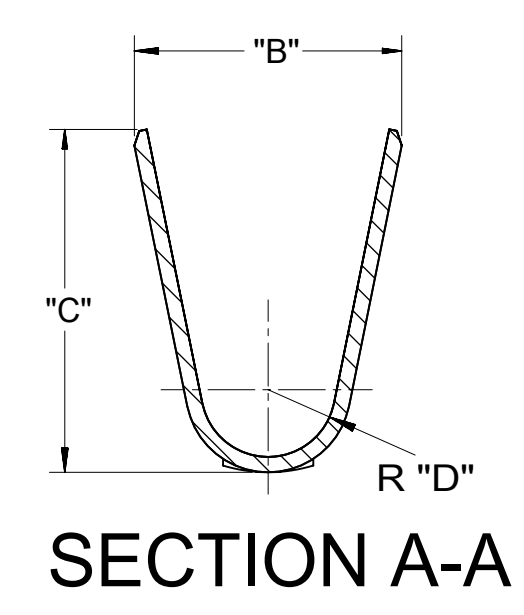
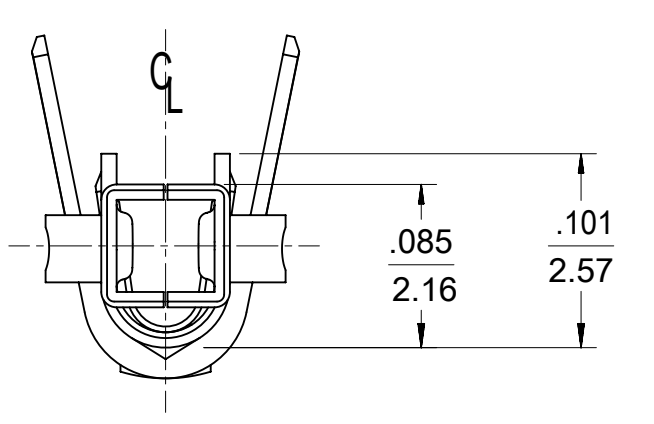
GOLD PLATING RECOMMENDED FOR APPLICATIONS WHERE FRETTING CORROSION IS A CONCERN.
 - PRODUCT SPECIFICATION: PS-45750-001
 - PACKAGING SPECIFICATION : 55560001-PK FOR CHAIN TERMINALS
PK-5556-003 FOR LOOSE TERMINALS
 - TERMINAL FOR USE WITH 5557, 42474, 44516, 43760, AND 30067 SERIES HOUSINGS.
 - WHEN TERMINALS ARE INSTALLED IN THE HOUSING, THE WIRES ARE TO BE DRESSED IN SUCH A MANNER TO ALLOW THE TERMINALS TO FLOAT FREELY IN THE POCKET.
 - THIS TERMINAL IS DESIGNED FOR SINGLE WIRE CRIMPING.
 - TEXT ON PART IS FOR REFERENCE ONLY. TEXT AND TEXT LOCATION MAY VARY DEPENDING ON PART NUMBER AND/OR TOOL.



LEGEND

457501***

- BASE NUMBER
- FORM
1 = CHAIN
2 = LOOSE
- WIRE GAGE
1 = 18-20
2 = 22-24
3 = 16
- PLATING (SEE NOTE 2)
1 = TIN OVER NICKEL
2 = SELECT GOLD



THIS DRAWING CONTAINS INFORMATION THAT IS PROPRIETARY TO MOLEX ELECTRONIC TECHNOLOGIES, LLC AND SHOULD NOT BE USED WITHOUT WRITTEN PERMISSION									
DIMENSION UNITS HYBRID		SCALE NTS		CURRENT REV DESC:				molex	
GENERAL TOLERANCES (UNLESS SPECIFIED)				EC NO: 697654 DRWN: HPAN18 CHK'D: XQZHANG APPR: XQZHANG					
		MM	INCH	INITIAL REVISION:				DOCUMENT NUMBER	
4 PLACES	±	±		2022/03/01				SD-45750-001	
3 PLACES	±	± 0.01		2022/03/08				PSD 001 G6	
2 PLACES	±	0.25	± 0.014	2022/03/08				DOC TYPE DOC PART REVISION	
1 PLACE	±	0.36	±	2004/01/30					
0 PLACES	±	±		2004/02/05					
ANGULAR TOL		± 0.5 °		DRWN: SML APPR: AP					
DRAFT WHERE APPLICABLE MUST REMAIN WITHIN DIMENSIONS		THIRD ANGLE PROJECTION		DRAWING		SERIES		MATERIAL NUMBER	
		D-SIZE		45750		SEE CHART		CUSTOMER	
						GENERAL MARKET		SHEET NUMBER	
								1 OF 1	