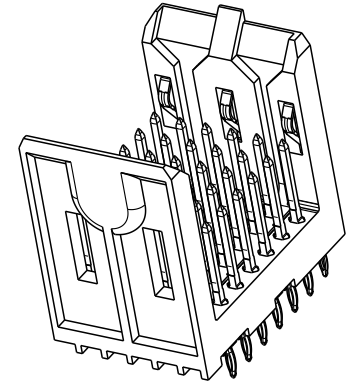
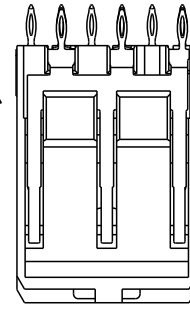
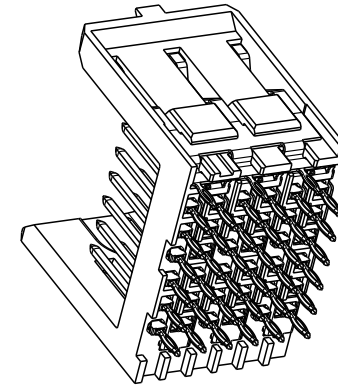
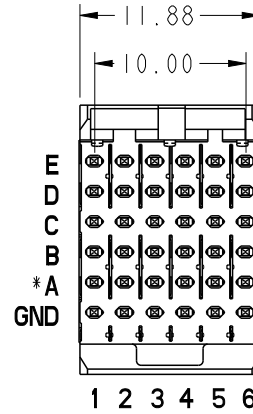
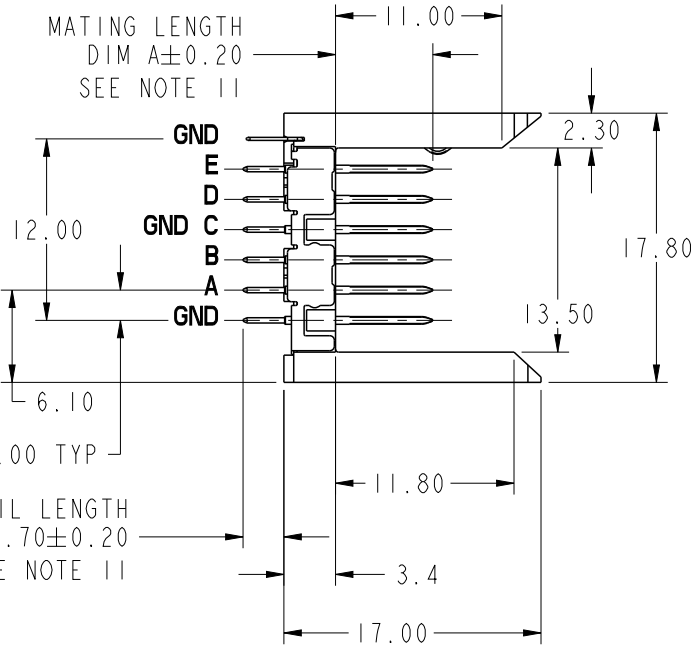


PRODUCT NUMBER

55003-X 01 ZZZ (L) LF
 "LEAD FREE"
 L REFER LUBRICATION (OPTIONAL) SEE NOTE 2
 SPECIAL LOAD PATTERN
 SEE SHEET 5
 SIZE (1 MOD)
 X REFER PLATING PERFORMANCE LEVEL
 SEE NOTE 2
 BASE NUMBER



MATING LENGTH
 DIM A ±0.20
 SEE NOTE 11




***ROW C INFORMATION**

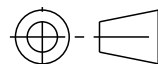
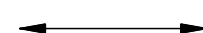
ODD NUMBER COLUMNS WITHIN ROW C ARE COMMONED TO GROUND INTERNALLY WITHIN THE HOUSING. THE EVEN NUMBER COLUMNS WITHIN ROW C ARE NOT. FOR MAXIMUM PERFORMANCE IT IS RECOMMENDED THESE EVEN COLUMNS BE GROUND COMMONED WITHIN PCB. SEE NOTE 10

spec ref -		dr P-Mathew Nebu 2011/05/20		projection 	MM 	size A4	scale 2:1
tolerance std ISO 406 ISO 1101		eng Kartha, Aravin 2021/09/23				ecn no ELX-I-42424-1	
TOLERANCES UNLESS OTHERWISE SPECIFIED		chr -				rel level Released	
surface ISO 1302		linear	0.X ±0.3 0.XX ±0.13 0.XXX ±0.051	product family METRAL 4000		rev	
		angular	0° ±2°	www.fci.com		55003	
		title VERTICAL SIGNAL HDR 5 ROW P.F. 30 POS. SPECIAL LOAD STD.		cat. no.		Product - Customer Drw	
						sheet 1 of 4	

Creo F.14:ELX-FCI-AC, REV F, 2020-12-21

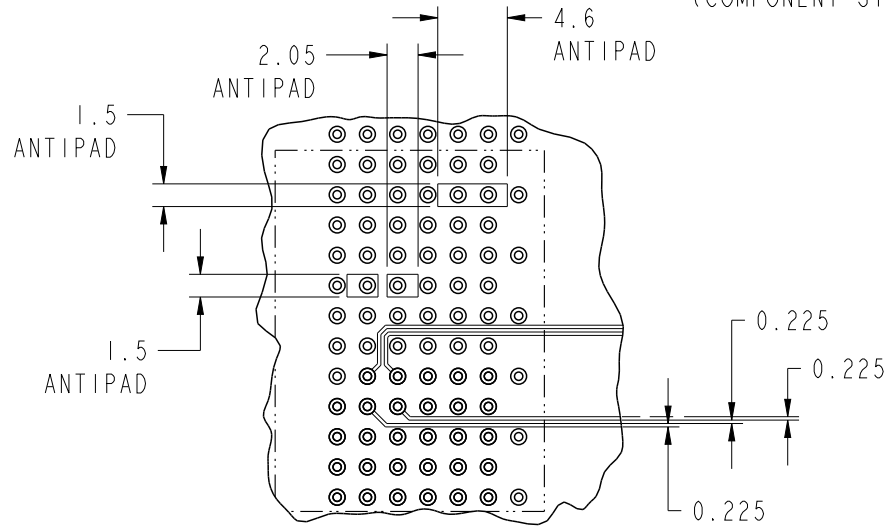
NOTES:

1. MATERIAL : BODY : LCP UL94-V0.
: CONTACT : COPPER ALLOY
2. FOR PLATING PERFORMANCE REFER DRAWING # 10159408.
3. SEE APPLICATION SPECIFICATION GS-20-014 FOR INFORMATION ON AVAILABLE TOOLING, CIRCUIT BOARD DESIGN CONSIDERATIONS, REPAIR PROCEDURES AND PRODUCT OFFERINGS. SEE PRODUCT SPECIFICATION GS-12-184.
4. UNLESS OTHERWISE SPECIFIED, ALL DIMENSIONS AND TOLERANCES ARE IN ACCORDANCE WITH ASME Y14.5, 1994
5. DIMENSIONAL RESTRICTIONS OF PINS IN HEADERS.
FOR USE WITH METRAL 4000 RECEPTACLES.
DIM A : 5.00mm MIN, 6.50mm MAX FOR ROWS A,B,D,E
DIM A : 5.00mm MIN, 8.00mm MAX FOR ROWS C
DIM A : 5.00mm MIN, 5.75mm MAX FOR ROWS GND
FOR USE WITH METRAL 1000 RECEPTACLES
DIM A : 5.00mm MIN, 8.00mm MAX FOR ROWS A,B,C,D,E
DIM A : 5.00mm MIN, 5.75mm MAX FOR ROW GND
6. THE MIN PCB THICKNESS FOR FRONT PLUG-UP APPLICATIONS IS 1.6mm.
7. THE 'CONNECTOR OUTLINE' IS THE MIN OUTLINE REQUIRED. TO DETERMINE THE OUTLINE NECESSARY TO PERMIT THE VARIOUS TYPES OF REPAIR OPERATIONS, SEE APPLICATION SPECIFICATION GS-20-010.
8. TEMPERATURE RANGE : -55°C TO +105°C
9. AVOID TRACES ON TOP OF BOARD DUE TO EXPOSED GROUND SHIELD.
10. FOR FRONT PLUG-UP APPLICATIONS, THE EVEN NUMBERED PINS IN ROW "C" CAN BE USED FOR POWER AS WELL AS FOR GROUND. IF THE SURROUNDING PINS ARE NOT USED FOR POWER, THEN EACH PIN CAN CARRY 3 AMPS. IF THE SURROUNDING PINS ARE USED FOR POWER, THEN EACH PIN CAN CARRY 1 AMP. WHEN THE SURROUNDING PINS ARE USED ONLY FOR LOW SPEED SIGNALS, THEN THE EVEN NUMBERED "C" ROW PINS CAN ALSO BE USED FOR LOW SPEED SIGNALS.
11. AFTER INSERTION INTO, CIRCUIT BOARD WITH QUALIFIED TOOL.
12. PRODUCTS MEET EUROPEAN UNION DIRECTIVES AND OTHER COUNTRY REGULATIONS AS DESCRIBED IN GS-47-0004.
13. ALL PRODUCTS WILL WITHSTAND EXPOSURE TO 260°C FOR 60 SECONDS IN A CONVECTION, INFRA-RED OR VAPOR PHASE REFLOW OVEN.
14. A  SYMBOL WILL BE NEXT TO ANY DIMENSION, VIEW, OR NOTE WHICH HAS BEEN MODIFIED WITH THE CURRENT DRAWING REVISION.

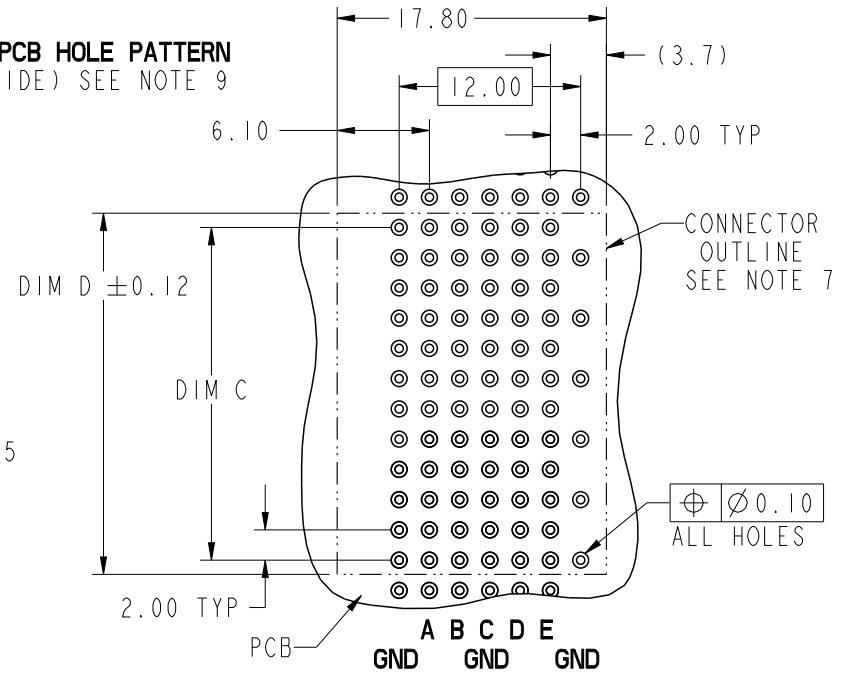
spec ref		-		dr	P-Mathew Nebu	2011/05/20	projection 	MM 	size	A4	scale	2:1
tolerance std		TOLERANCES UNLESS OTHERWISE SPECIFIED		eng	Kartha, Aravin	2021/09/23			ecn no	ELX-I-42424-1		
ISO 406 ISO 1101				chr	-	-			rel level	Released		
surface		linear	0.X	±0.3	Amphenol FCi	title	VERTICAL SIGNAL HDR 5 ROW P.F. 30 POS. SPECIAL LOAD STD.	dwg no	55003	rev	P	
ISO 1302			angular	0.XX								±0.13
				0.XXX								±0.051
			0°	±2°	www.fci.com	cat. no.	Product - Customer Drw		sheet 2 of 4			

PRODUCT NUMBER
SEE SHEETS 1, 2, 4

PRESS-FIT HOLES	OPTION 1 SnPb PLATING	OPTION 2 Sn PLATING	OPTION 3 COPPER	OPTION 4 IMMERSION Ag
FINISHED HOLE DIAMETER	0.45-0.55	0.46-0.55	0.48-0.57	0.48-0.57
DRILLED HOLE SIZE	0.60±0.02	0.60±0.02	0.60±0.02	0.60±0.02
COPPER PLATING THICKNESS	0.025 MIN-0.050 MAX.	0.025 MIN-0.050 MAX.	0.025 MIN-0.050 MAX.	0.025 MIN-0.050 MAX.
HOLE PLATING	0.005-0.015 SnPb	0.0008-0.0012 Sn	NONE	.0002 - .0006 Ag



RECOMMENDED PCB HOLE PATTERN
(COMPONENT SIDE) SEE NOTE 9



RECOMMENDED TRACK AND ANTIPAD DIMENSIONS
SCALE 2:1

spec ref	-	dr	P-Mathew Nebu	2011/05/20	projection	MM	size	A4	scale	1:1		
tolerance std	TOLERANCES UNLESS OTHERWISE SPECIFIED	eng	Kartha, Aravin	2021/09/23		←→	ecn no	ELX-I-42424-1				
ISO 406		chr	-	-				rel level	Released			
ISO 1101		appr	Kuriakose, San	2021/09/23	product family	METRAL 4000						
surface	linear	0.X	±0.3	Amphenol FCI	VERTICAL SIGNAL HDR 5 ROW			dwg no	55003		rev	P
ISO 1302		0.XX	±0.13		P.F. 30 POS. SPECIAL LOAD STD.							
	angular	0°	±2°		www.fci.com	cat. no.	Product - Customer Drw			sheet 3 of 4		

SPECIAL LOAD PATTERNS

PRODUCT #	ROW	PIN CODES
55003-X01002LF	E	03
	D	
	C	
	B	
	A	
	GND	02

PRODUCT #	ROW	PIN CODES
55003-X01005LF	E	01
	D	
	C	
	B	
	A	
	GND	

DIM A	PIN CODES
5.00	01
5.75	02
6.50	03
7.25	04

PRODUCT #	ROW	PIN CODES
55003-X01003LF	E	02
	D	
	C	
	B	
	A	
	GND	

PRODUCT #	ROW	PIN CODES
55003-X01004LF	E	02
	D	
	C	
	B	
	A	
	GND	NONE

spec ref -		dr P-Mathew Nebu	2011/05/20	projection 	MM 	size A4	scale 1:1
tolerance std ISO 406 ISO 1101	TOLERANCES UNLESS OTHERWISE SPECIFIED	eng Kartha, Aravin	2021/09/23			ecn no ELX-I-42424-1	
		chr -	-				
surface ISO 1302	linear	0.X	±0.3	product family METRAL 4000	rel level Released		
		0.XX	±0.13				
		0.XXX	±0.051				
	angular	0°	±2°	rev P			

Creo F.14:ELX-FCI:AC,REV F,2020-12-21