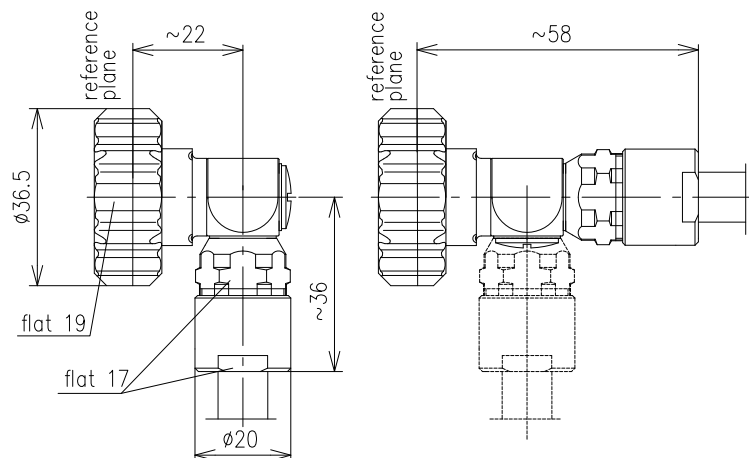


RIGHT ANGLE CABLE PLUG FOR RG 214/U, 393/U-TYPE 7-16



<b>Part number</b>	<b>BN 80 76 80</b>	
Connector type	7-16 plug	
Version	clamped straight and right angle mounting	
Impedance	50 Ω	
Frequency range	0 - 1 GHz	1 - 2 GHz
VSWR	≤ 1.15	≤ 1.2
Material and surface		
Inner conductor	copper alloy	silver-plated
Outer conductor	copper alloy	silver-plated
Other metal parts	copper alloy	bright nickel-plated
Insulation	PTFE	
Sealing	copper silicone rubber, EPDM, PUR	silver-plated
Degree of protection	IP68 (mated)	
Cable compatibility	RG 214/U, RG 393/U	
Standards	IEC 61169-4	
Installation instructions	M30610	
Weight	approx. 0.123 kg	
Included in delivery	installation instructions	
Delivery status	cable clamp attached separately	